

GENERAL NOTES:

1. ONLY SAFETY-RELATED AND PUBLIC NOTIFICATION SIGNS SPECIFIC TO ICON WATER ASSETS HAVE BEEN DETAILED IN ICON WATER'S "1300 SERIES" OF STANDARD DRAWINGS. GENERIC "OFF-THE-SHELF" SIGNS COMPLYING WITH THE RELEVANT AUSTRALIAN STANDARDS HAVE NOT BEEN DETAILED. SUCH SIGNS MAY BE PURCHASED DIRECTLY FROM ANY REPUTABLE MANUFACTURER OR SUPPLIER WITHOUT RESTRICTION IF SUCH SIGNS MEET THE DURABILITY AND INSTALLATION REQUIREMENTS (AS WELL AS THE DESIGN INTENT) OF ICON WATER'S "1300 SERIES" OF STANDARD DRAWINGS.
2. THE DESIGN, FABRICATION, INSTALLATION AND LOCATION OF ALL SITE SAFETY-RELATED SIGNS SHALL COMPLY WITH AS 1319 (AND AS/NZS 2416.1 FOR WATER SAFETY SIGNS).
3. THE DESIGN, FABRICATION, INSTALLATION AND LOCATION OF ALL FIRE EXTINGUISHER SIGNS SHALL COMPLY WITH AS 2444.
4. ALL ROAD SIGNS SHALL MEET "TRANSPORT CANBERRA AND COMMUNITY SERVICES" (TCCS) REQUIREMENTS AND SHALL COMPLY WITH AS 1743.
5. THE USE OF THE ICON WATER LOGO SHALL COMPLY WITH ICON WATER'S CORPORATE IDENTITY MANUAL. REQUIREMENTS CAN BE OBTAINED FROM THE ICON WATER COMMUNICATIONS TEAM.
6. COLOURS SHALL BE SPECIFIED USING THE PANTONE MATCHING SYSTEM (PMS) AS PER THE FOLLOWING TABLE:

COLOUR	PMS No.	APPLICATION
BLUE	299	ICON WATER LOGO
SNOW WHITE	11-0602	LETTERING AND BACKGROUND AS APPLICABLE
BLACK	BLACK HC	LETTERING
RED	186C	ANNULUS AND WARNING SYMBOLS AS APPLICABLE

7. ALL ICON WATER SPECIFIC SIGNS SHALL BE PRODUCED USING THE SCREEN PRINTING METHOD.
8. ALL SIGNPOST FASTENERS SHALL BE GRADE 316 STAINLESS STEEL. BOLTS AND NUTS SHALL BE M10 UNLESS NOTED OTHERWISE. ANTISEIZE COMPOUND TO BE USED ON ALL THREADS.
9. ALL SIGNS SHALL HAVE ROUNDED CORNERS.
10. HORIZONTAL BRACING RAILS SHALL BE POSITIONED AT NO GREATER THAN 600 mm CENTRES. FOR EXAMPLE, THREE BRACING RAILS ARE REQUIRED FOR A SIGN WITH A VERTICAL DIMENSION OF 900 mm (AT 450 mm CENTRES).
11. SIGNS MAY BE FIXED TO PERMANENT STRUCTURES SUCH AS FENCES AND WALLS IN LIEU OF SIGNPOSTS AS APPLICABLE. ALL FASTENERS SHALL BE GRADE 316 STAINLESS STEEL.
12. THE CONCRETE FOOTING AND SIGNPOST EMBEDMENT DETAILS SHOWN IN ICON WATER'S "1300 SERIES" OF DRAWINGS ASSUME THAT THE FOOTING IS CAST IN UNDISTURBED GROUND WITH A SOIL CLASSIFICATION OF "MEDIUM" OR "SOUND". FOOTINGS IN "POOR" SOIL CONDITIONS SHALL HAVE THE FOOTING DEPTH INCREASED TO 700 mm (WITH NO CHANGE IN FOOTING DIAMETER).
13. ALL SIGNPOST FOOTINGS SHALL BE OF N20 PLAIN CONCRETE MINIMUM. HIGHER COMPRESSIVE STRENGTHS MAY BE SUBSTITUTED FOR CONVENIENCE IF REQUIRED.
14. REFER TO SD-9302 FOR SOIL CLASSIFICATION DEFINITIONS.
15. REFER TO SD-9100 FOR STEELWORK AND GENERAL FABRICATION NOTES.

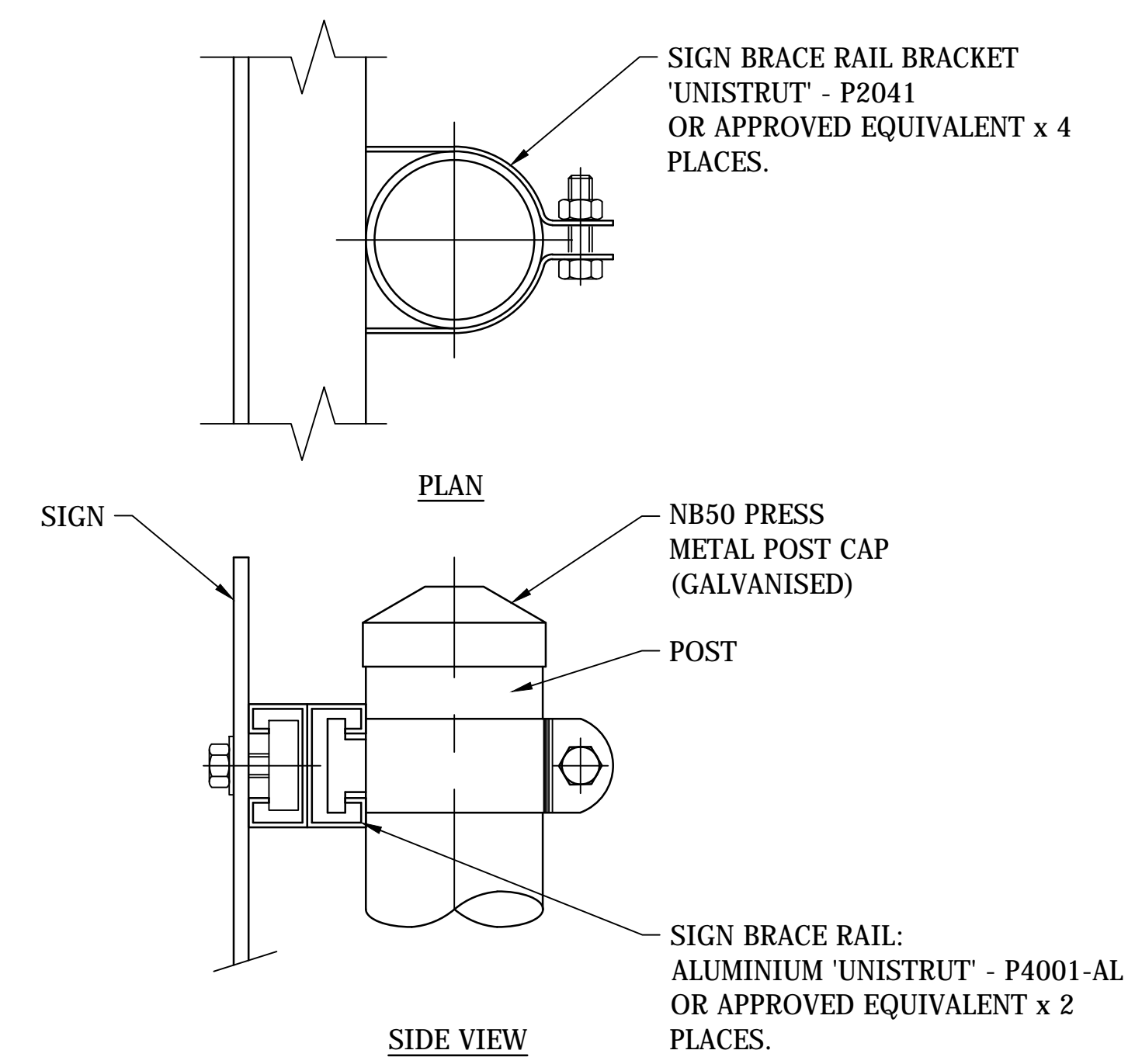
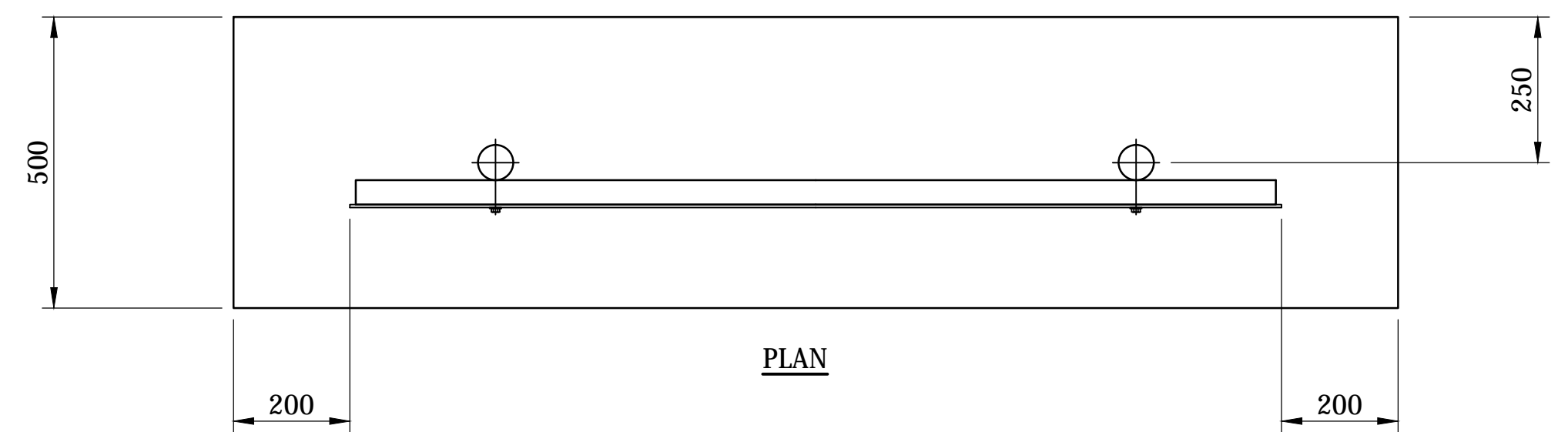
DAM	×	RES	×	SPS	×
BWS	×	WAT	×	STP	×
WTP	×	SEW	×		
WPS	×	REC	×		
ASSET AREA APPLICABILITY					



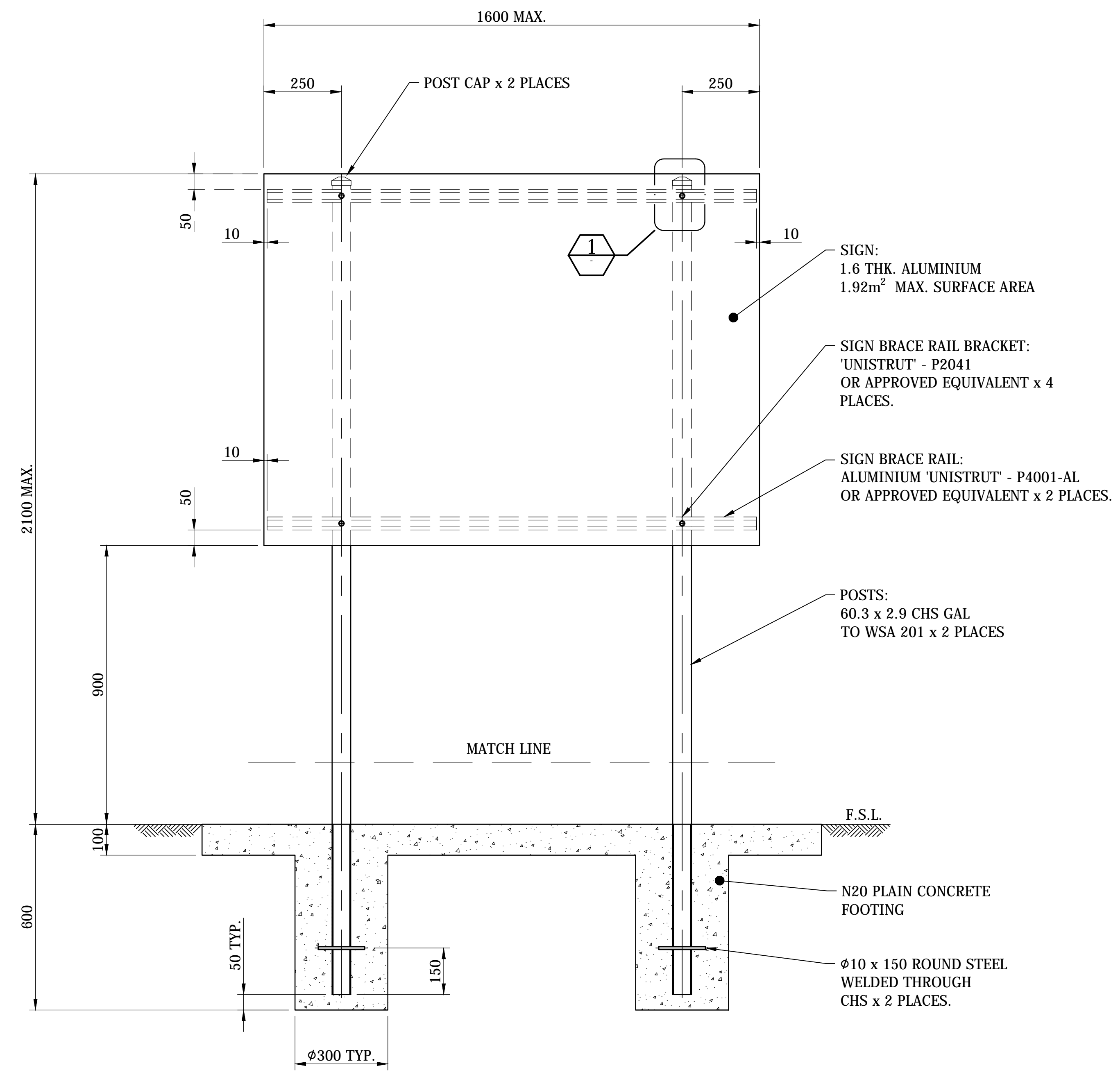
STANDARD DRAWING
SITE SIGNAGE AND SIGNPOSTS
NOTES

DRAWING STATUS	
Current	
SD-1300-D	
A1	ISSUE A
<small>© Icon Water. 2017</small>	

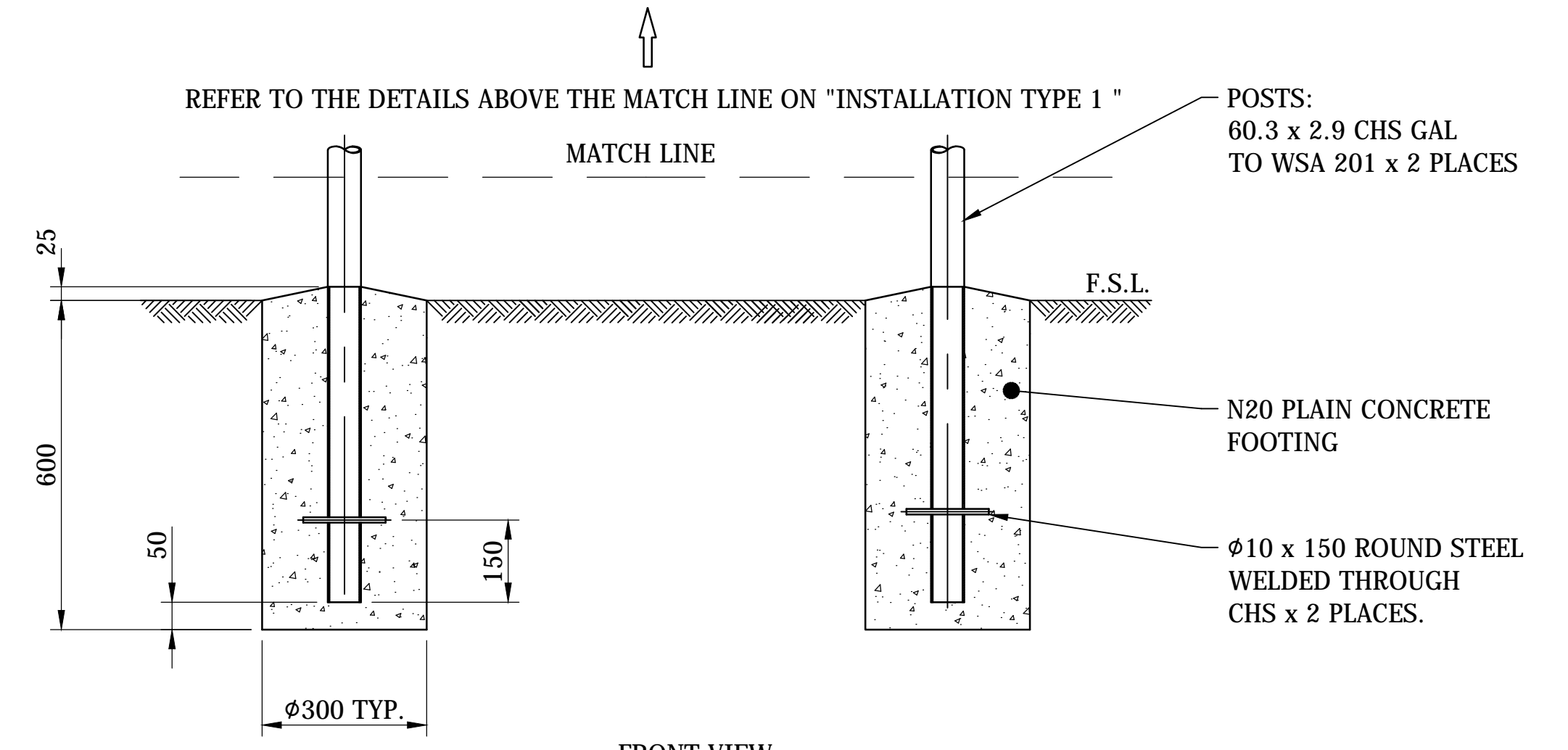
No.	ISSUE	DATE	DRAWN	CHECKED	AUTHORISED
A	INITIAL ISSUE	15/06/2018	C. Dickson	K. Danenbergsons	D. Eager



DETAIL 1
TYPICAL SIGN MOUNTING DETAILS
SCALE 1 : 2



FRONT VIEW
(BURIED DETAILS SHOWN IN SECTION)
INSTALLATION TYPE 1: SIGNS WITH TWIN POSTS IN GRASSED AREAS
SCALE 1 : 10



FRONT VIEW
(BURIED DETAILS SHOWN IN SECTION)
INSTALLATION TYPE 2: SIGNS WITH TWIN POSTS IN NON-GRASSED AREAS
SCALE 1 : 10

- NOTES:**
- REFER TO DRAWING SD-1300 FOR ALL NOTES.

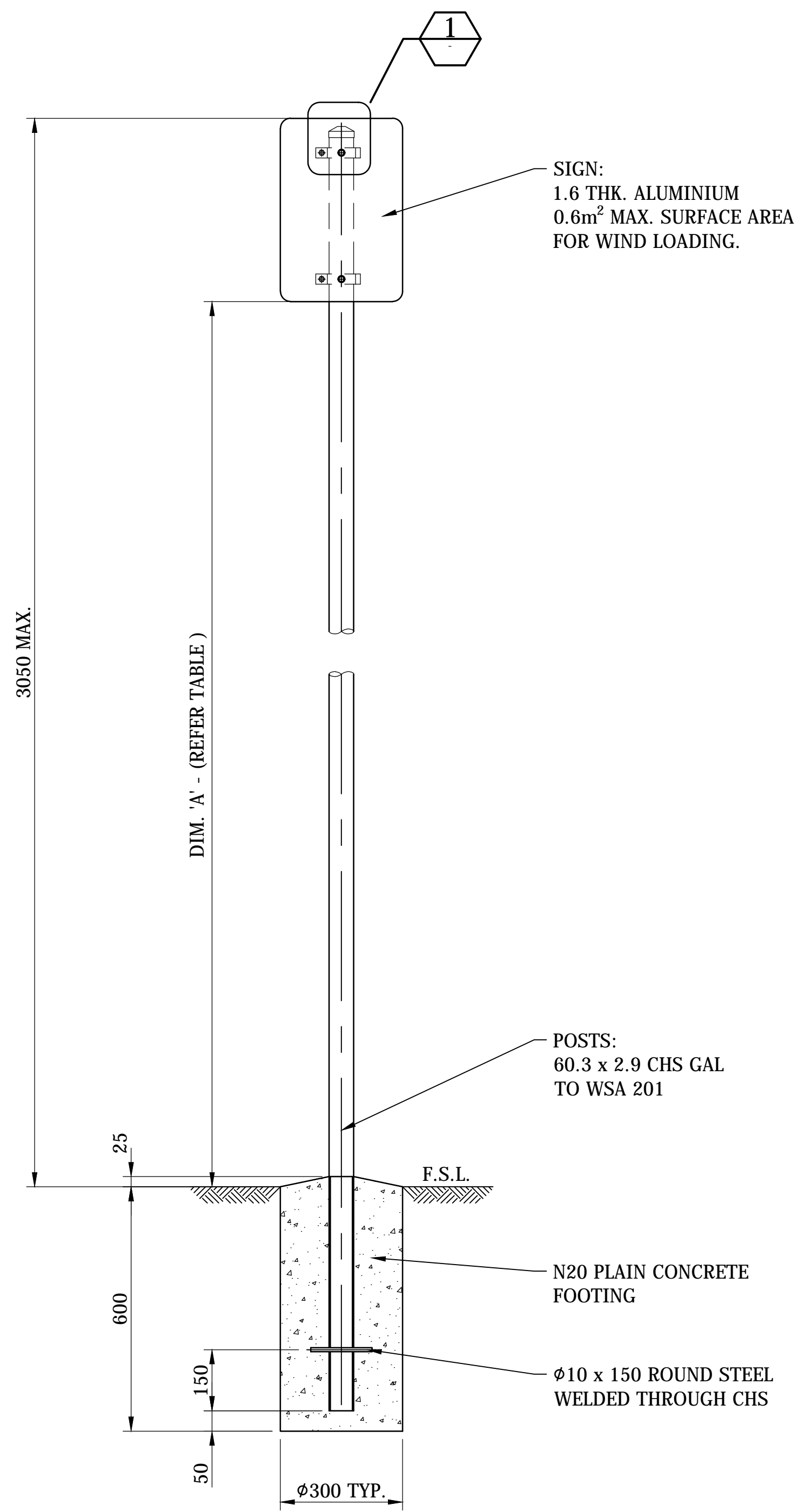
No.	ISSUE	DATE	DRAWN	CHECKED	AUTHORISED
A	INITIAL ISSUE	15/06/2017	C. Dickson	K. Danenbergson	D. Eager
B	MATERIAL UPDATES	10/09/2018	S. Essery	K. Danenbergson	C. Patrick

ASSET AREA APPLICABILITY				
DAM	RES	SPS		
BWS	WAT	STP		
WTP	SEW			
WPS	REC			



STANDARD DRAWING
SIGNS WITH TWIN POSTS
TYPICAL ARRANGEMENTS AND DETAILS

DRAWING STATUS	
Current	
SD-1301-D	
A1	ISSUE B



SIGN:
1.6 THK. ALUMINIUM
0.6m² MAX. SURFACE AREA
FOR WIND LOADING.

POSTS:
60.3 x 2.9 CHS GAL
TO WSA 201

N20 PLAIN CONCRETE
FOOTING

Ø10 x 150 ROUND STEEL
WELDED THROUGH CHS

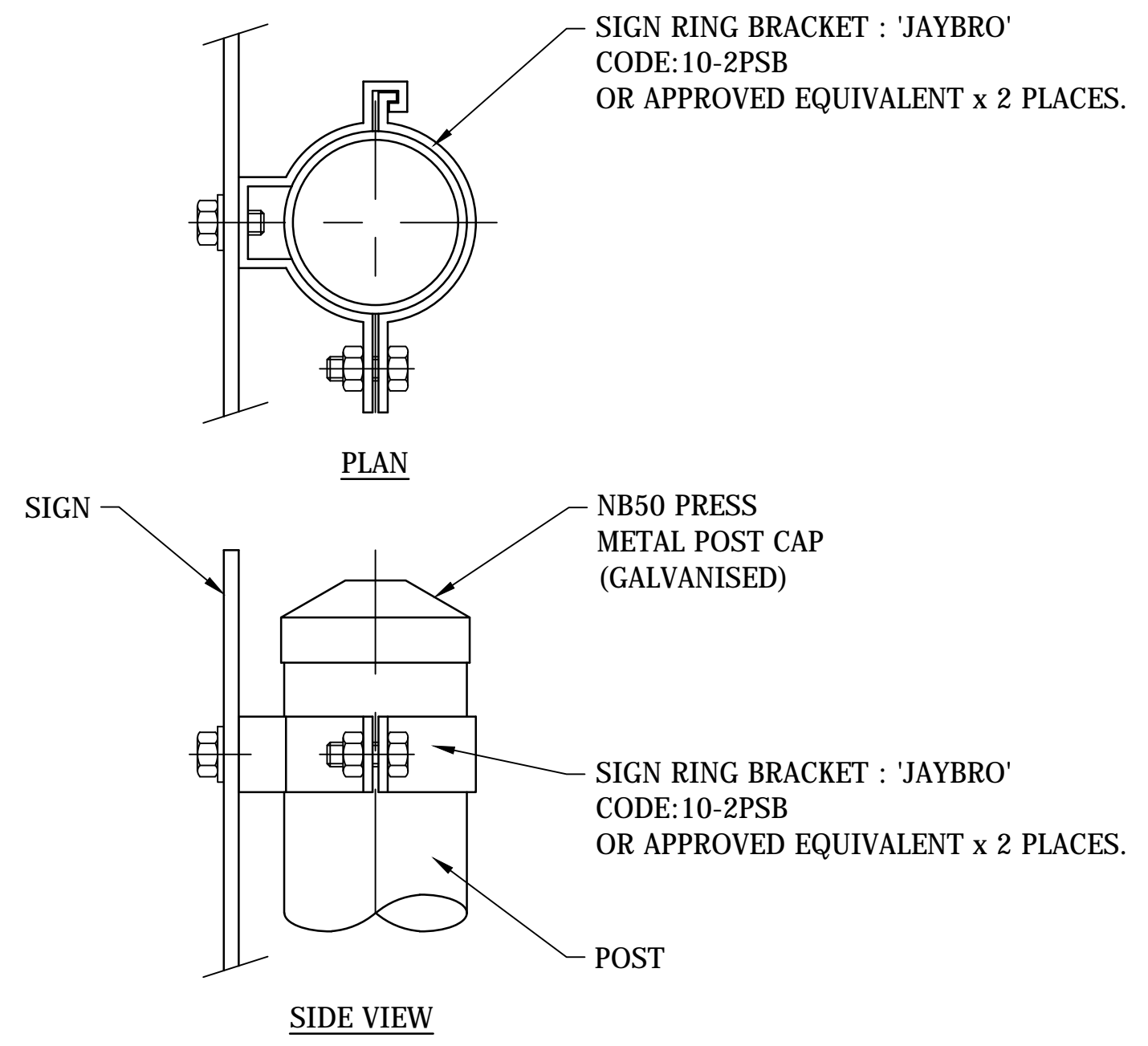
FRONT VIEW
(BURIED DETAILS SHOWN IN SECTION)

INSTALLATION TYPE 3: SIGNS WITH SINGLE POST IN NON-GRASSED AREA
SCALE 1:10

SIGN POST HEIGHT	
LOCATION	DIMENSION 'A'
PEDESTRIAN & CYCLIST AREA	2050mm (NOTES 2, 3 & 4)
AWAY FROM PEDESTRIAN & CYCLIST AREAS	1500mm (NOTES 2, 3 & 4)

NOTES:

- REFER TO DRAWING SD-1300 FOR ALL NOTES.



DETAIL 1
TYPICAL SIGN MOUNTING DETAILS
SCALE 1:2

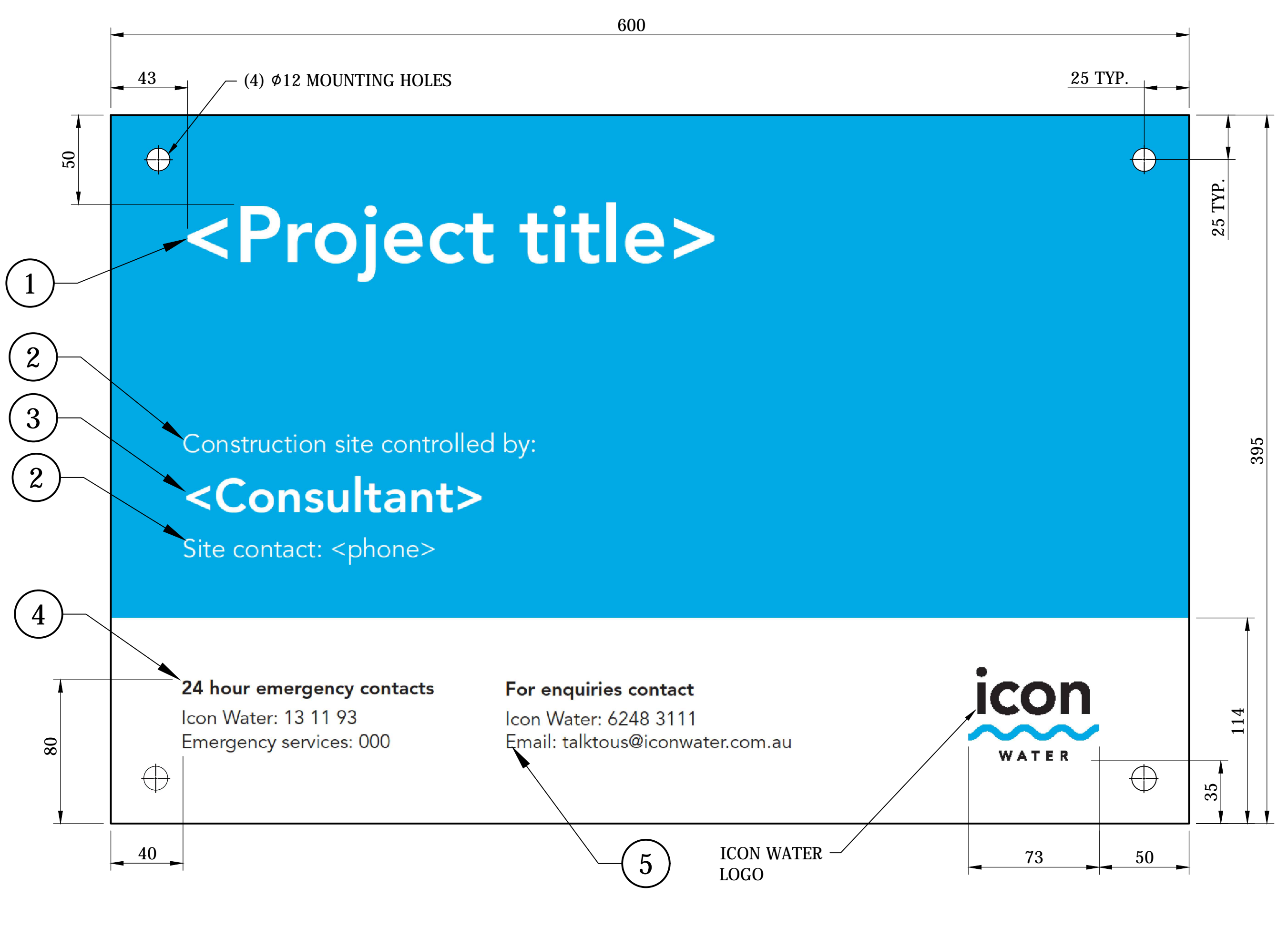
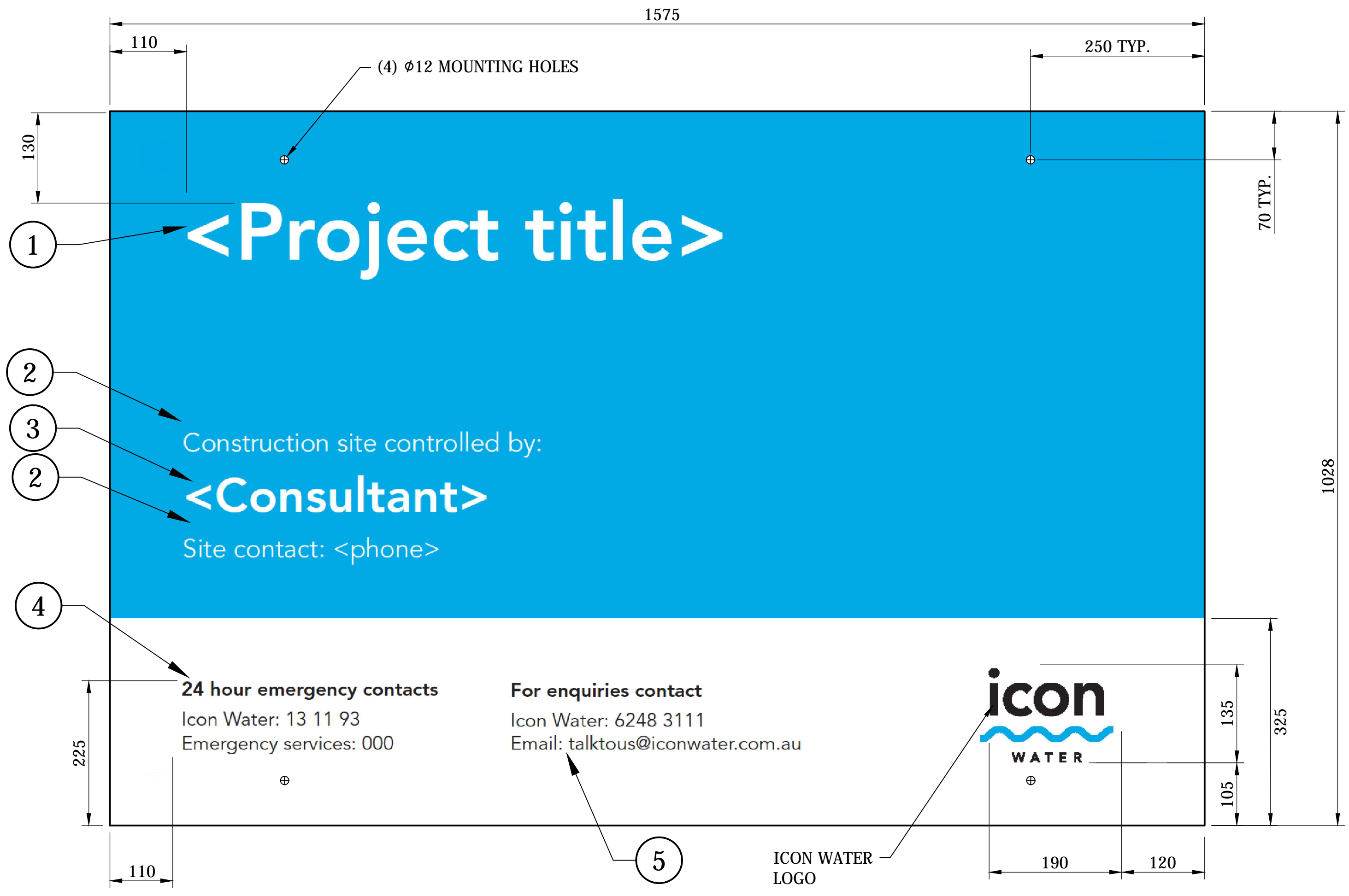
DAM	RES	SPS	
BWS	WAT	STP	
WTP	SEW		
WPS	REC		



STANDARD DRAWING
SIGNS WITH SINGLE POST
TYPICAL ARRANGEMENT AND DETAILS

DRAWING STATUS	
Current	
SD-1302-D	
A1	ISSUE A

No.	ISSUE	DATE	DRAWN	CHECKED	AUTHORISED
A	INITIAL ISSUE	15/06/2028	C. Dickson	K. Danenbergson	D. Eager



STANDARD PROJECT SIGN - LARGE

SCALE 1 : 5

MATERIAL: 1.6 mm ALUMINIUM
COATING: N/A
FINISH COLOUR: NOTE 1
MASS: 7.3 kg APPROX.

FONT	DESCRIPTION
1	AVENIR LT st 85 HEAVY, 328 pt
2	AVENIR LT st 45 BOOK, 105 pt
3	AVENIR LT st 85 HEAVY, 195 pt
4	AVENIR LT st 85 HEAVY, 82 pt
5	AVENIR LT st 45 BOOK, 82 pt

ITEM	AMDT.
PN130401	

STANDARD PROJECT SIGN - SMALL

SCALE 1 : 2

MATERIAL: 1.6 mm ALUMINIUM
COATING: N/A
FINISH COLOUR: NOTE 1
MASS: 1.1 kg APPROX.

FONT	DESCRIPTION
1	AVENIR LT st 85 HEAVY, 125 pt
2	AVENIR LT st 45 BOOK, 40 pt
3	AVENIR LT st 85 HEAVY, 75 pt
4	AVENIR LT st 85 HEAVY, 30 pt
5	AVENIR LT st 45 BOOK, 30 pt

ITEM	AMDT.
PN130402	

NOTES:

- SIGNAGE COLOURS SHALL BE:
 - BLUE = PMS 299 (CMYK C:86 M:8 Y:0 K:0 / RGB R:0, G:163, B:224)
 - WHITE = PMS 11-0602 (CMYK C:0 M:0 Y:0 K:0 / RGB R:255, G:255, B:255)
 - BLACK = PMS BLACK (CMYK C:0 M:0 Y:0 K:100 / RGB: 0, G:0, B:0)
- VISIT WWW.ICONWATER.COM.AU/DOWNLOADS TO ACCESS THE ARTWORK FILES OR THE ICON WATER LOGO IMAGE FILE.
- CONTRACTORS MUST ENSURE THAT THE SIGNS ARE INSTALLED SUCH THAT THEY ARE CLEARLY VISIBLE FROM OUTSIDE OF THE WORKPLACE.
- ONE LARGE SIGN IS TO BE INSTALLED PER SITE, UNLESS DIRECTED OTHERWISE BY ICON WATER. SMALL SIGNS SHALL BE INSTALLED ON A PROJECT SPECIFIC BASIS.

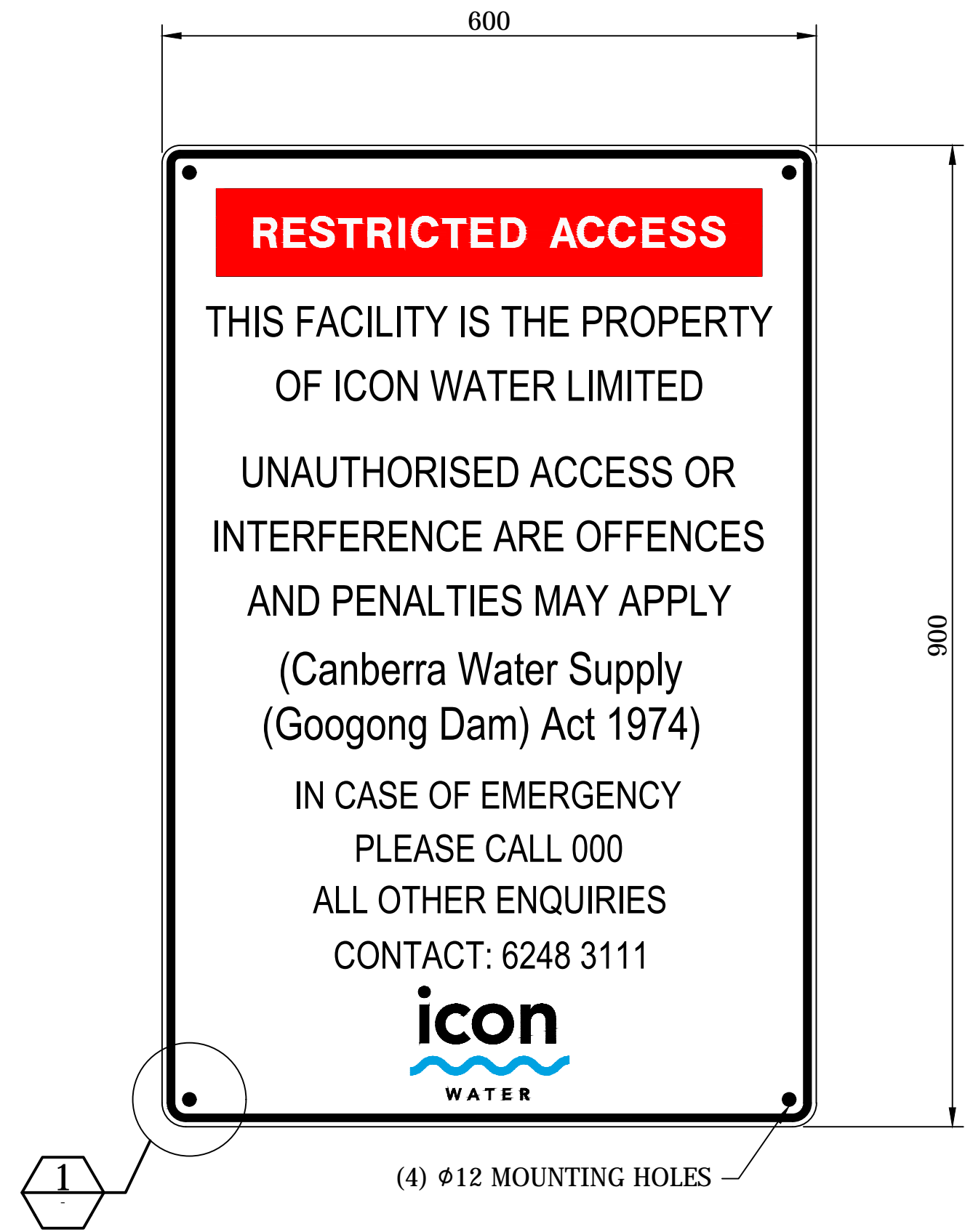
No.	ISSUE	DATE	DRAWN	CHECKED	AUTHORISED
A	INITIAL ISSUE	15/06/2018	C. Dickson	K. Danenbergson	D. Eager
B	SIGNAGE FONTS, COLOURS AND DIMS UPDATED	3/07/2019	S. Esery	K. Danenbergson	C. Patrick

ASSET AREA APPLICABILITY					
DAM	RES	SPS			
BWS	WAT	STP			
WTP	SEW				
WPS	REC				



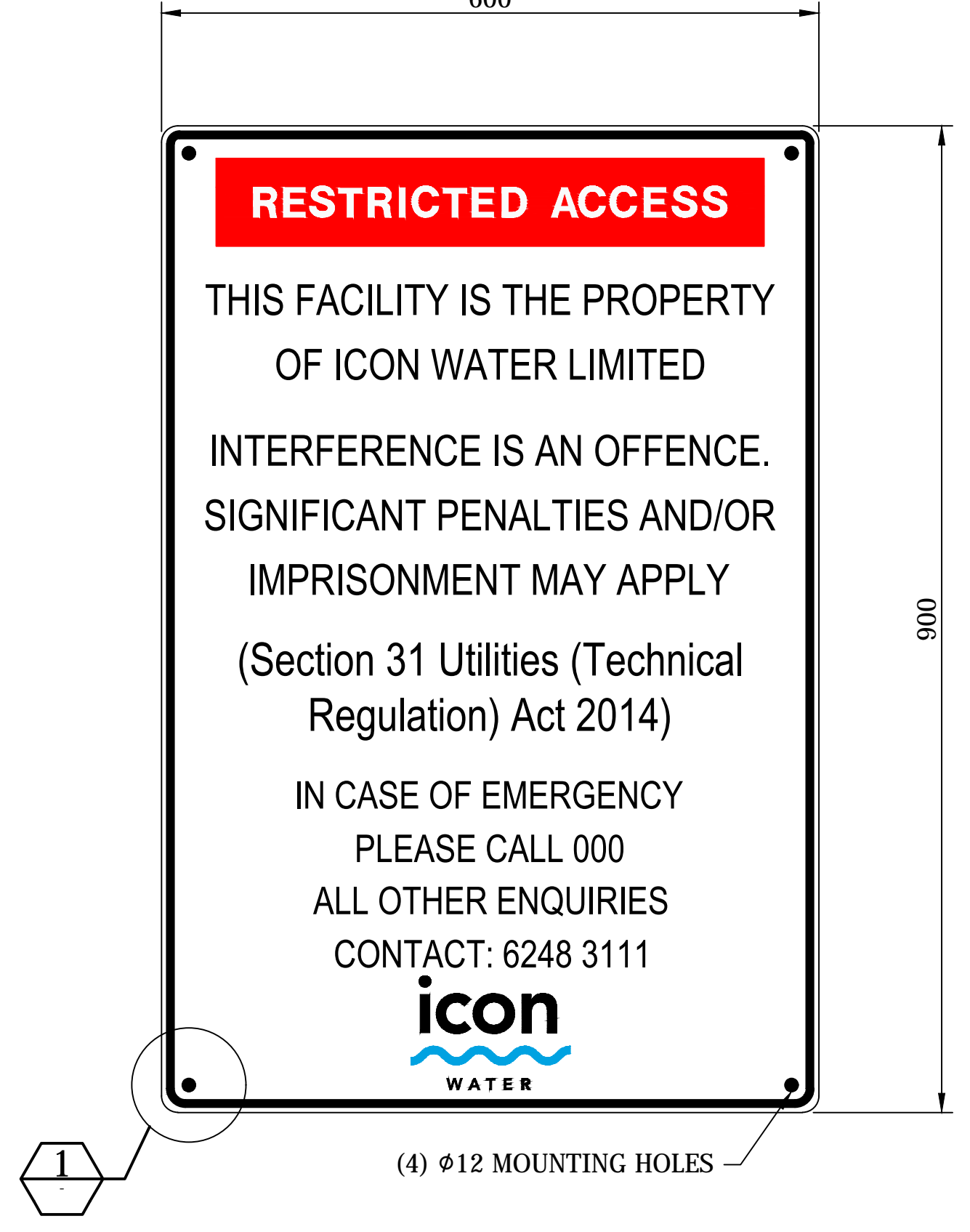
STANDARD DRAWING
PROJECT SIGNS - LARGE AND SMALL

DRAWING STATUS	
Current	
SD-1304-D	
A1	ISSUE B
© Icon Water. 2017	



MATERIAL: 1.6 mm ALUMINIUM
 COATING: N/A
 FINISH COLOUR: N/A
 MASS: 2.5 kg APPROX.

ITEM	AMDT.
PN130501	



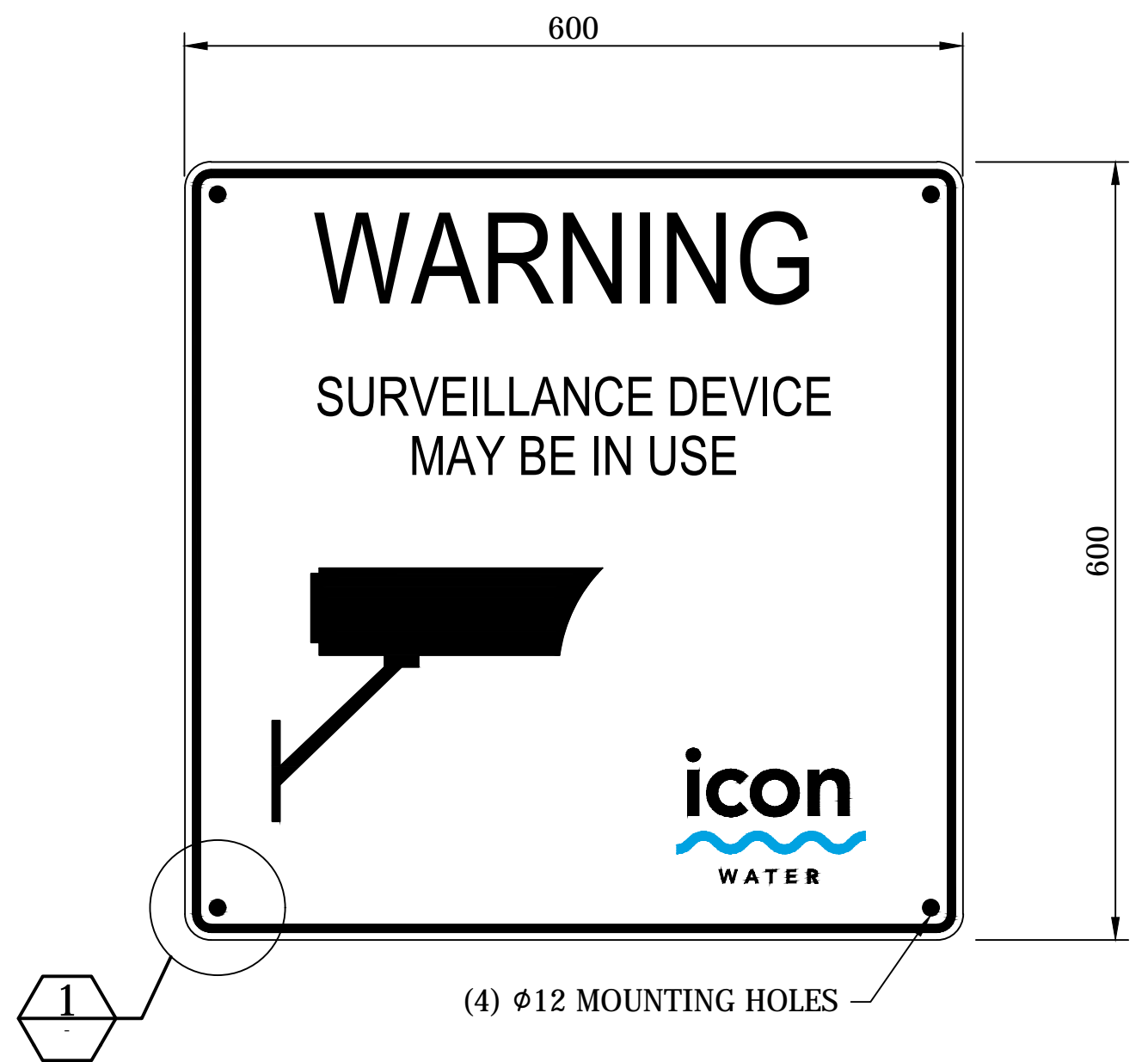
MATERIAL: 1.6 mm ALUMINIUM
 COATING: N/A
 FINISH COLOUR: N/A
 MASS: 2.5 kg APPROX.

ITEM	AMDT.
PN130502	



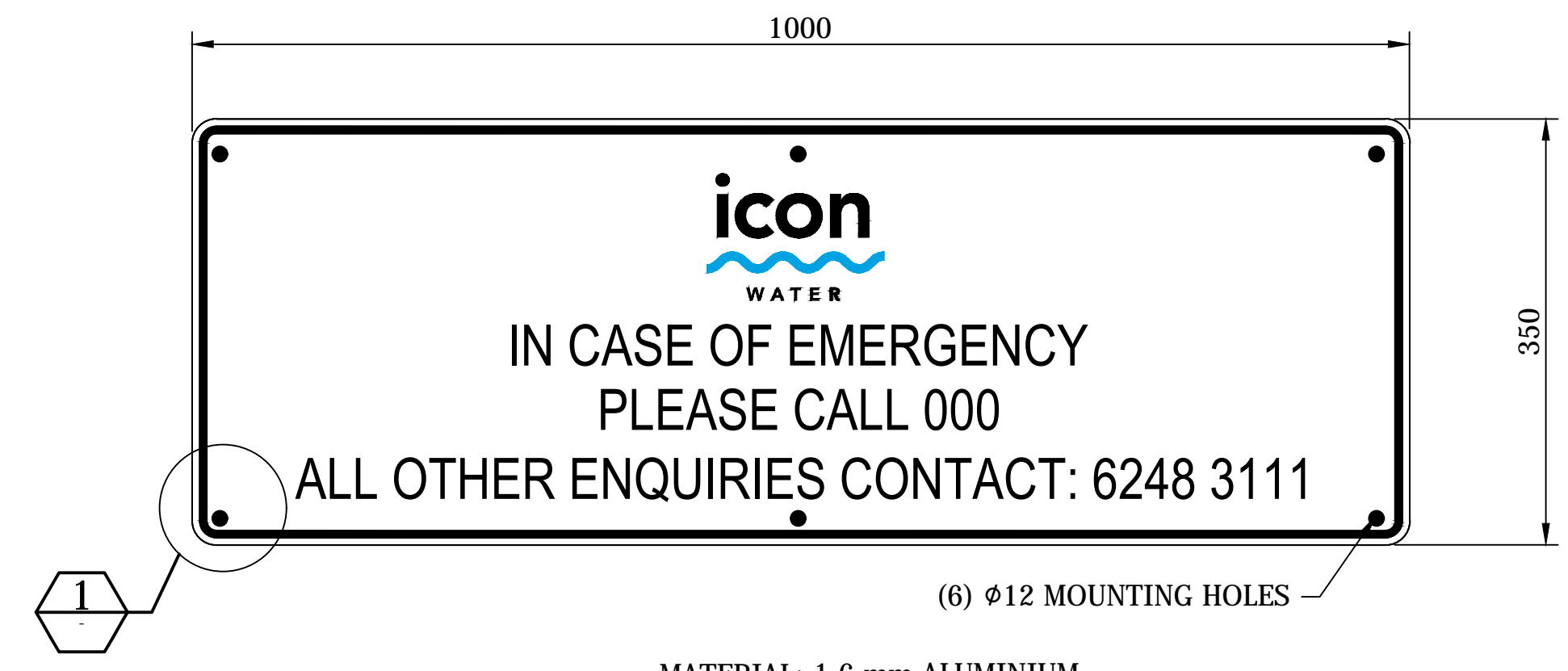
MATERIAL: 1.6 mm ALUMINIUM
 COATING: N/A
 FINISH COLOUR: N/A
 MASS: 1.2 kg APPROX.

ITEM	AMDT.
PN130503	



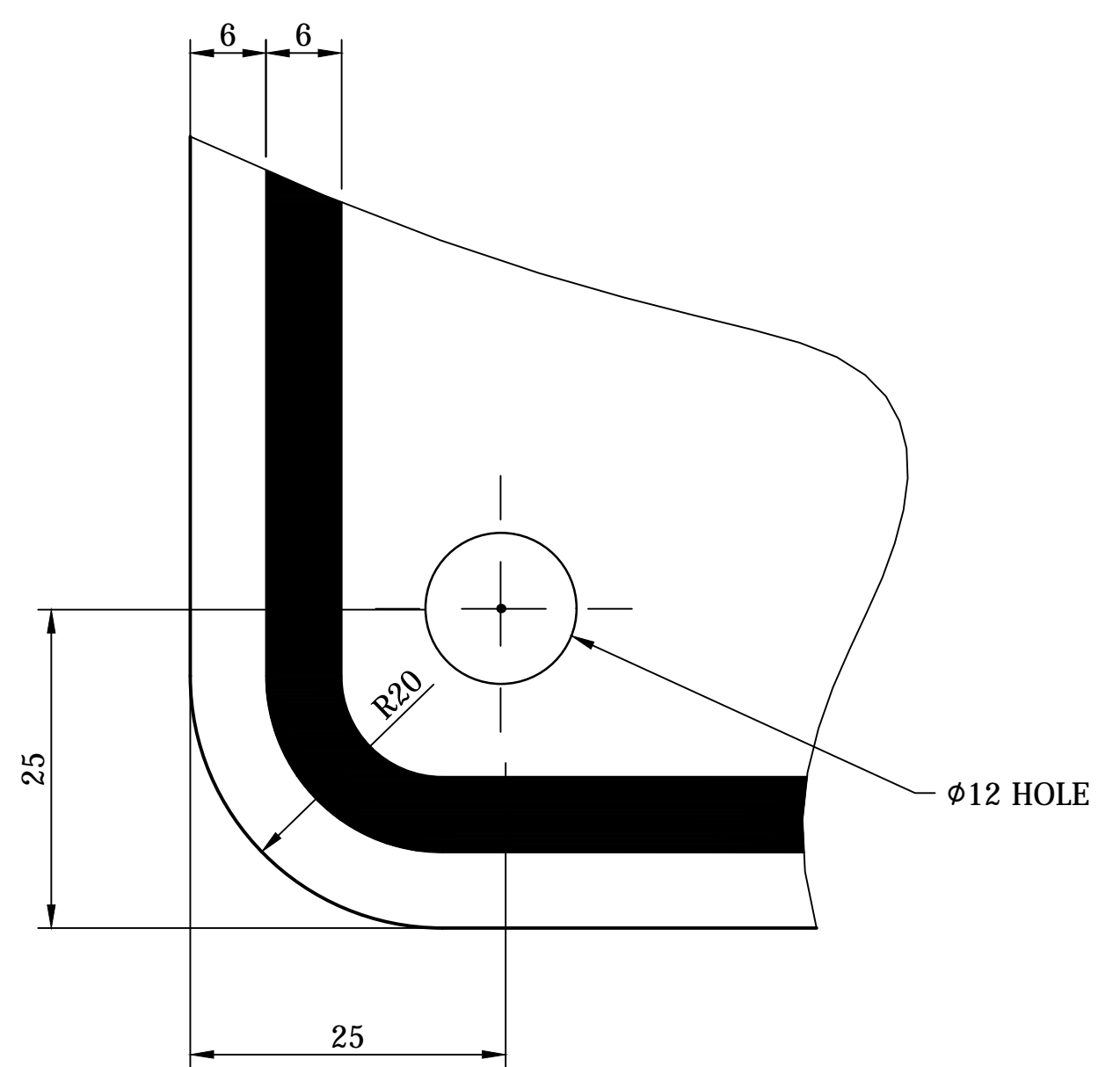
MATERIAL: 1.6 mm ALUMINIUM
 COATING: N/A
 FINISH COLOUR: N/A
 MASS: 1.6 kg APPROX.

ITEM	AMDT.
PN130504	



MATERIAL: 1.6 mm ALUMINIUM
 COATING: N/A
 FINISH COLOUR: N/A
 MASS: 1.4 kg APPROX.

ITEM	AMDT.
PN130505	



DETAIL 1
 TYPICAL SIGN MOUNTING HOLE

ASSET AREA APPLICABILITY			
DAM	RES	SPS	
BWS	WAT	STP	
WTP	SEW		
WPS	REC		



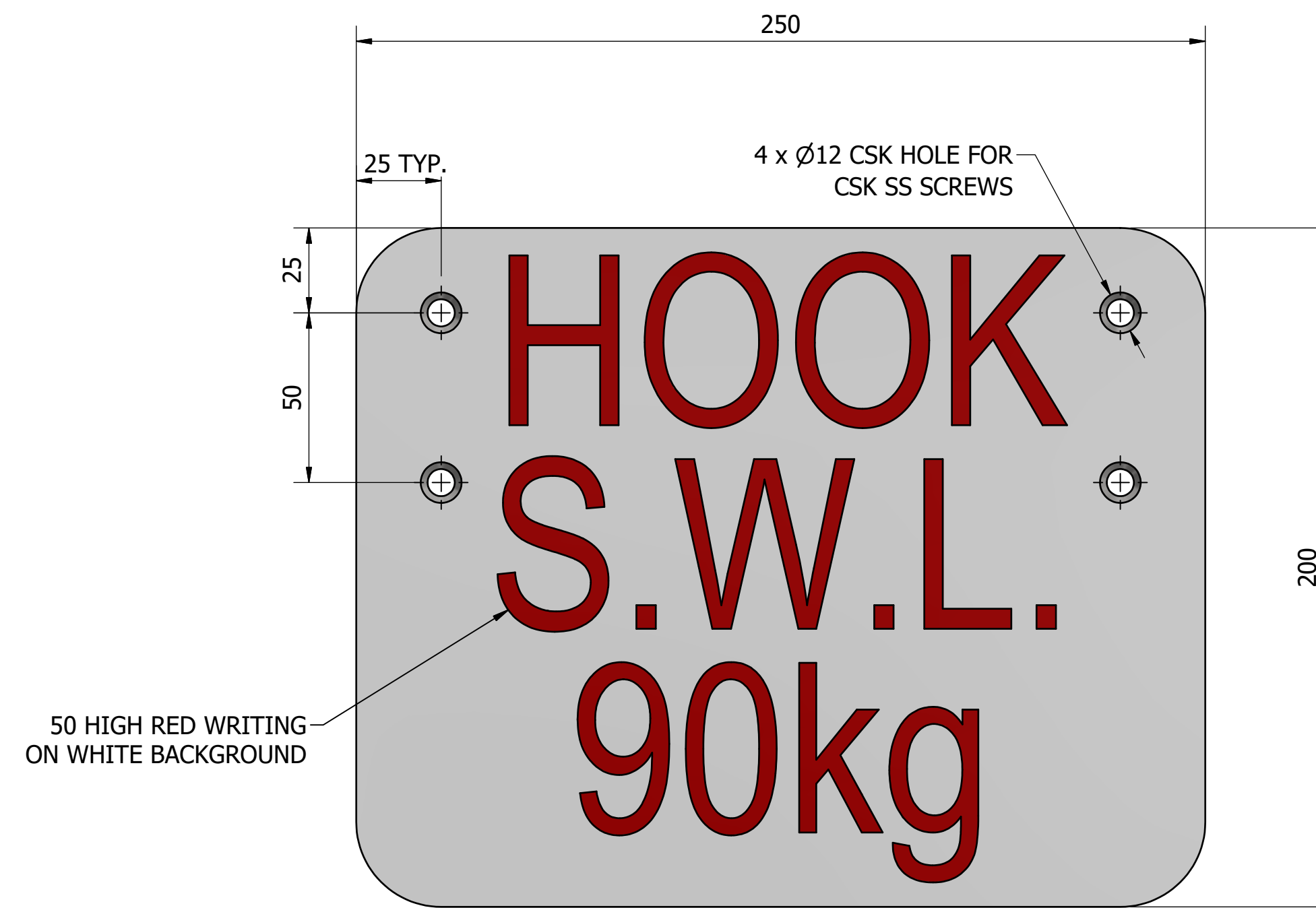
STANDARD DRAWING
 RESTRICTED ACCESS, SURVEILLANCE AND EMERGENCY SIGNS

DRAWING STATUS	
Current	
SD-1305-D	
A1	ISSUE B

No.	ISSUE	DATE	DRAWN	CHECKED	AUTHORISED
A	INITIAL ISSUE	15/06/2018	C. Dickson	K. Danenbergsons	D. Eager
B	SIGNAGE WORDING & ITEM INFORMATION UPDATED	12/03/2019	S. Essey	K. Danenbergsons	D. Eager



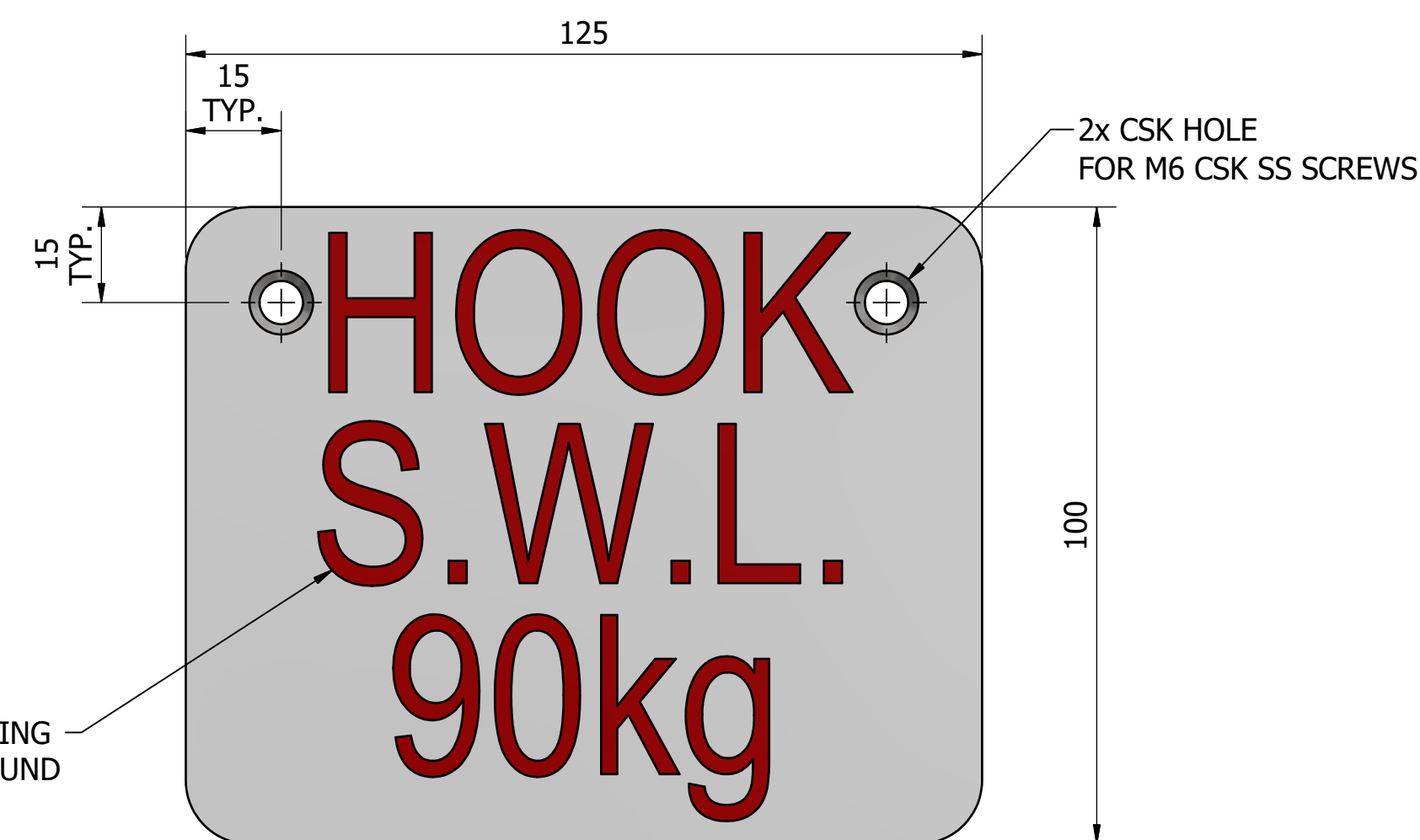
MATERIAL: 3.0 mm 316 GRADE STAINLESS STEEL
 COATING: N/A
 FINISH COLOUR: N/A
 MASS: 2 kg



NOTE: "90 kg" IS INDICATIVE ONLY. ACTUAL SAFE WORKING LOAD IS TO BE PROVIDED FOR THE SPECIFIC APPLICATION.

MATERIAL: 3.0 mm 316 GRADE STAINLESS STEEL
 COATING: N/A
 FINISH COLOUR: N/A
 MASS: 2 kg

ITEM	AMDT.
PN130602	



NOTE: "90 kg" IS INDICATIVE ONLY. ACTUAL SAFE WORKING LOAD IS TO BE PROVIDED FOR THE SPECIFIC APPLICATION.

MATERIAL: 1.6 mm 316 GRADE STAINLESS STEEL
 COATING: N/A
 FINISH COLOUR: N/A
 MASS: 1 kg

ITEM	AMDT.
PN130603	

DAM	<input checked="" type="checkbox"/>	RES	<input checked="" type="checkbox"/>	SPS	<input checked="" type="checkbox"/>
BWS	<input checked="" type="checkbox"/>	WAT	<input checked="" type="checkbox"/>	STP	<input checked="" type="checkbox"/>
WTP	<input checked="" type="checkbox"/>	SEW	<input checked="" type="checkbox"/>		
WPS	<input checked="" type="checkbox"/>	REC	<input checked="" type="checkbox"/>		
ASSET AREA APPLICABILITY					

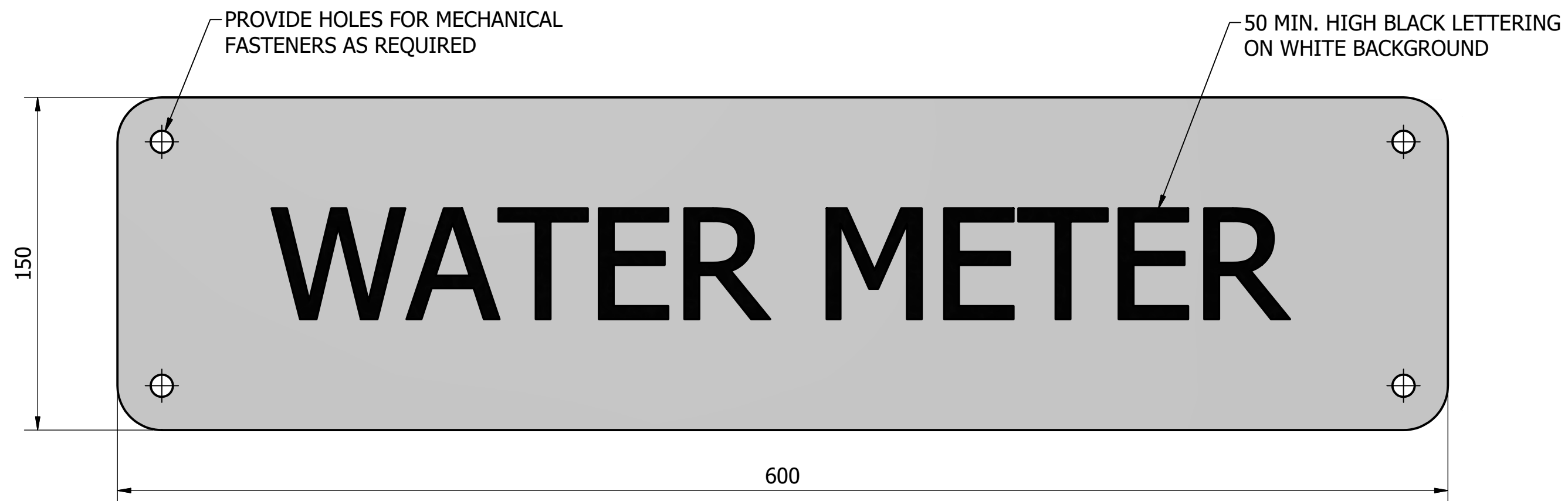


STANDARD DRAWING
 WARNING SIGNS

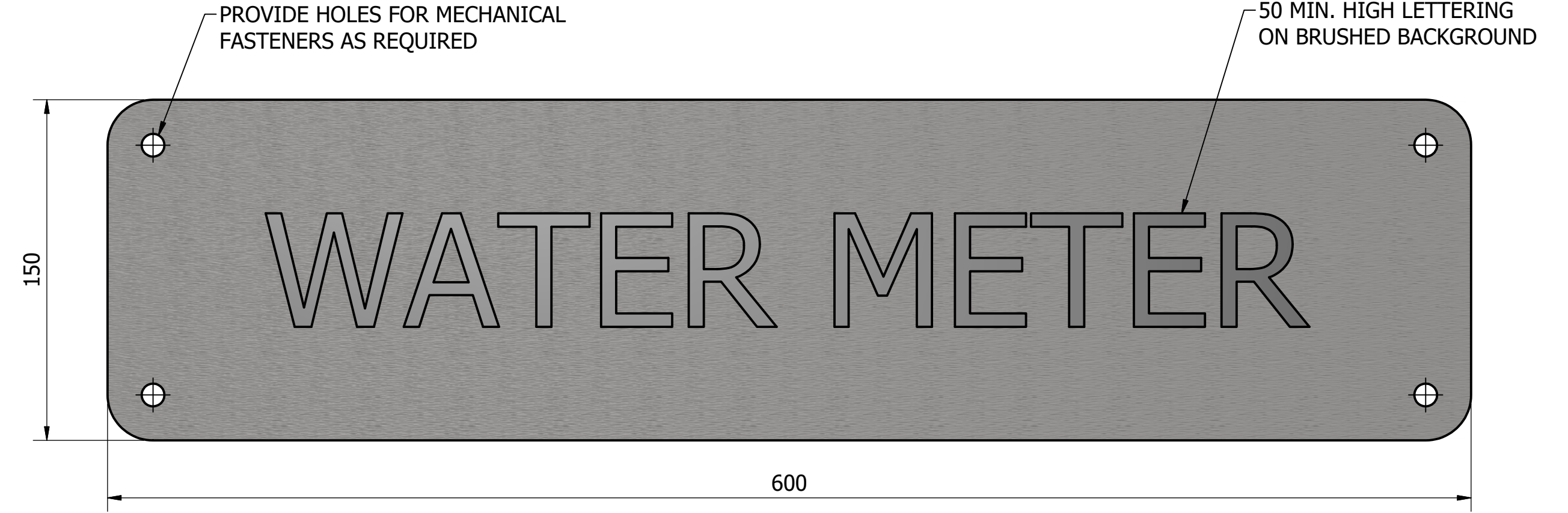
DRAWING STATUS		Current
SD-1306-D		ISSUE A
A1	© Icon Water 2017	

ITEM	AMDT.
PN130601	

No.	ISSUE	DATE	DRAWN	CHECKED	AUTHORISED
A	INITIAL ISSUE	15/06/2018	S. Essery	K. Danenbergsons	D. Eager



MATERIAL: 1.6 mm ALUMINIUM
 COATING: N/A
 FINISH COLOUR: BLACK LETTERING ON WHITE BACKGROUND
 MASS: 1 kg



MATERIAL: 1.6 mm 316 STAINLESS STEEL
 COATING: N/A
 FINISH COLOUR: BRUSHED WITH LETTERING PERMANENTLY INSCRIBED
 MASS: 1 kg

ITEM	AMDT.
PN130701	

ITEM	AMDT.
PN130702	

- NOTES:**
1. THE DESIGNER IS FREE TO CHOOSE THEIR PREFERRED SIGN DESIGN TO MATCH BUILDING AESTHETICS.
 2. SIGNS ARE TO BE SECURED IN PLACE WITH MECHANICAL FIXINGS e.g RIVETTS OR SCREWS.

No.	ISSUE	DATE	DRAWN	CHECKED	AUTHORISED
A	INITIAL ISSUE	25/06/2019	S. Essery	K. Danenbergsons	C. Patrick

ASSET AREA APPLICABILITY			
DAM	RES	SPS	
BWS	WAT	X	STP
WTP	SEW		
WPS	REC		



STANDARD DRAWING
 METERING SIGN

DRAWING STATUS	
Current	
SD-1307-D	
A1	ISSUE A
© Icon Water 2017	

A

B

C

D

E

F

G

H

A

B

C

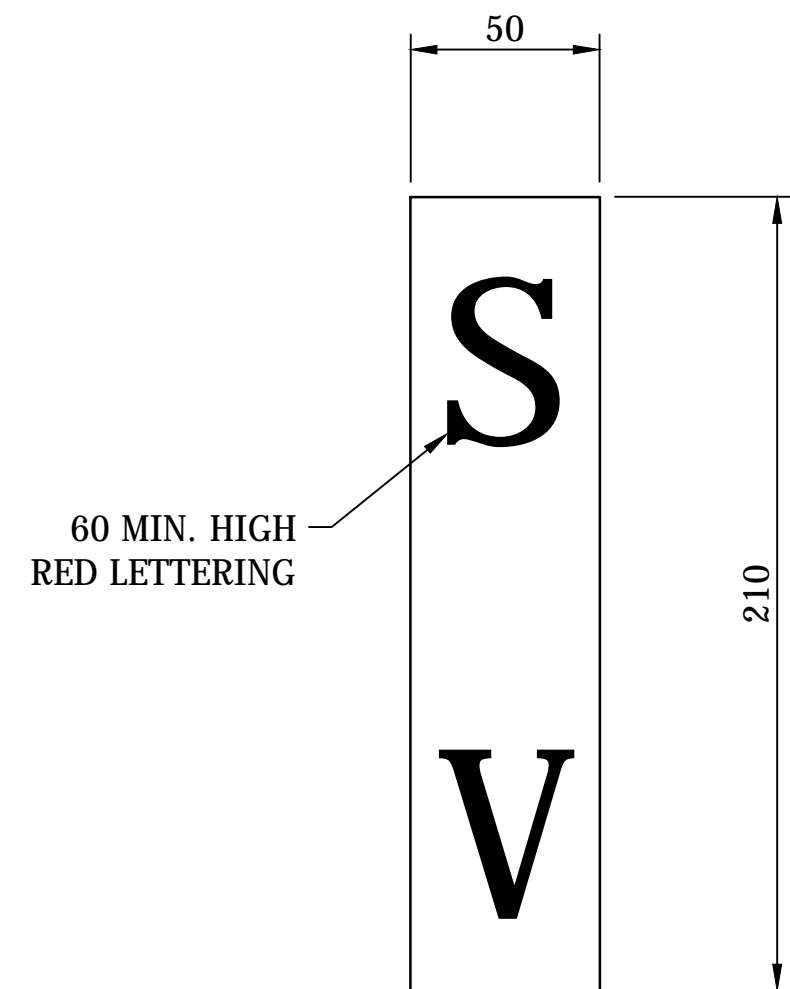
D

E

F

G

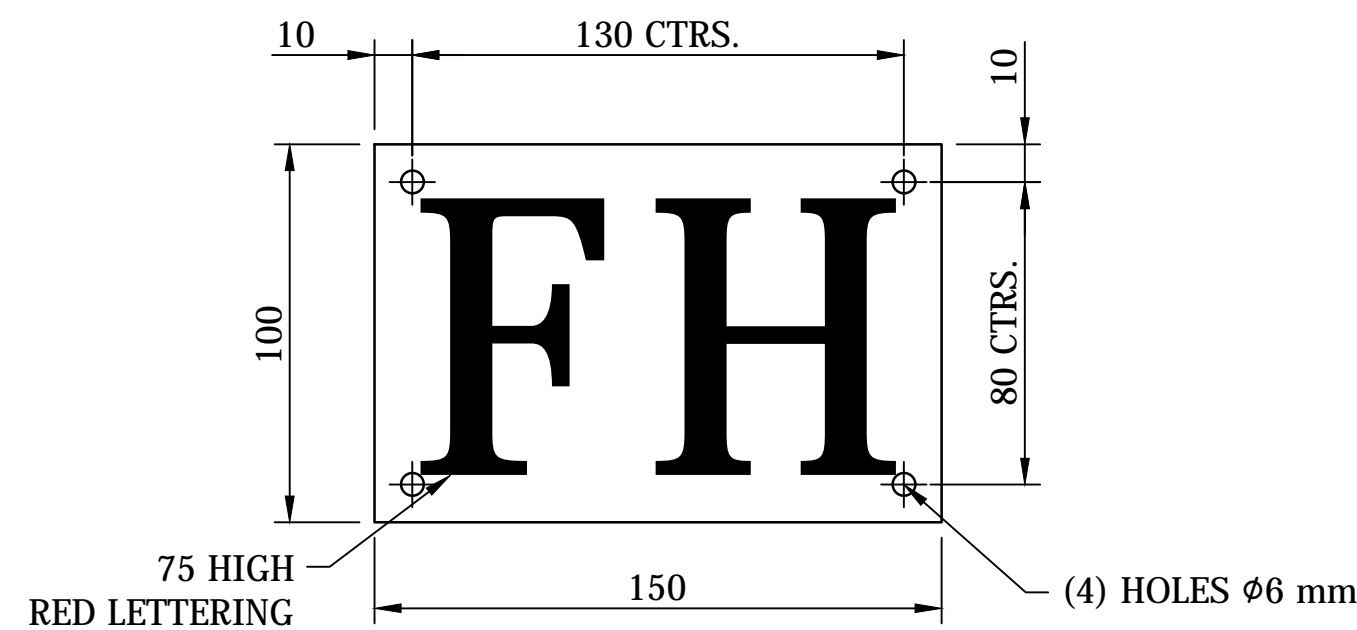
H



MATERIAL: REFLECTIVE ADHESIVE VINYL
COATING: N/A
FINISH COLOUR: CLASS 1 , WHITE REFLECTIVE BACKGROUND
MASS: N/A

MARKER POST LABEL

ITEM	AMDT.
PN133001	B



MATERIAL: 1.6 mm THICK ALUMINIUM
COATING: N/A
FINISH COLOUR: CLASS 1 , WHITE REFLECTIVE BACKGROUND
MASS: N/A

KERB MARKER LABEL

ITEM	AMDT.
PN133002	B

No.	ISSUE	DATE	DRAWN	CHECKED	AUTHORISED
A	INITIAL ISSUE	15/06/2018	C. Dickson	K. Danenbergsons	D. Eager
B	TEXT HEIGHT DIMENSIONS ADDED	11/12/2018	S. Essery	K. Danenbergsons	C. Patrick

TABLE 1: MARKER ABBREVIATIONS/IDENTIFIERS

ABBREV.	DESCRIPTION
AV	AIR VALVE - SINGLE
ALT	ALTITUDE VALVE - ALL TYPES
BAV	BACKUP ALTITUDE VALVE - ALL TYPES
BVR	BURIED VERTICAL RISER
DCV	DOUBLE CHECK VALVE
DAV	DOUBLE AIR VALVE
FH	FIRE HYDRANT
FAV	FLOW RATE ALTITUDE COMBINATION VALVE - ALL TYPES
FRCV	FLOW RATE CONTROL VALVE - ALL TYPES
OCV	OUTLET CONTROL GLOBE VALVE
PRV	PRESSURE REDUCING GLOBE VALVE
PCV	PUMP CONTROL GLOBE VALVE
PSV	PRESSURE SUSTAINING GLOBE VALVE
RPZD	RPZ VALVE
SCV	SCOUR VALVE
SRM	SEWER RISING MAIN
SV	STOP VALVE
WM	WATER MAIN

TABLE 2: MARKER POST COLOURS

SERVICE	MARKING POST COLOUR
POTABLE WATER	BLUE
SEWAGE	CREAM
RAW WATER	GREEN
RECYCLED WATER	LILAC

NOTES:

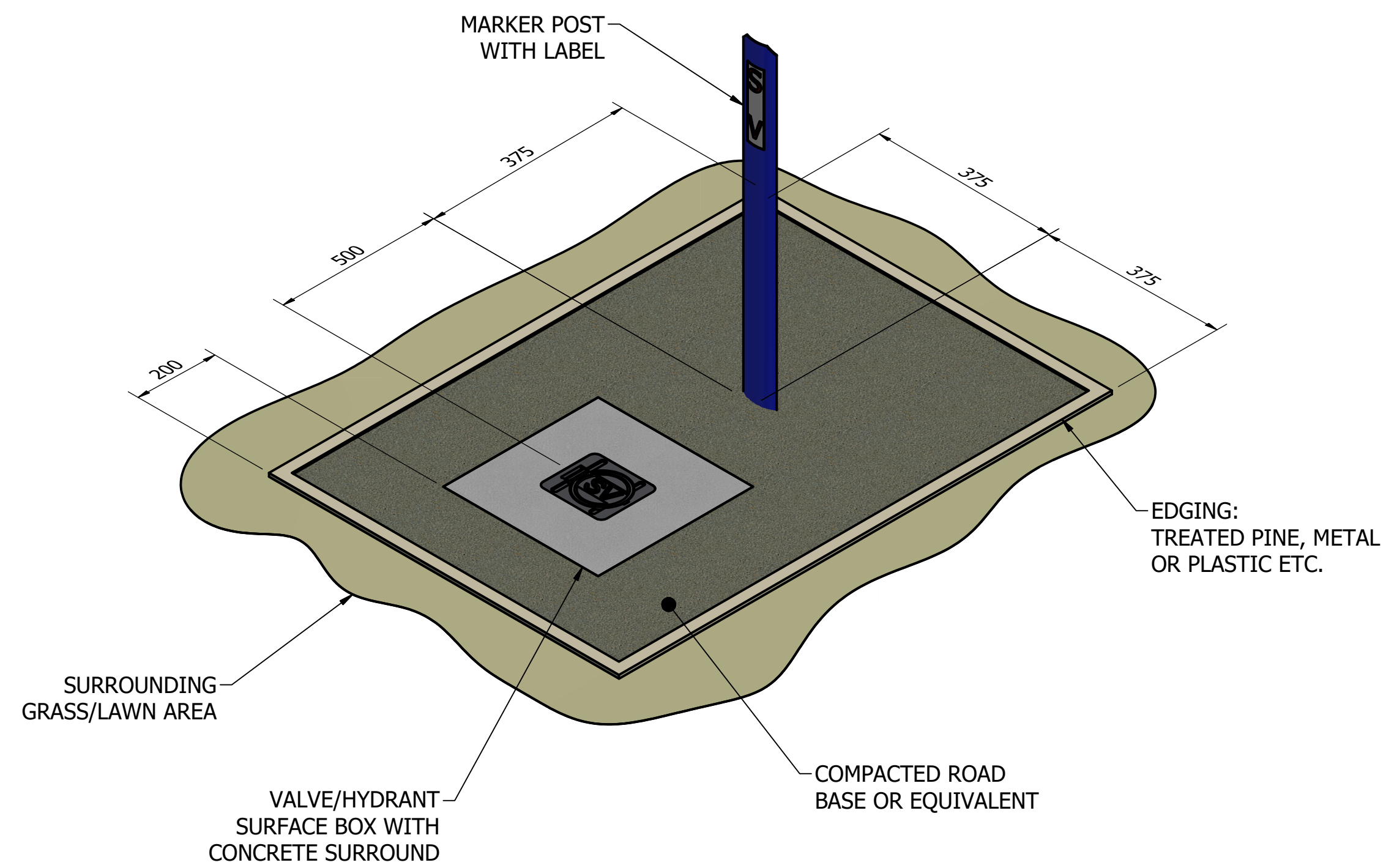
- REFER TO ICON WATER'S APPROVED PRODUCTS LIST FOR MARKER POST DETAILS.
- MARKER POST LABELS TO FACE TOWARDS THE VALVE OR HYDRANT.
- MARKER POSTS FOR BURIED PIPELINES SHALL BE PLACED IN THE LINE OF SIGHT AT A MAXIMUM SPACING OF 100 m AND SHALL BE LOCATED PERPENDICULAR TO THE PIPELINE AXIS.
- MARKER POST LABEL LETTERING TO BE VERTICALLY ORIENTATED; KERB MARKER LETTERING TO BE HORIZONTALLY ORIENTATED.
- KERB MARKERS MAY ALSO BE FIXED TO WALLS AND PAVEMENTS AS APPROPRIATE USING MASONRY NAILS OR EPOXY ADHESIVE.

DAM	RES	SPS
<input checked="" type="checkbox"/>	<input checked="" type="checkbox"/>	<input checked="" type="checkbox"/>
<input checked="" type="checkbox"/>	<input checked="" type="checkbox"/>	<input checked="" type="checkbox"/>
<input checked="" type="checkbox"/>	<input checked="" type="checkbox"/>	<input checked="" type="checkbox"/>
<input checked="" type="checkbox"/>	<input checked="" type="checkbox"/>	<input checked="" type="checkbox"/>

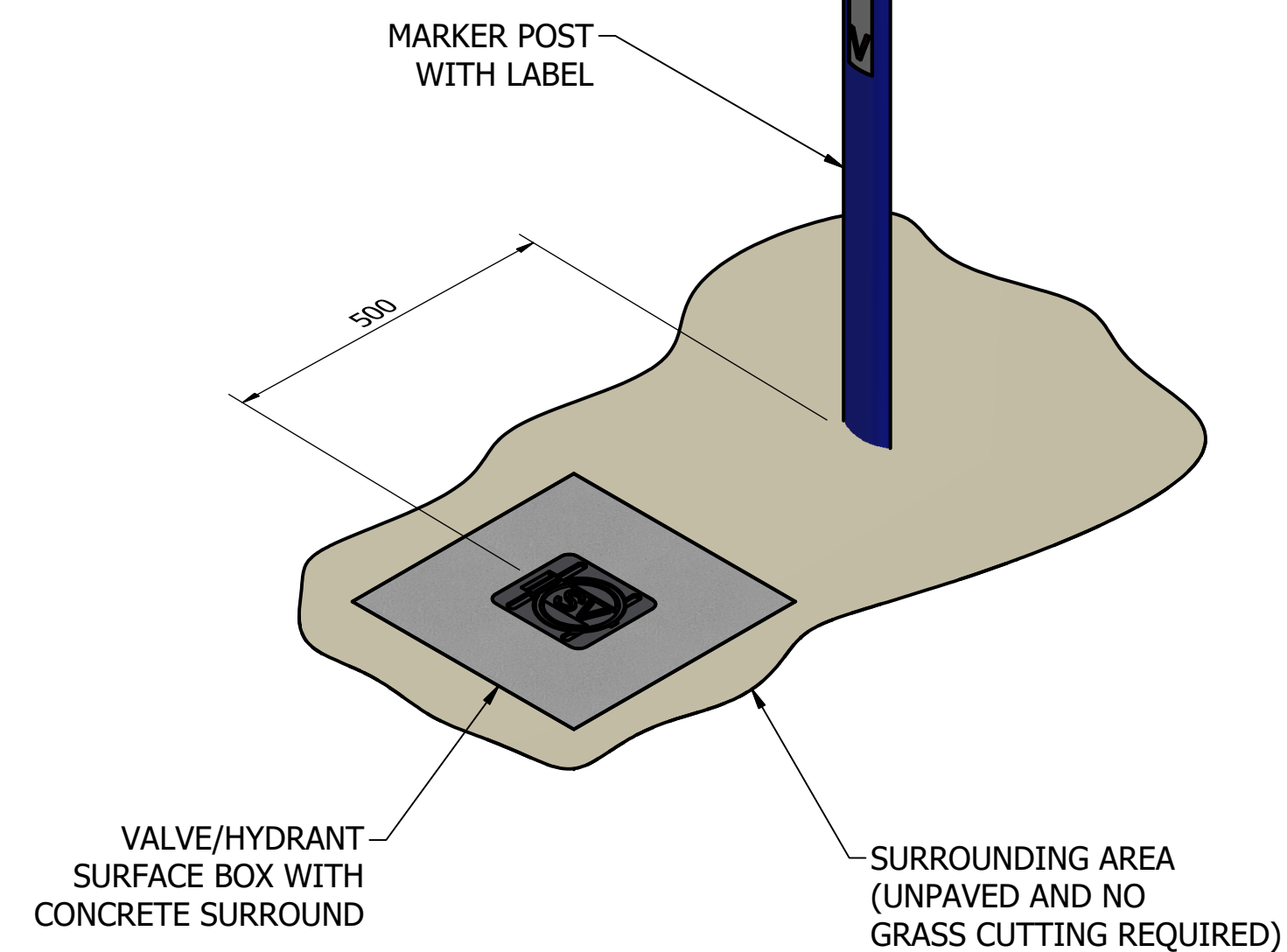


STANDARD DRAWING
 PIPELINE AND NETWORKS
 MARKER POSTS, KERB MARKINGS AND LABELS
 SHEET 1 OF 2

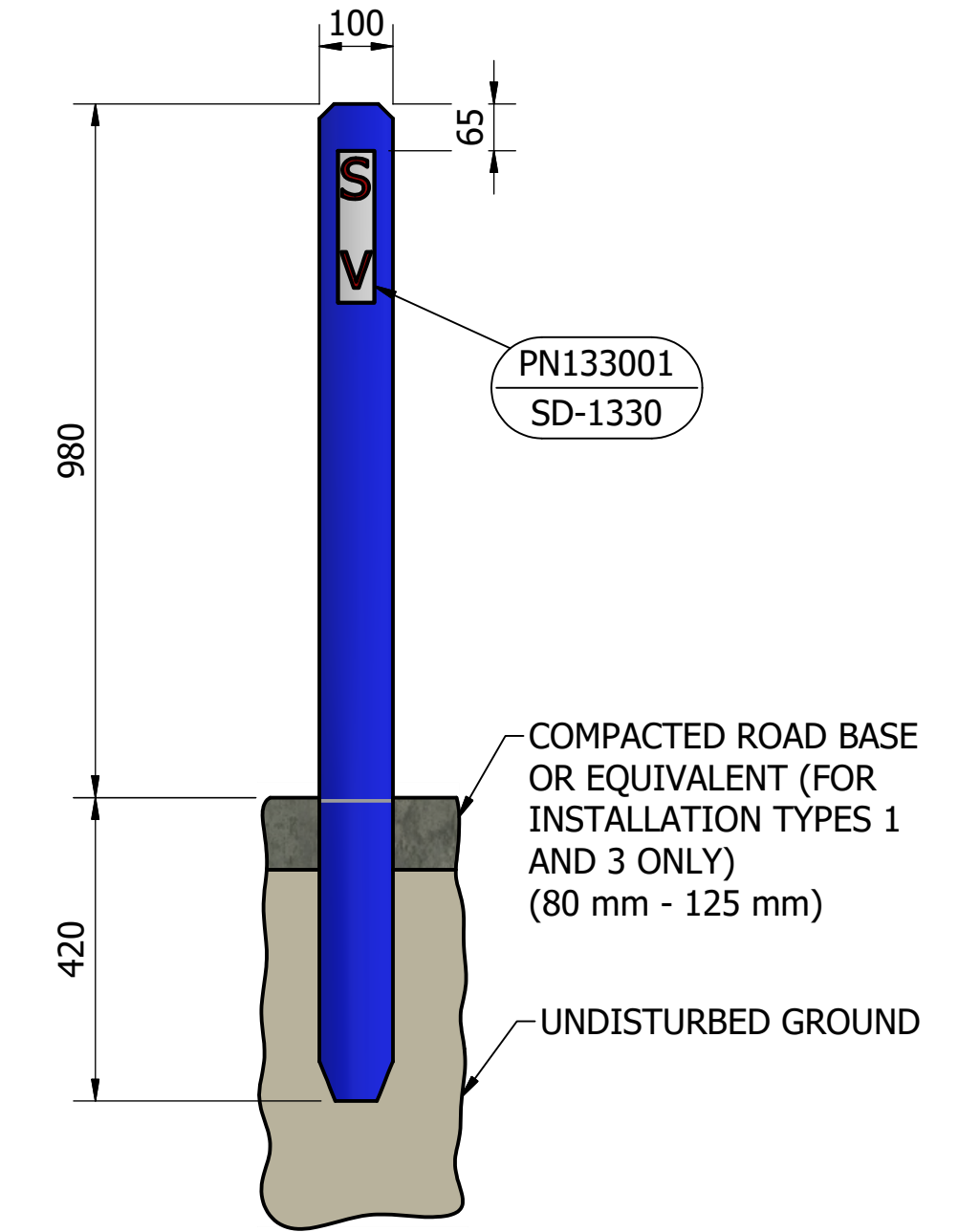
DRAWING STATUS	
Current	
SD-1330-D	
A1	ISSUE B



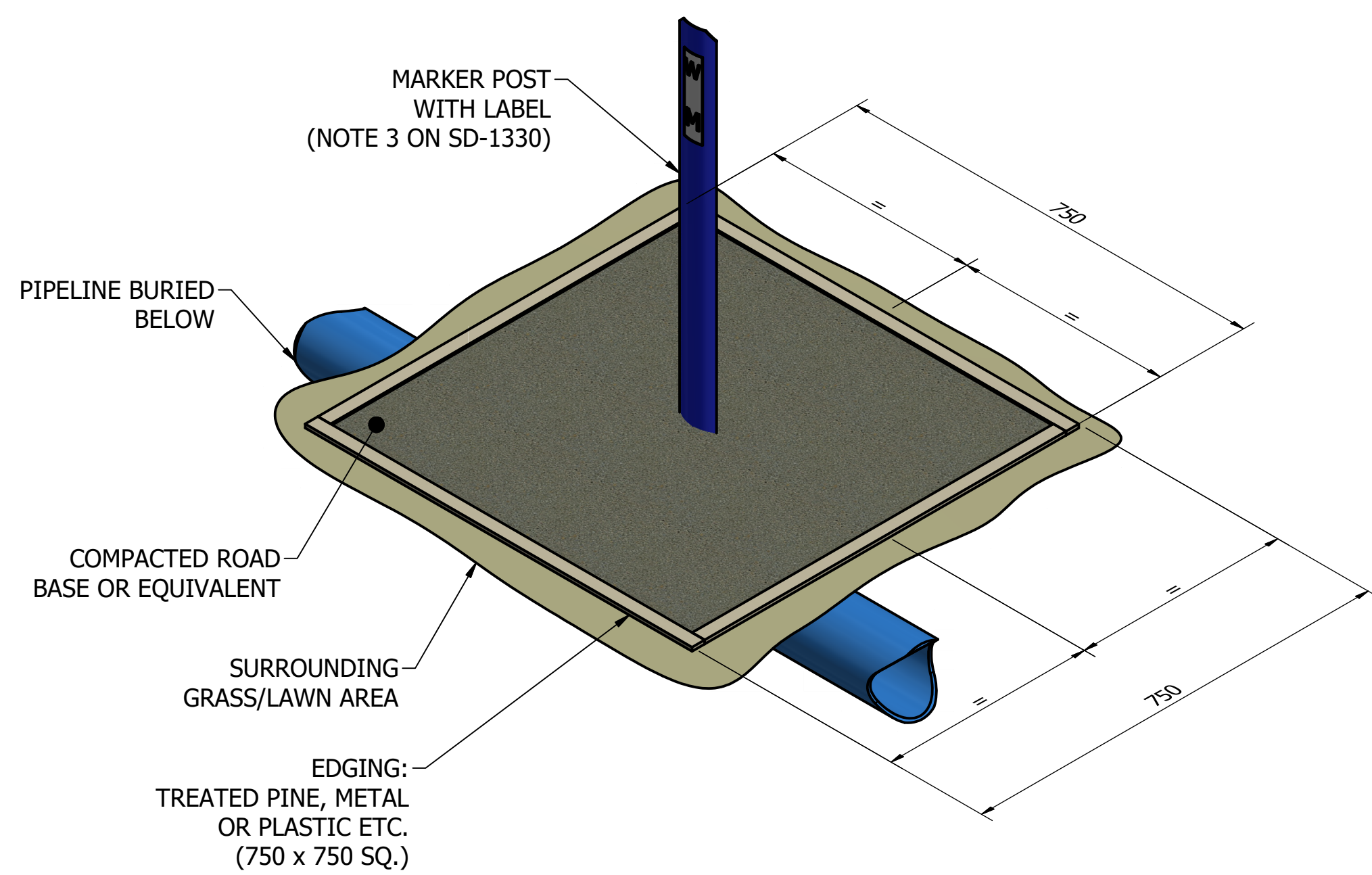
INSTALLATION TYPE 1
VALVE/HYDRANT MARKER POSTS
IN AREAS REQUIRING GRASS CUTTING



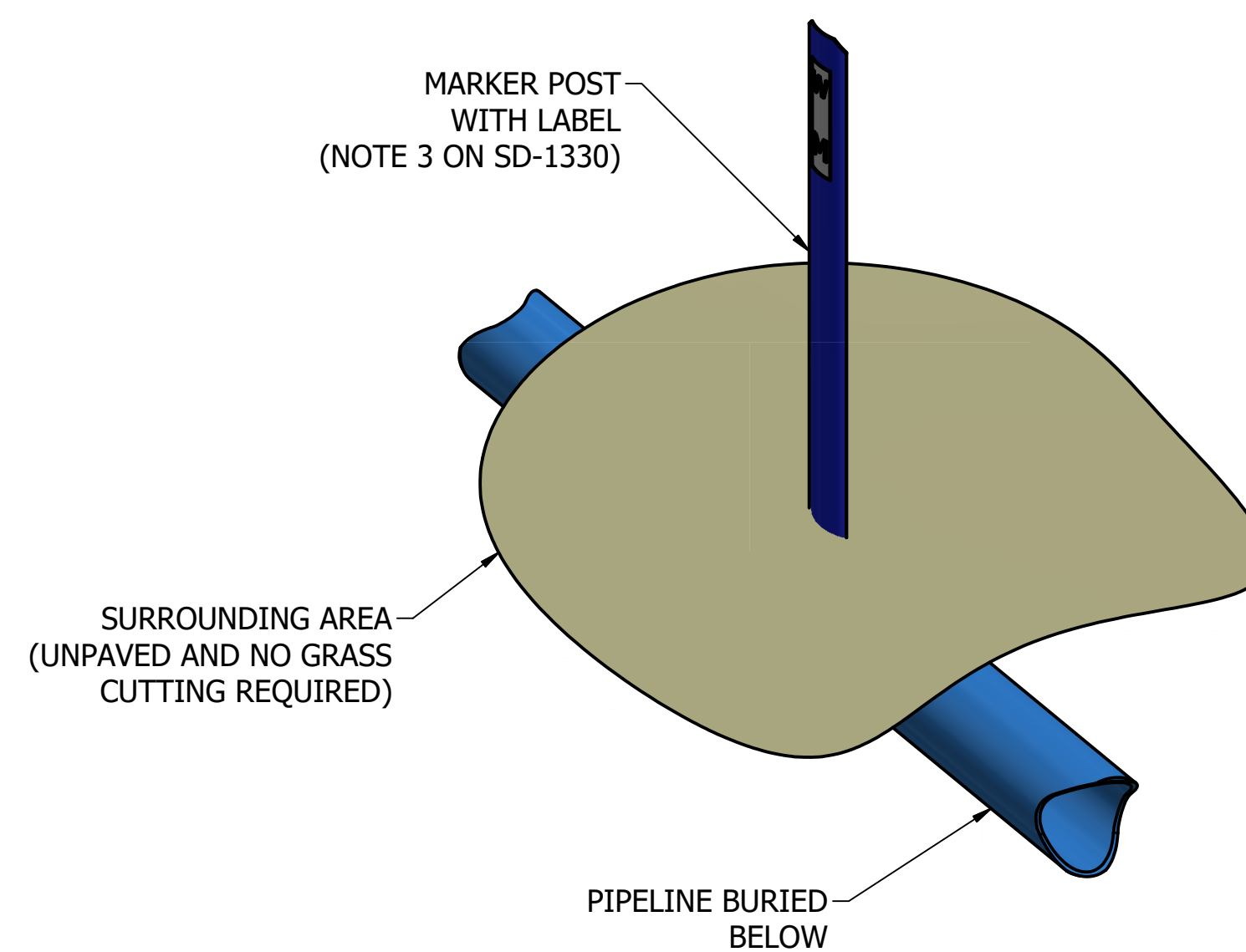
INSTALLATION TYPE 2
VALVE/HYDRANT MARKER POST IN UNPAVED AREAS
WHICH DO NOT REQUIRE GRASS CUTTING



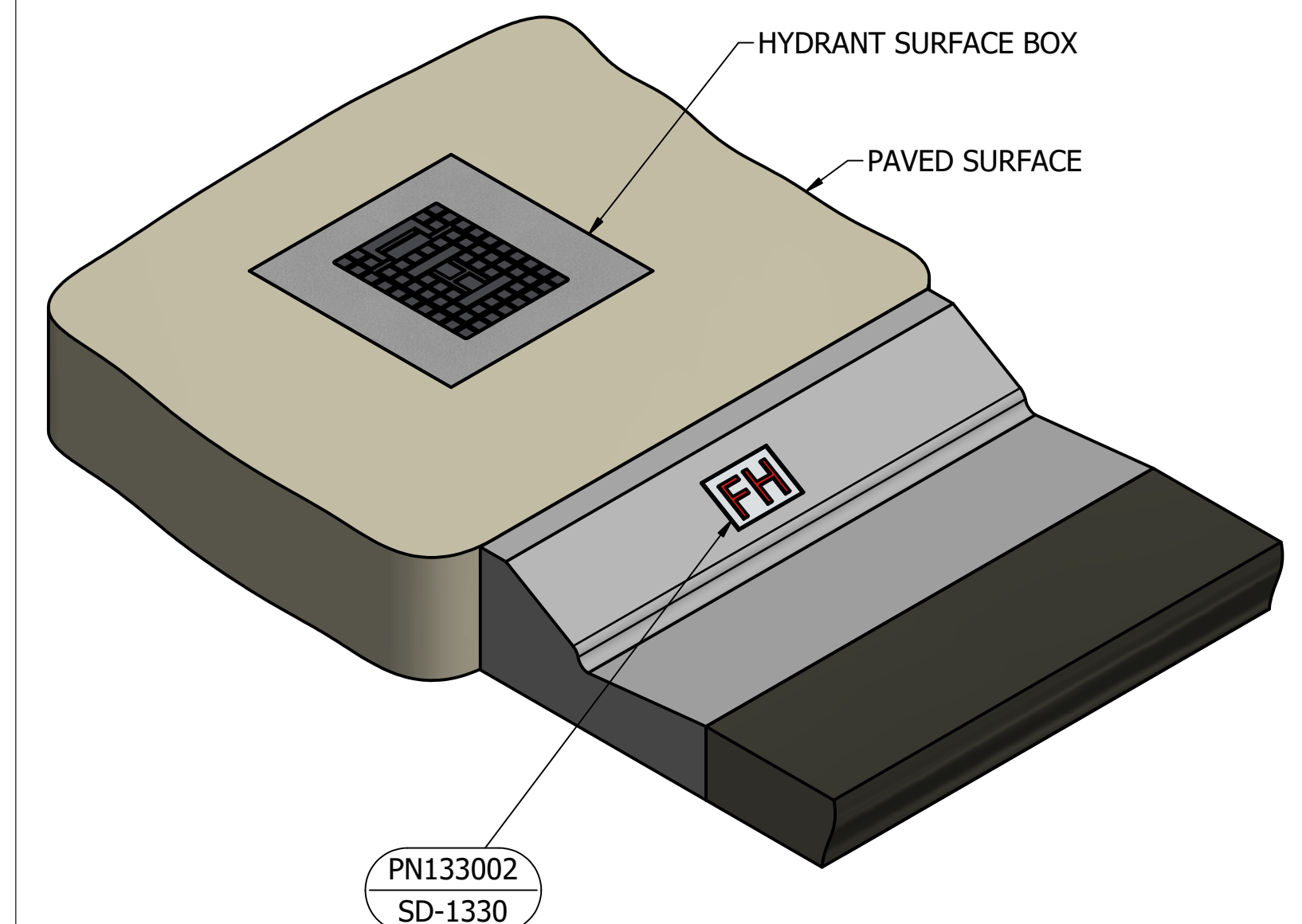
MARKER POST
TYPICAL INSTALLATION



INSTALLATION TYPE 3
PIPELINE MARKER POSTS IN
AREAS REQUIRING GRASS CUTTING



INSTALLATION TYPE 4
PIPELINE MARKER POSTS IN UNPAVED AREAS
WHICH DO NOT REQUIRE GRASS CUTTING



INSTALLATION TYPE 5
HYDRANT (OR VALVE) KERB MARKERS

No.	ISSUE	DATE	DRAWN	CHECKED	AUTHORISED
A	INITIAL ISSUE	15/06/2018	S. Essery	K. Danenbergsons	D. Eager
B	APPLICABILITY CHART UPDATED	18/06/2019	S. Essery	K. Danenbergsons	C. Patrick

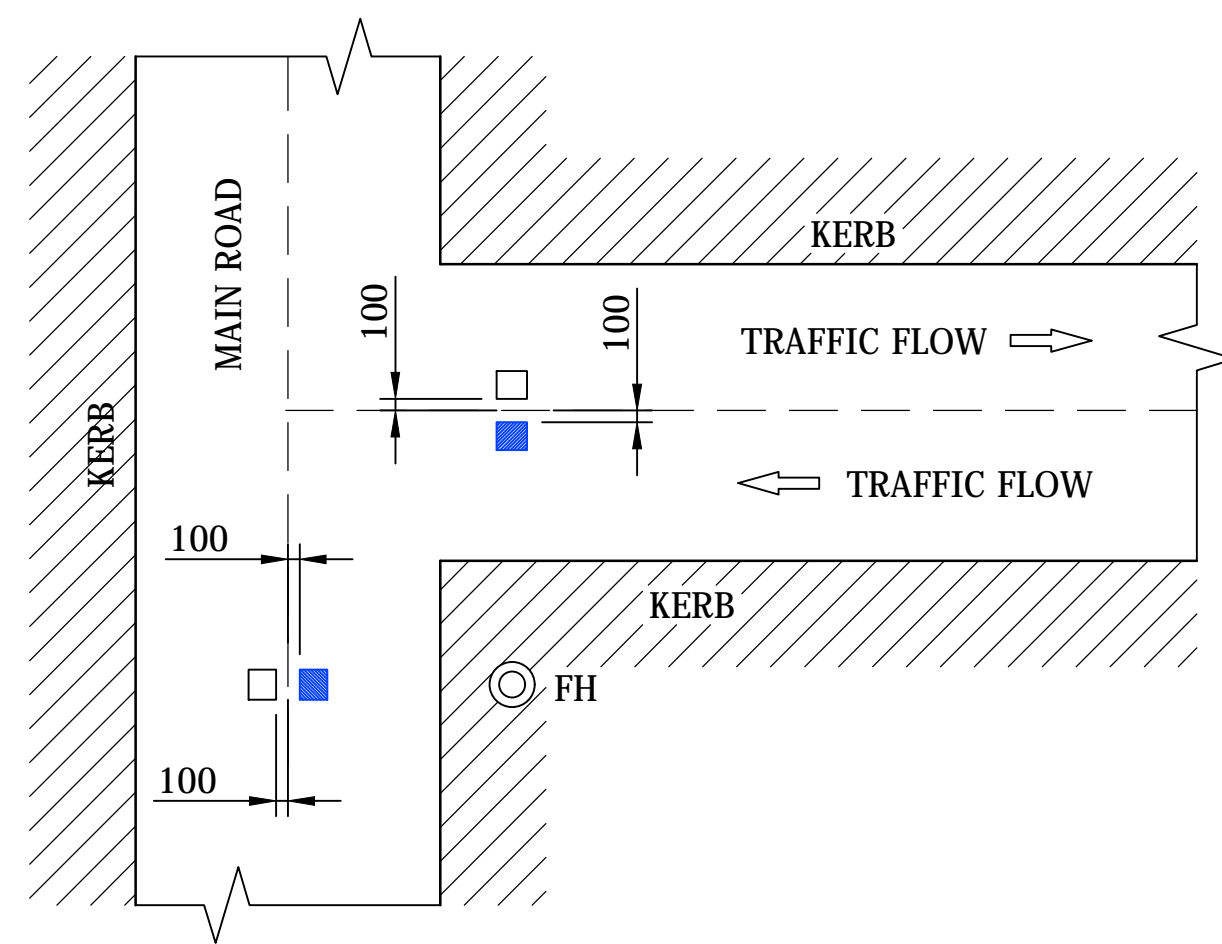
ASSET AREA APPLICABILITY					
DAM	<input checked="" type="checkbox"/>	RES	<input checked="" type="checkbox"/>	SPS	<input checked="" type="checkbox"/>
BWS	<input checked="" type="checkbox"/>	WAT	<input checked="" type="checkbox"/>	STP	<input checked="" type="checkbox"/>
WTP	<input checked="" type="checkbox"/>	SEW	<input checked="" type="checkbox"/>		
WPS	<input checked="" type="checkbox"/>	REC	<input checked="" type="checkbox"/>		



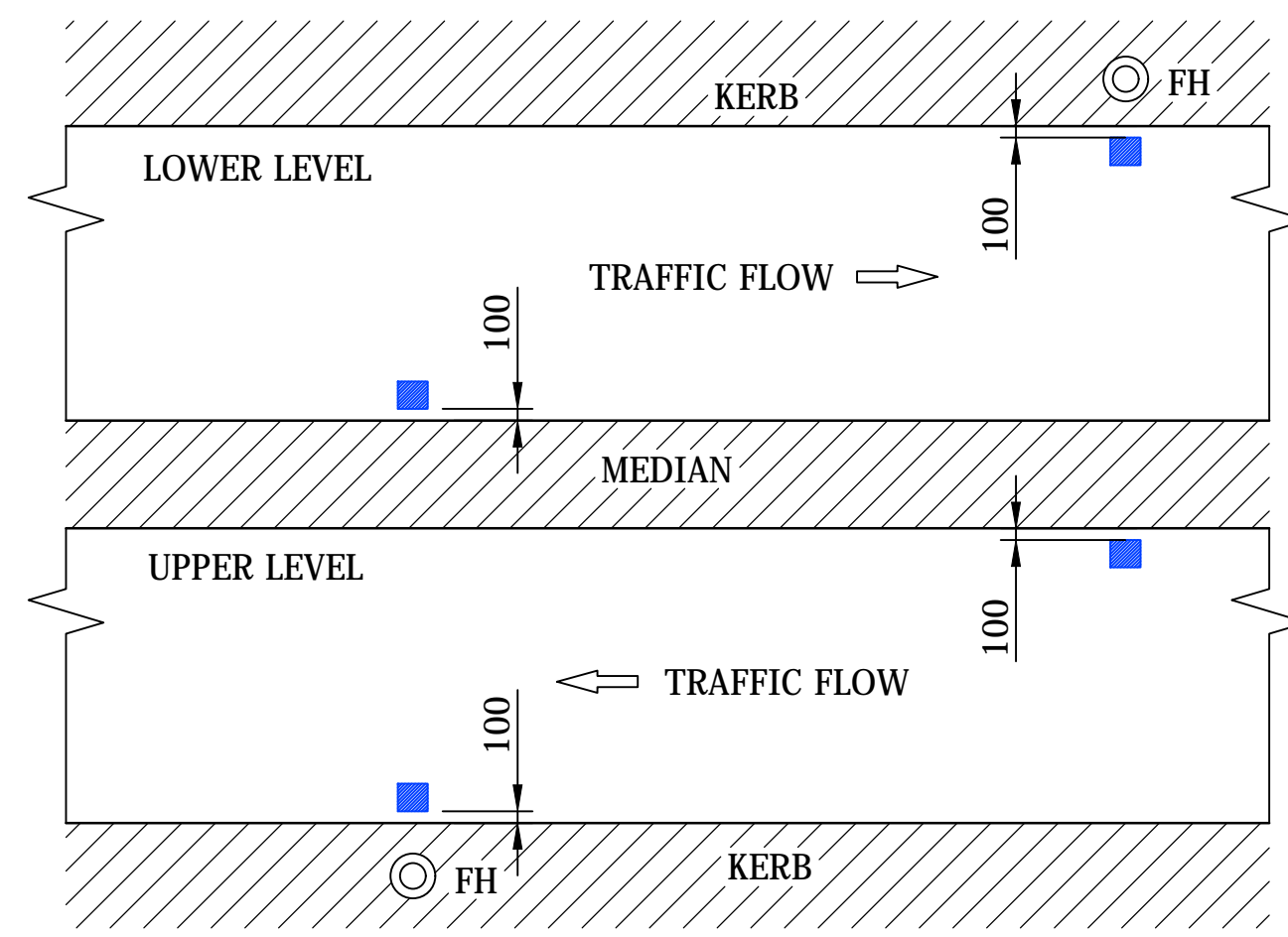
STANDARD DRAWING
 PIPELINE AND NETWORKS
 MARKER POSTS, KERB MARKINGS AND LABELS
 SHEET 2 OF 2

DRAWING STATUS	
Current	
SD-1331-D	
A1	ISSUE B

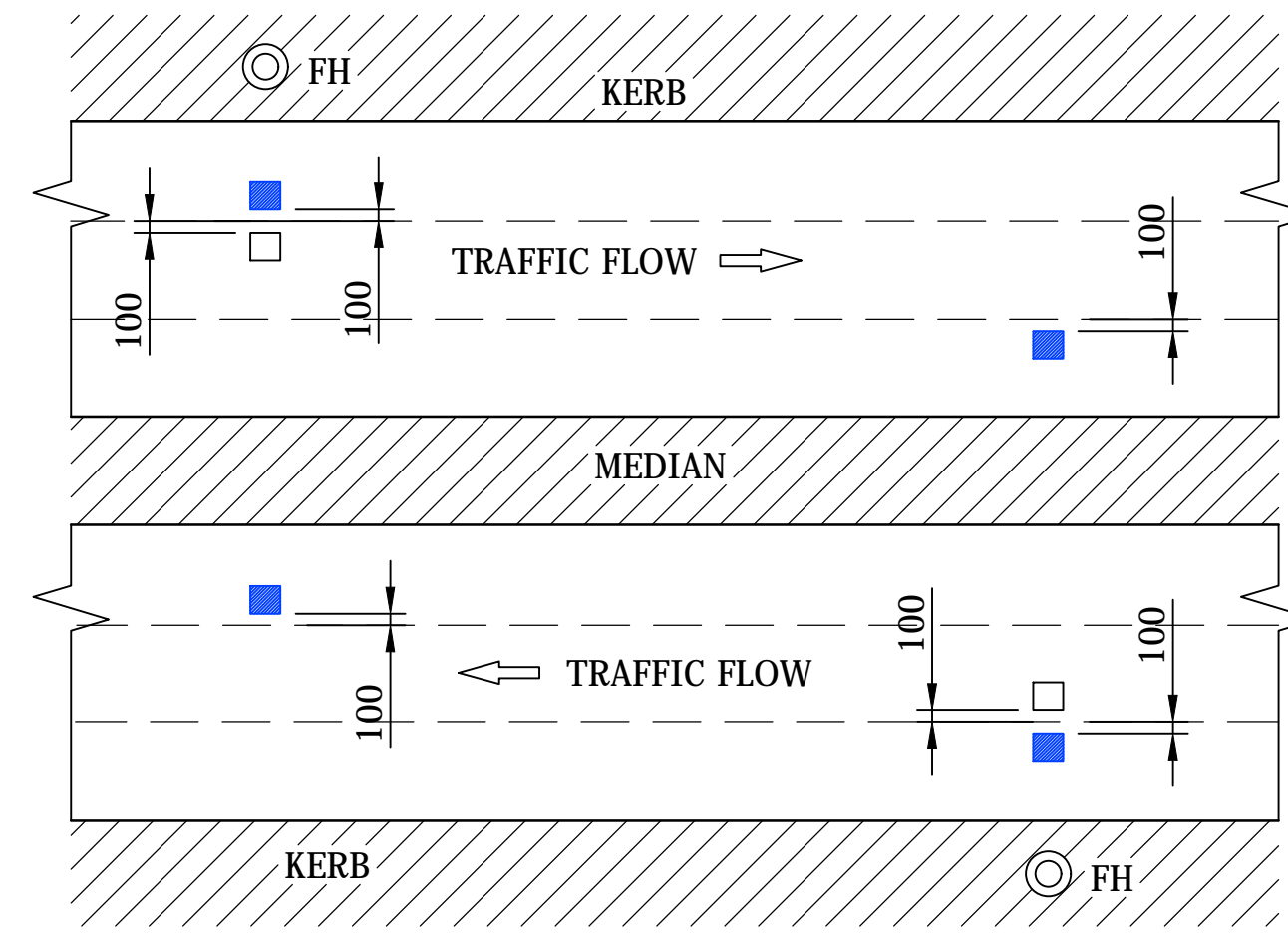
© Icon Water 2017



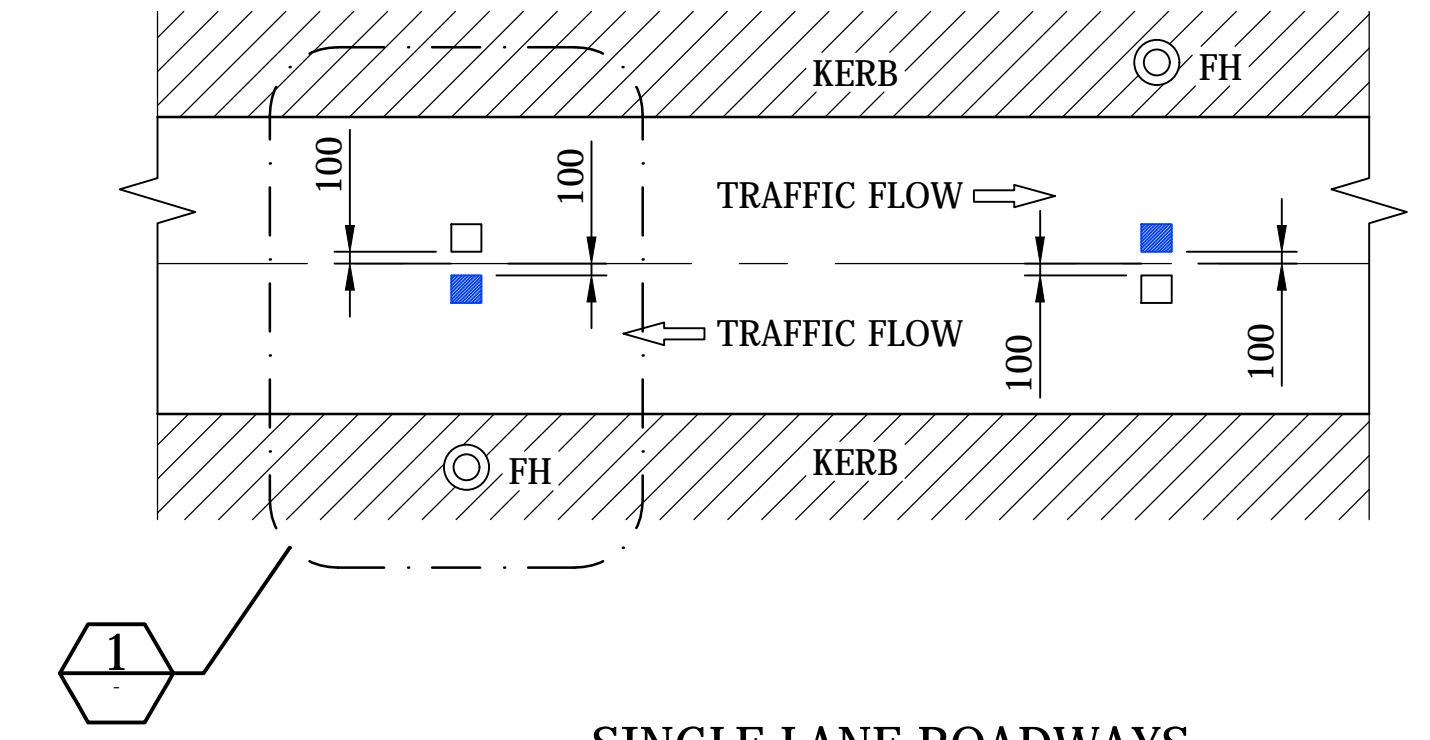
INTERSECTIONS



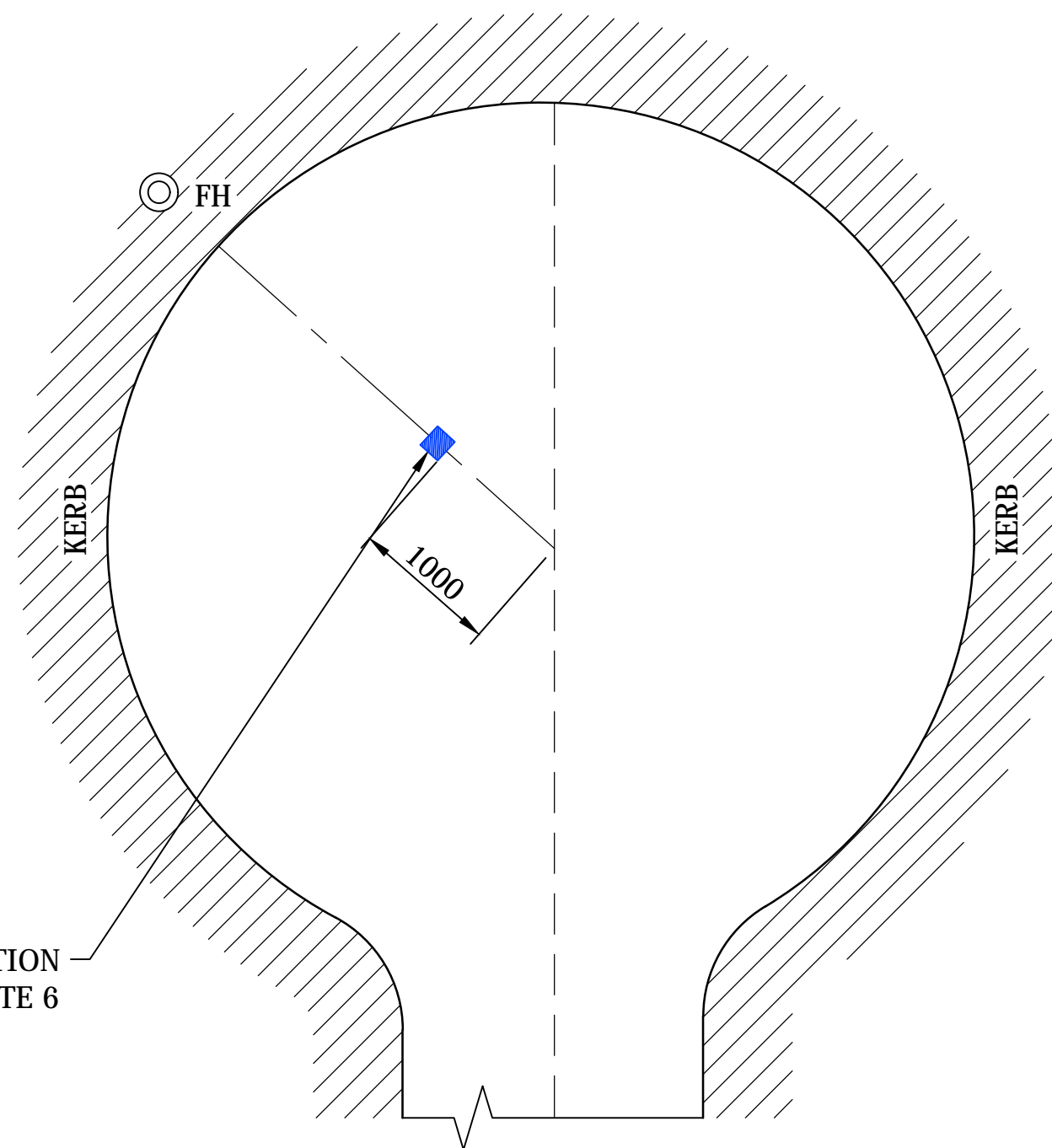
SPLIT LEVEL ROADS



MULTILANE ROADWAYS

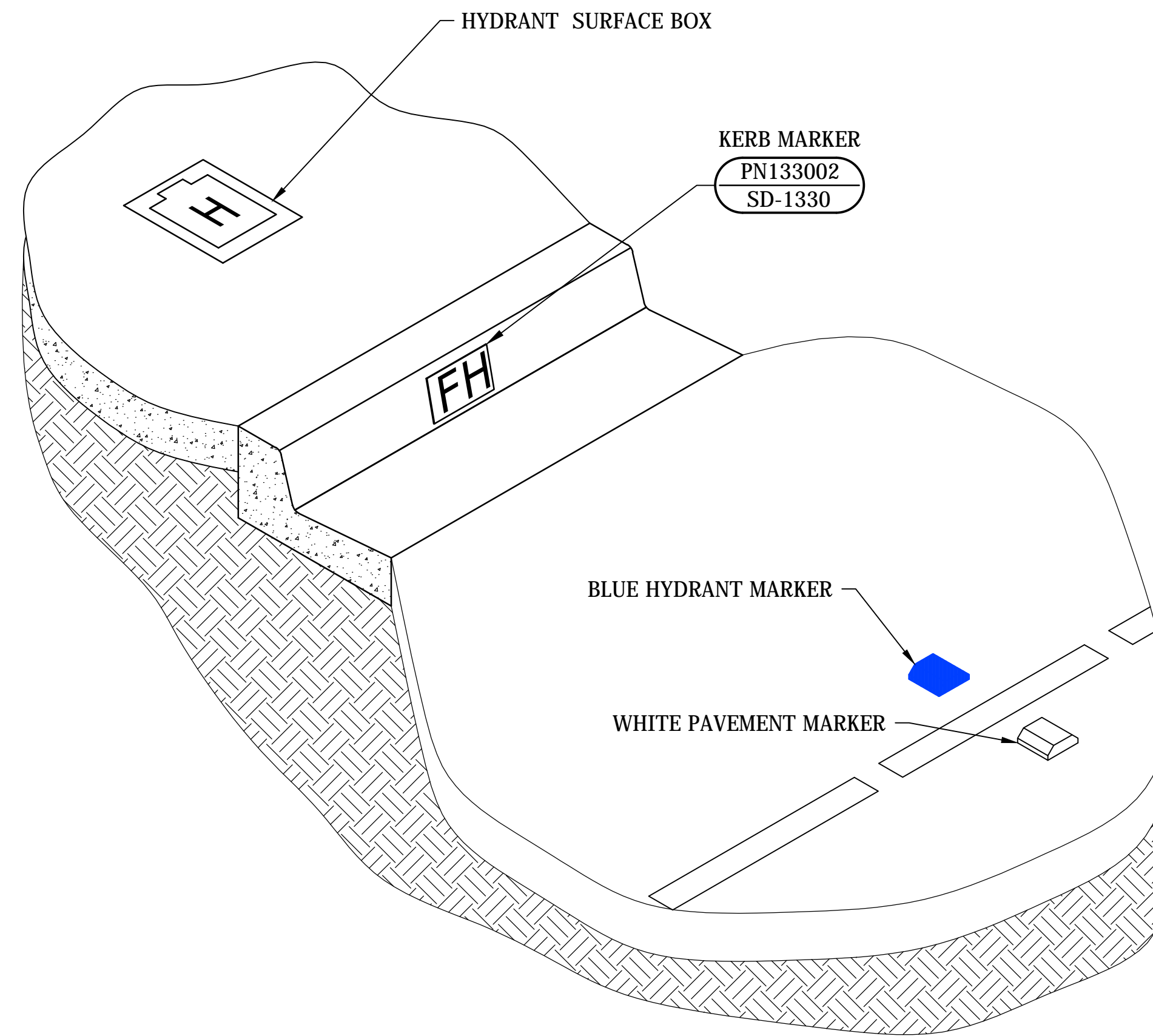


SINGLE LANE ROADWAYS



FOR MARKER POSITION REFER TO NOTE 6

CUL DE SACS



**DETAIL 1
TYPICAL HYDRANT KERB MARKER INSTALLATION**

NOTES:

1. BLUE REFLECTIVE HYDRANT MARKERS ('CATS EYES' - 2-WAY BLUE) SHOULD BE ADHERED TO THE ROAD SURFACE WITH BITUMINOUS RESIN OR HIGH STRENGTH IMPACT EPOXY ADHESIVE.
2. THE BLUE MARKERS ARE TO BE ADHERED TO THE ROAD SURFACE IN LINE WITH THE HYDRANT, 100 mm OFF THE CENTRELINE OF THE ROAD TOWARDS THE SIDE ON WHICH THE HYDRANT IS LOCATED.
3. WHERE THE CENTRE OF THE ROAD IS NOT MARKED, A NORMAL WHITE PAVEMENT MARKER IS TO BE INSTALLED IN THE CENTRE OF THE ROAD AND THE BLUE MARKER ADJACENT TO IT AND IN LINE WITH THE HYDRANT.
4. ON MULTILANE ROADWAYS, MARKERS ARE TO BE INSTALLED 100 mm FROM THE LEFT AND RIGHT HAND LANE DELINEATORS, TOWARDS THE SIDE ON WHICH THE HYDRANT IS LOCATED.
5. WHERE A HYDRANT IS LOCATED AT AN INTERSECTION THE BLUE MARKERS ARE TO BE POSITIONED ON BOTH ROADS, IN LINE WITH THE HYDRANT AND 100 mm OFF THE CENTRELINE OF THE ROAD TOWARDS THE SIDE OF THE ROAD ON WHICH THE HYDRANT IS LOCATED.
6. IF A HYDRANT IS LOCATED IN A CUL DE SAC THE BLUE MARKER IS TO BE INSTALLED APPROXIMATELY ONE METRE FROM THE CENTRE OF THE CUL DE SAC, OFFSET TOWARDS THE POSITION OF THE HYDRANT.
7. IF A ROAD HAS ONE TRAFFIC LANE HIGHER THAN THE OTHER A BLUE MARKER IS TO BE INSTALLED IN LINE WITH THE HYDRANT 100 mm FROM THE KERB ON THE SIDE OF THE ROAD TOWARDS THE HYDRANT.
8. "FH" DENOTES FIRE HYDRANT. REFER TO STANDARD DRAWING SD-1330 FOR LABEL DETAILS.
9. A BLUE REFLECTIVE HYDRANT MARKER (IN THE ROAD) AND A KERB MARKER IS REQUIRED FOR EACH HYDRANT, NOT JUST ONE OR THE OTHER.

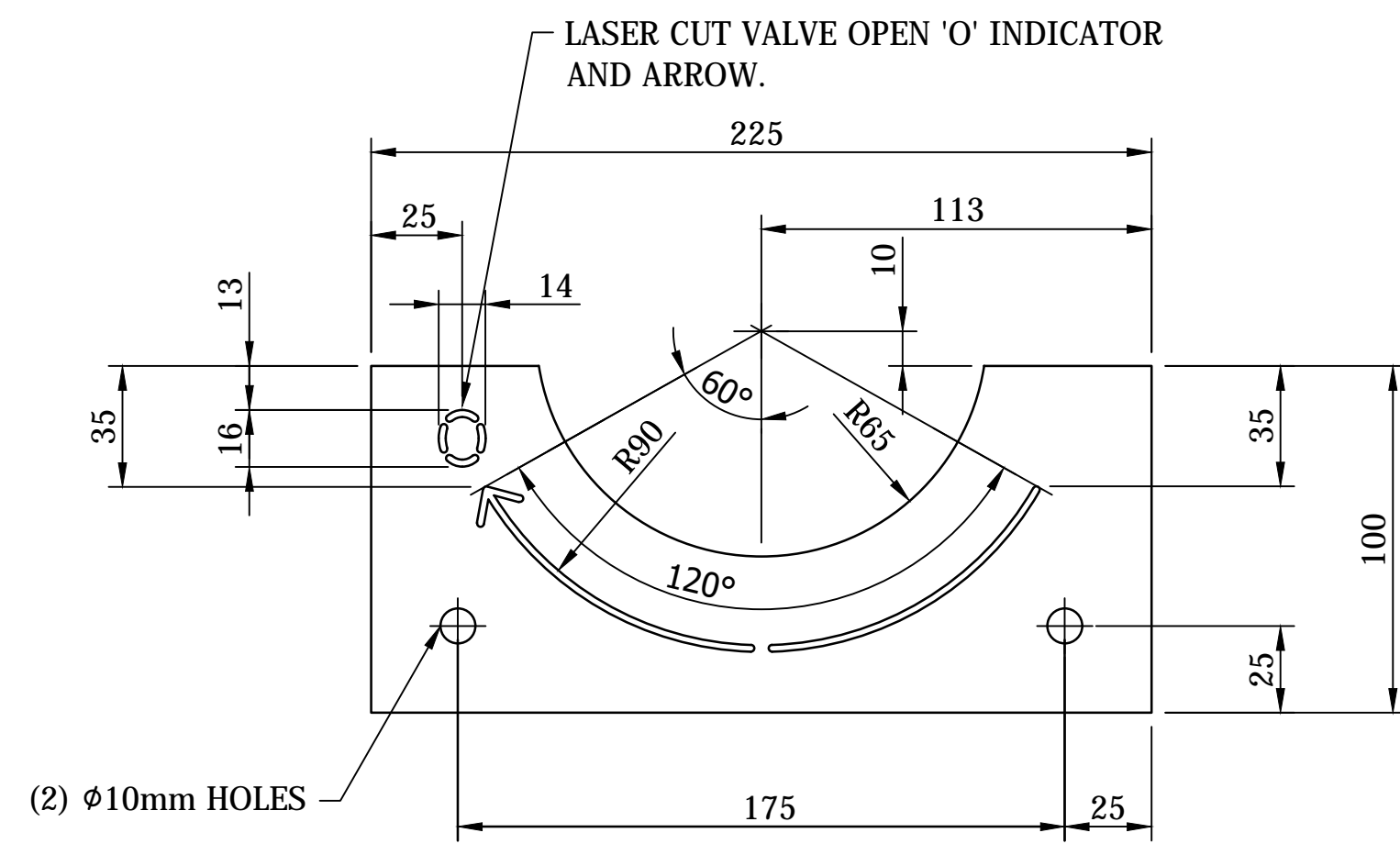
No.	ISSUE	DATE	DRAWN	CHECKED	AUTHORISED
A	INITIAL ISSUE	15/06/2018	C. Dickson	K. Danenbergsons	D. Eager
B	MARKER NOTE ADDED	18/06/2019	S. Essery	K. Danenbergsons	C. Patrick

DAM	RES	SPS
BWS	WAT	X STP
WTP	SEW	
WPS	REC	

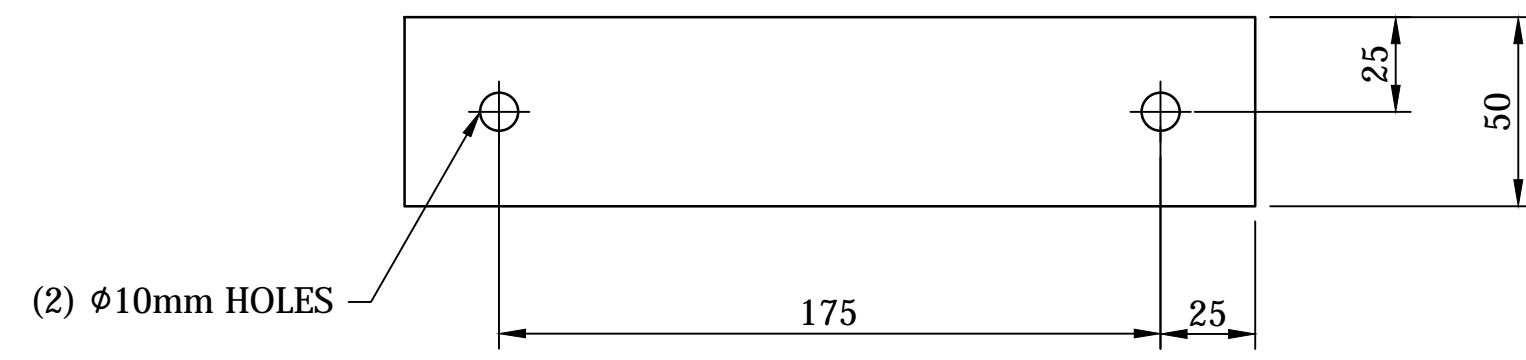


**STANDARD DRAWING
WATER NETWORK
FIRE HYDRANT MARKERS ON ROADS**

DRAWING STATUS	
Current	
SD-1332-D	
A1	ISSUE B
© Icon Water, 2017	



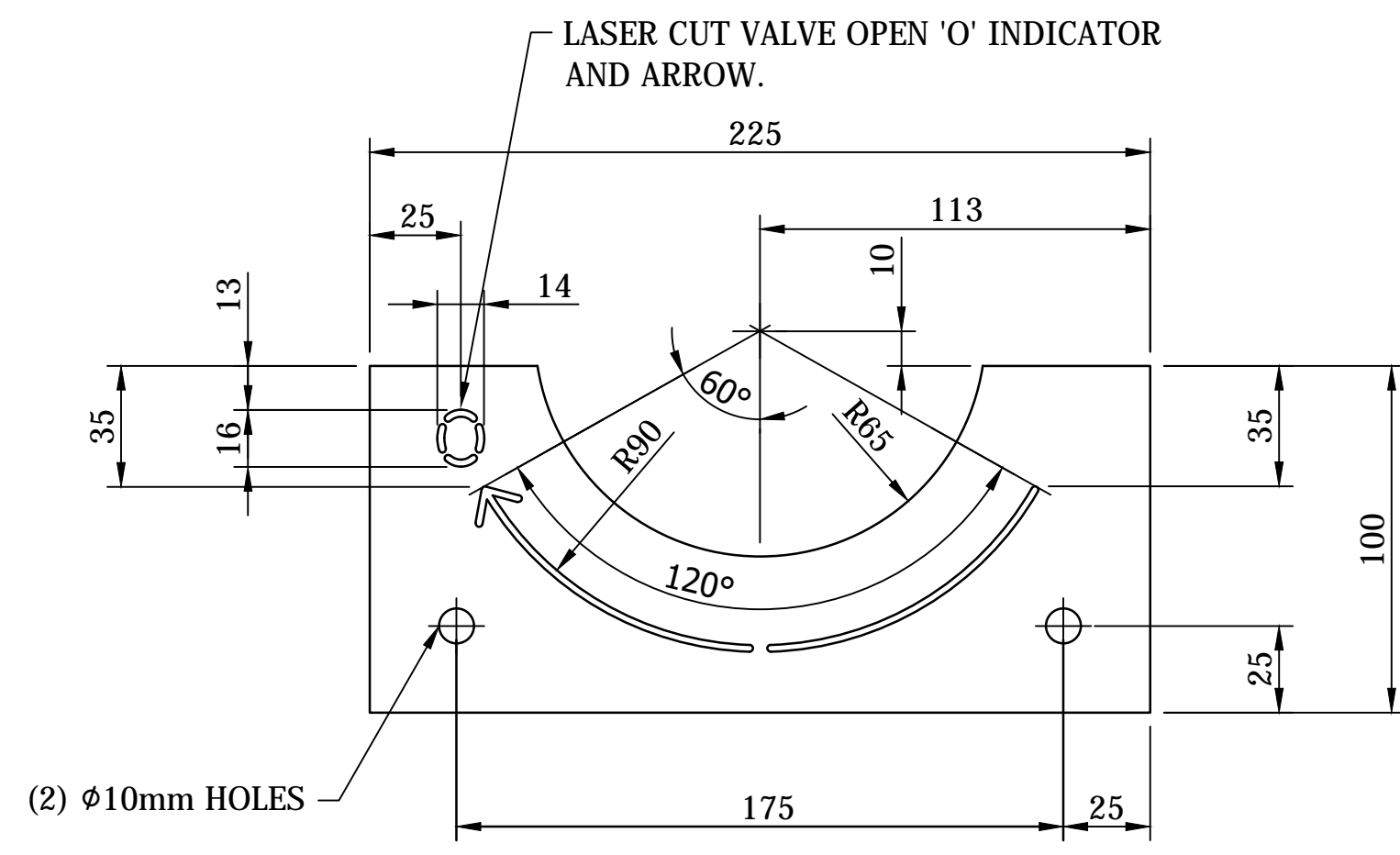
PLAN
INDICATOR PLATE



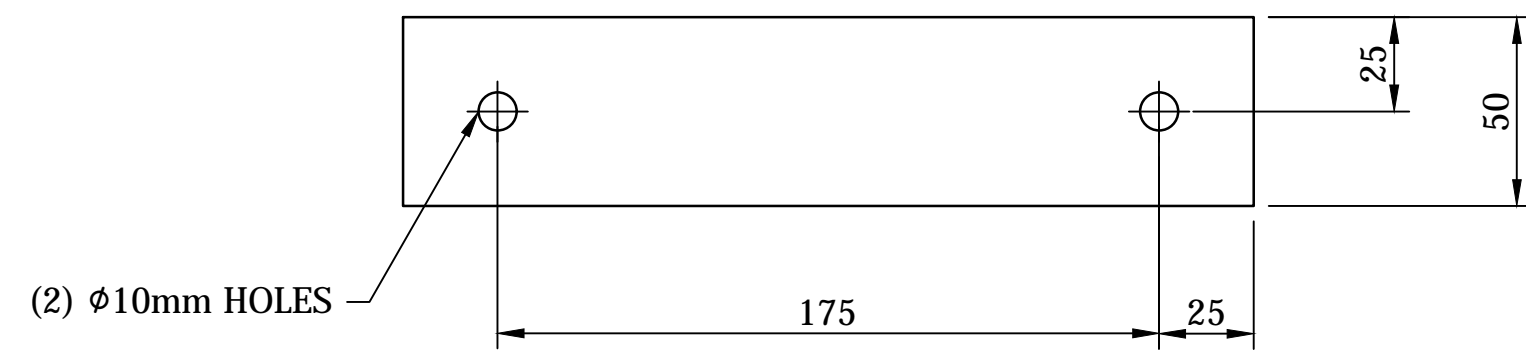
PLAN
SECURING PLATE

MATERIAL: STAINLESS STEEL - GRADE 316 - 3 mm THICK
 COATING: NIL
 FINISH COLOUR: MILL FINISH
 MASS: N/A

ITEM	AMDT.
PN138001	



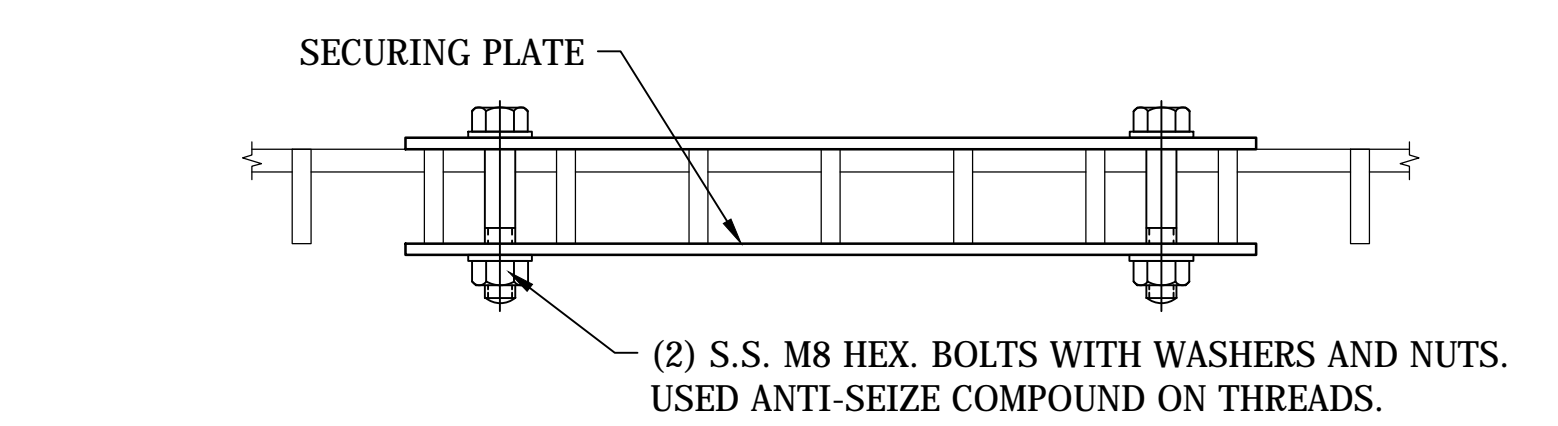
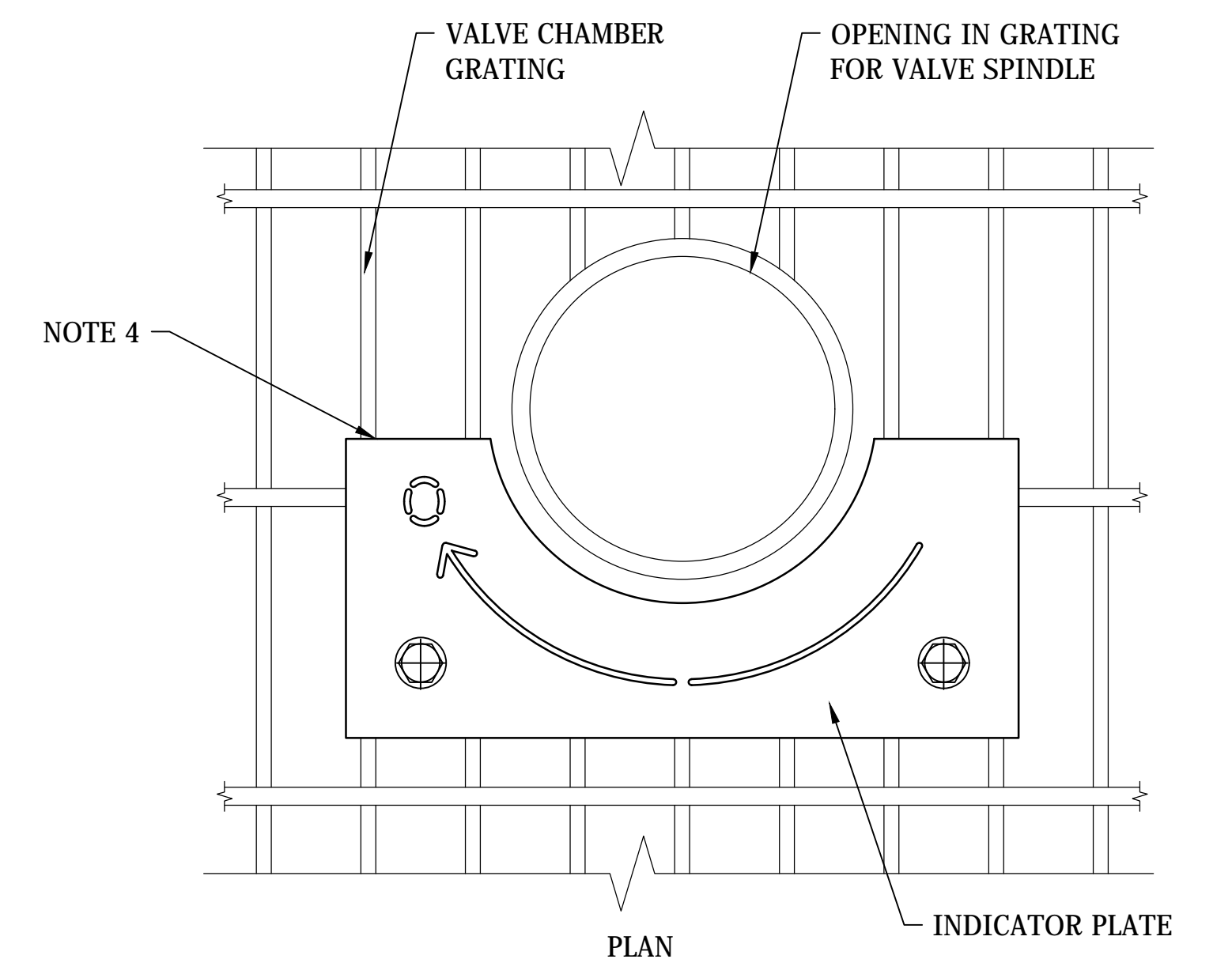
PLAN
INDICATOR PLATE



PLAN
SECURING PLATE

MATERIAL: ALUM. ALLOYS 5083-H116 OR 6060-T5 - 3 mm THICK
 COATING: NIL
 FINISH COLOUR: MILL FINISH
 MASS: N/A

ITEM	AMDT.
PN138002	



ELEVATION
 (2) S.S. M8 HEX. BOLTS WITH WASHERS AND NUTS.
 USED ANTI-SEIZE COMPOUND ON THREADS.
 SCALE: N.T.S.

GENERAL ARRANGEMENT VALVE OPEN/CLOSE INDICATOR PLATE

- NOTES:**
- REFER TO ICON WATER'S "9100 SERIES" DRAWINGS FOR FABRICATION NOTES.
 - ALL VALVES TO HAVE DIRECTION OF ROTATION SHOWN AT THE POINT OF MANUAL OPERATION.
 - WATER NETWORK:** GATE VALVES DN80 AND LARGER SHALL BE ANTICLOCKWISE CLOSE.
SEWER NETWORK: GATE VALVES DN80 AND LARGER SHALL BE CLOCKWISE CLOSE.
 - INDICATOR PLATES MAY BE TACK-WELDED AS APPROPRIATE RATHER THAN MECHANICALLY FASTENED. GRIND DOWN PATTERN WHEN FASTENING OR WELDING TO CHECKER PLATE.
 - THE OPENING IN THE GRATING FOR THE VALVE SPINDLE SHALL BE MADE LARGER (AS APPROPRIATE) WHEN VALVE SPINDLES ARE NOT INSTALLED PLUMB (i.e. NOT VERTICAL). THE DIMENSIONS PROVIDED ON THIS DRAWING RELATE TO VERTICAL SPINDLES ONLY.

No.	ISSUE	DATE	DRAWN	CHECKED	AUTHORISED
A	INITIAL ISSUE	15/06/2018	C. Dickson	K. Danenbergsons	D. Eager
B	NOTE 5 ADDED	18/06/2019	S. Essey	K. Danenbergsons	C. Patrick

DAM	RES	SPS
BWS	WAT	STP
WTP	SEW	
WPS	REC	
ASSET AREA APPLICABILITY		



STANDARD DRAWING
 WATER NETWORK
 VALVE DIRECTION OF ROTATION INDICATOR PLATES

DRAWING STATUS	
Current	
SD-1380-D	
A1	ISSUE B
© Icon Water, 2017	