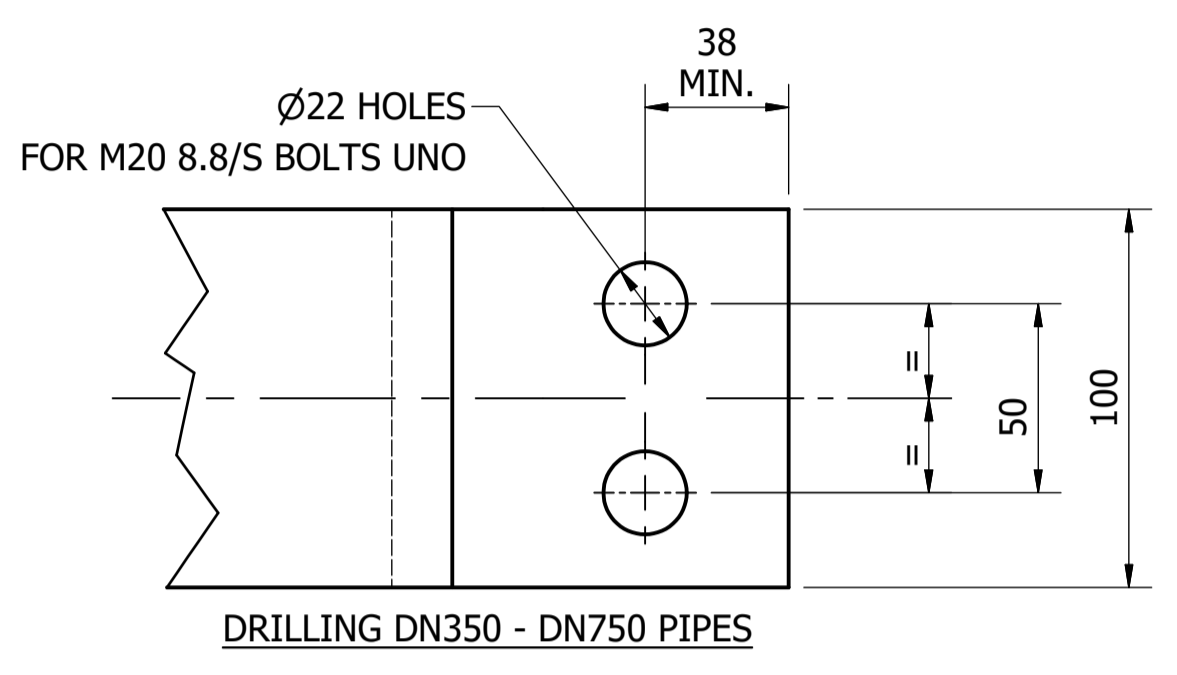
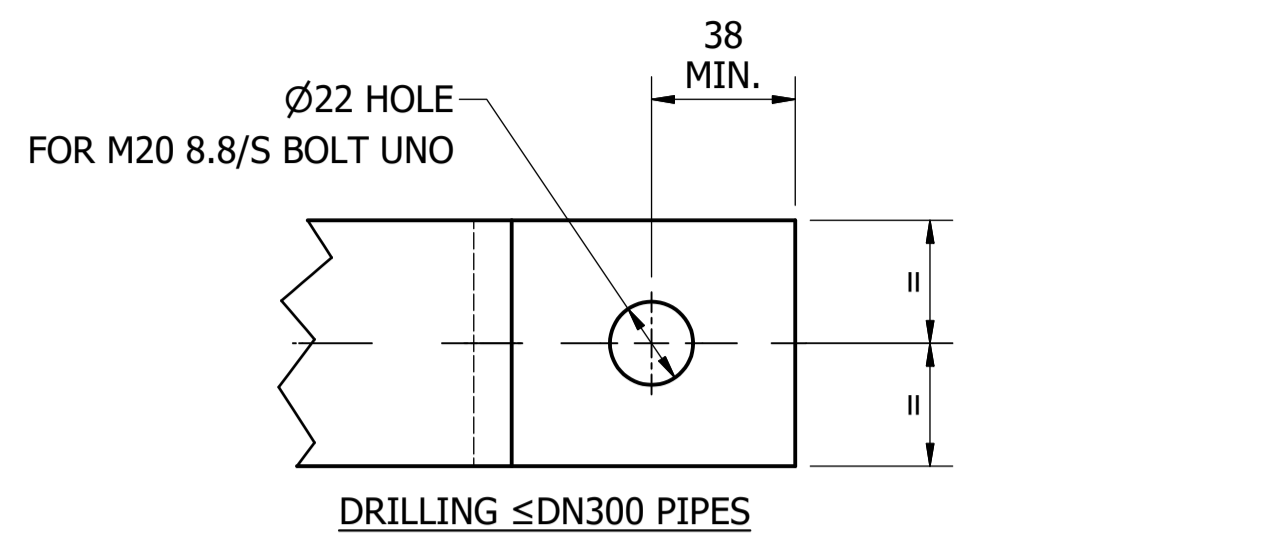


ELEVATION
VERTICAL PIPE SUPPORT - TYPE 1
 SCALE: 1 : 5

MATERIAL: CARBON STEEL
 COATING: HOT DIP GALVANISED
 FINISH COLOUR: N/A
 MASS: APPROX. 50 kg @ 1500 HIGH, ≤DN300

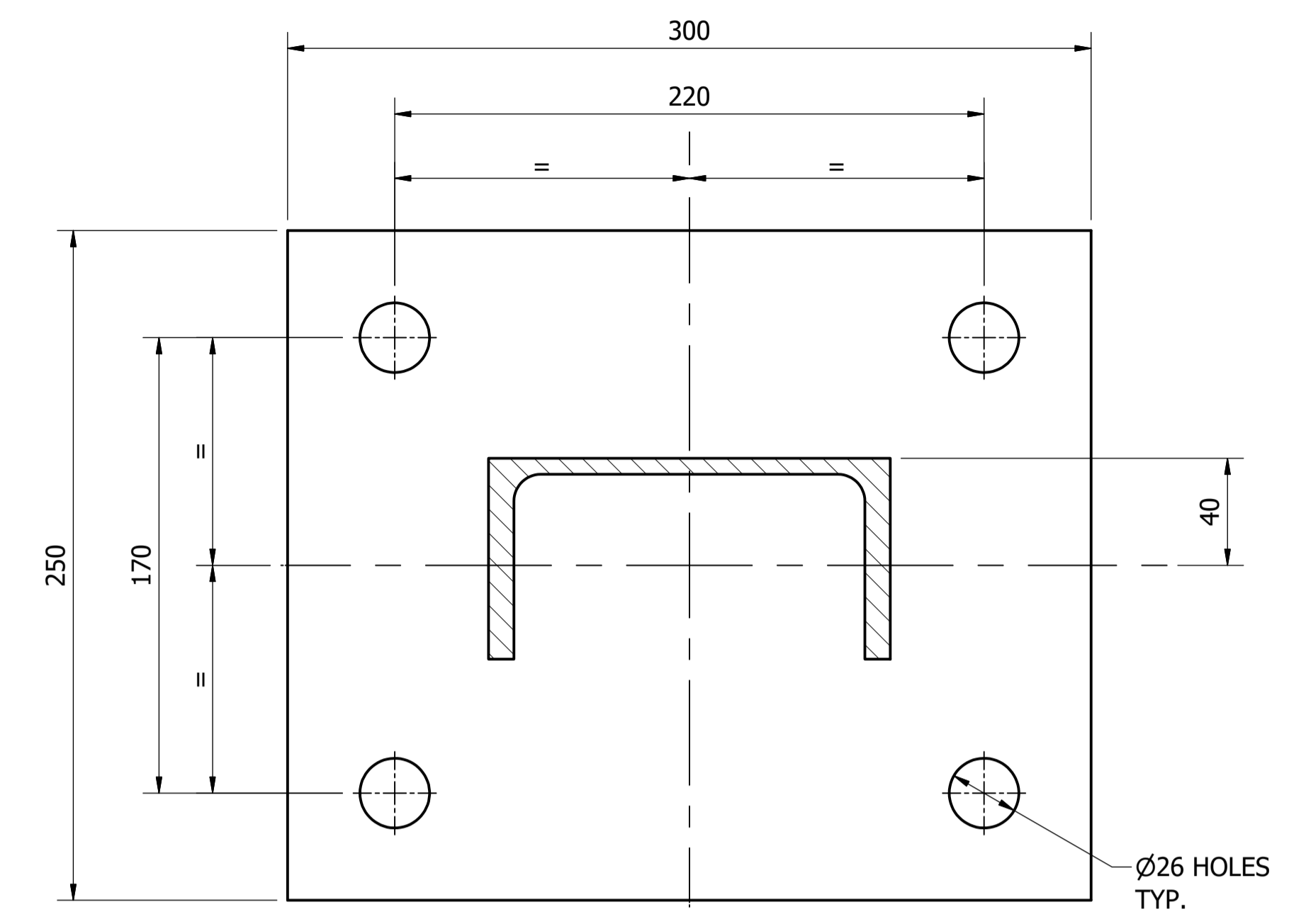


ITEM S1
DRILLING DETAILS
 SCALE: 1 : 2

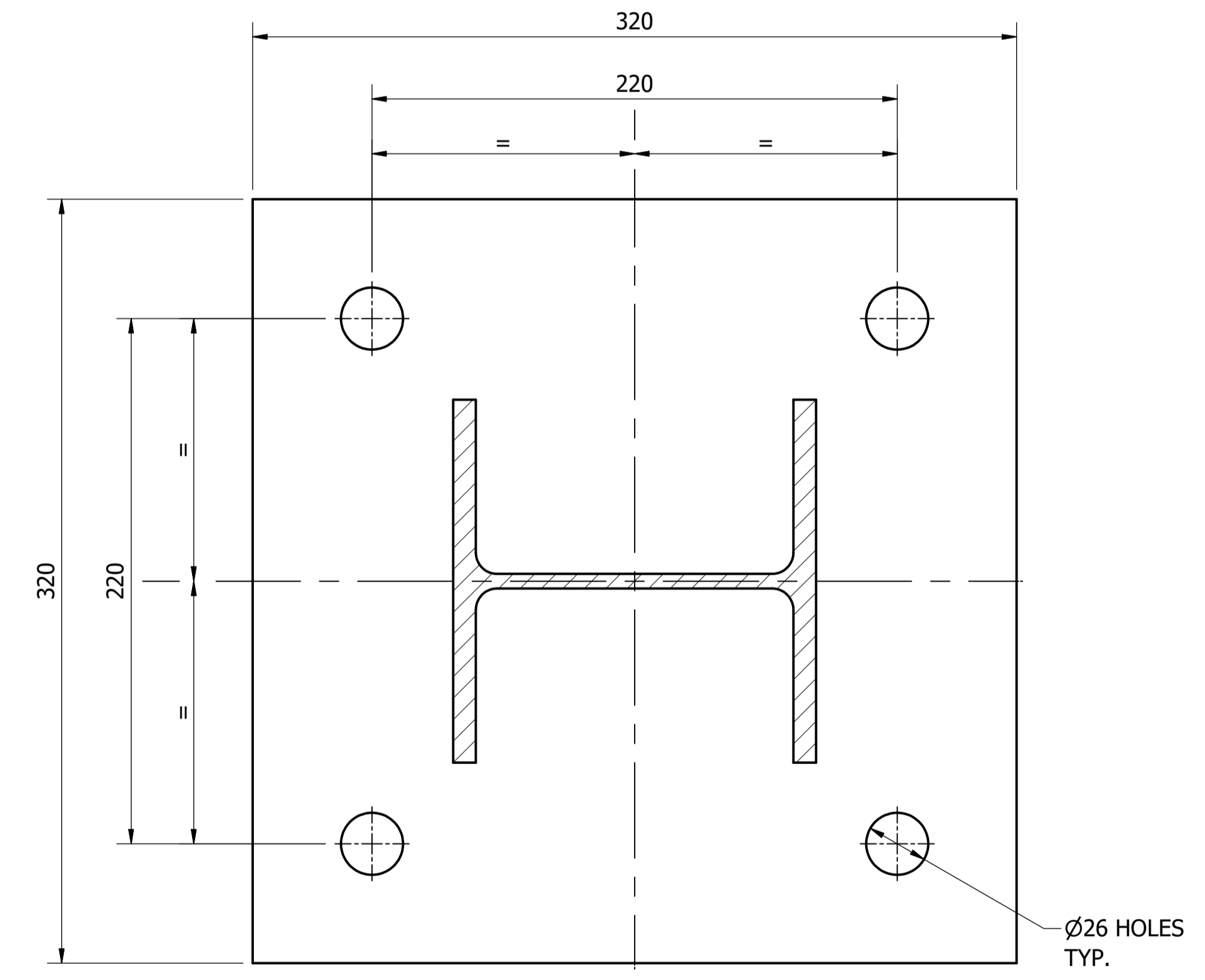
MEMBER SIZES			
MARK	DESCRIPTION	≤ DN300 PIPES	DN350 - DN750 PIPES
B1	PIPE SUPPORT BEAM	150 PFC	150 UC 23
C1	PIPE SUPPORT COLUMN	150 PFC	150 UC 23
P1	BASE PLATE	16 PL	20 PL
S1	PIPE CLAMP	65 x 10 FL	100 x 16 FL

NOTES:

- FOR STEELWORK NOTES REFER TO DRAWING: SD-9100.
- SUPPORT DESIGNED FOR VERTICAL LOADS ONLY.
- PIPE SUPPORTS APPLICABLE TO FLANGED OR WELDED PIPES ONLY.
- DESIGN LOAD CAPACITY (WORKING LOAD):
 - ≤ DN300 - 50 kN
 - DN350 TO DN750 - 100 kN
- OVERSIZE BOLT HOLES REQUIRE 4 mm PLATE WASHER INSTALLED UNDER BOTH NUT AND BOLT HEAD.
- OVERSIZE HOLD DOWN BOLT HOLES REQUIRE 4 mm PLATE WASHER INSTALLED UNDER BOTH NUT HEADS.
- HOLD DOWN ANCHOR BOLTS TO BE M20 SS316 CHEMICAL ANCHORS.
- 20 mm NON-SHRINK GROUT TO BE INSTALLED UNDER ALL PIPE SUPPORTS.



SECTION A-A
 FOR PIPES ≤ DN300
 SCALE: 1 : 2



SECTION A-A
 FOR PIPES DN350 - DN750
 SCALE: 1 : 2

ITEM	AMDT.
PN530101	

No.	ISSUE	DATE	DRAWN	CHECKED	AUTHORISED
A	INITIAL ISSUE	15/06/2018	M. Matusiak	K. Danenbergsons	D. Eager

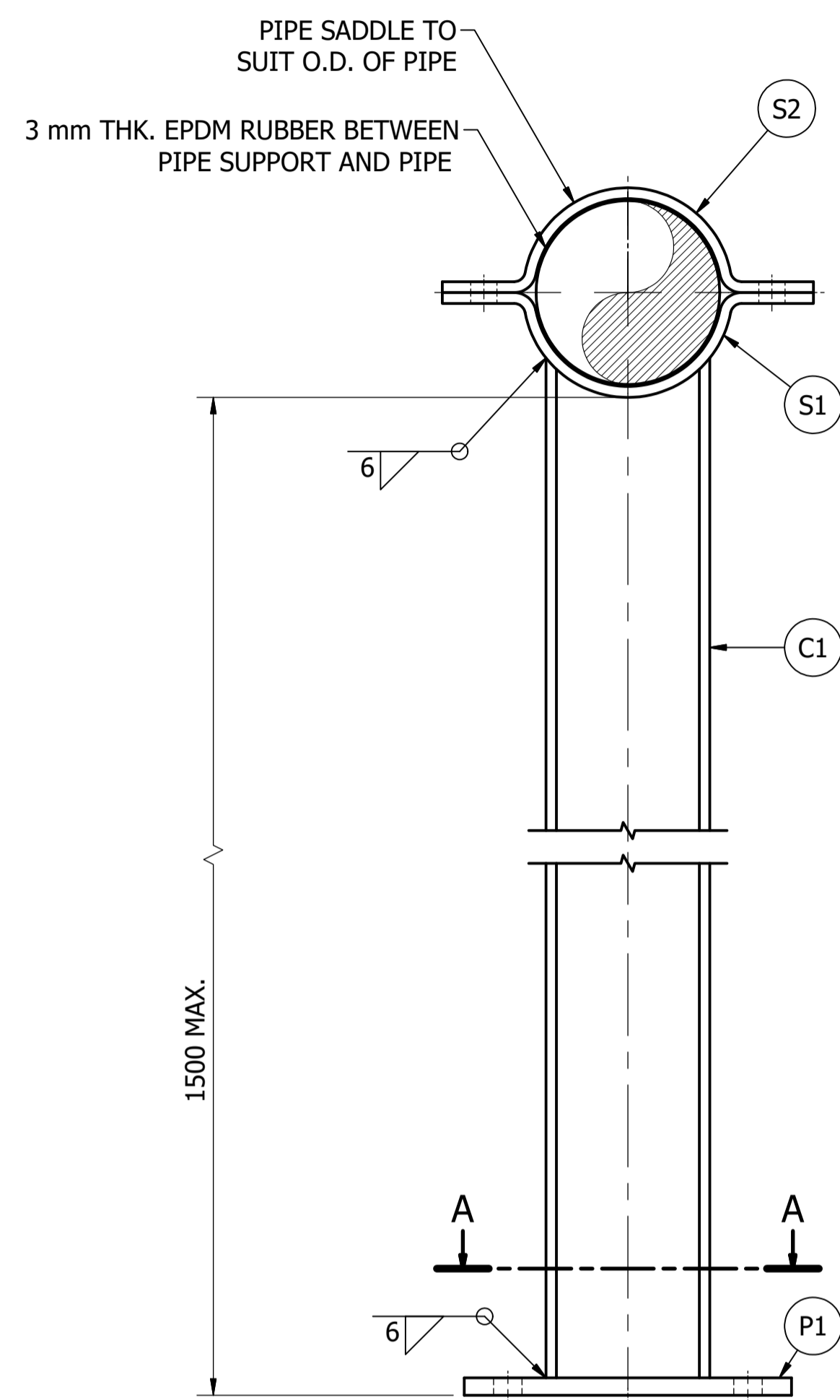
ASSET AREA APPLICABILITY			
DAM	RES	SPS	
BWS	WAT	STP	
WTP	SEW		
WPS	REC		



STANDARD DRAWING
 PIPE SUPPORTS
 HOT DIP GALVANISED
 VERTICAL PIPE SUPPORT - TYPE 1
 DETAILS

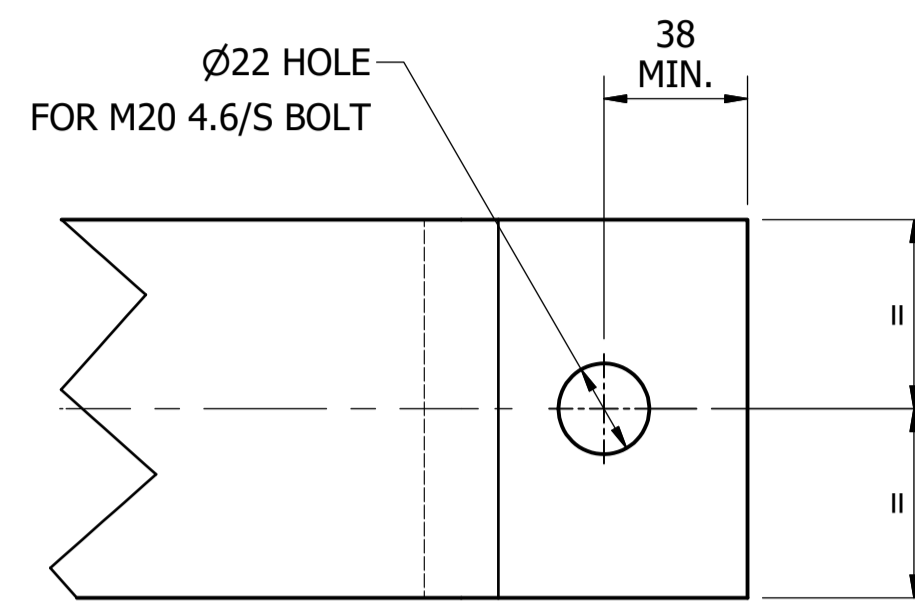
DRAWING STATUS	
Current	
SD-5301-D	
A1	ISSUE A

© Icon Water 2017

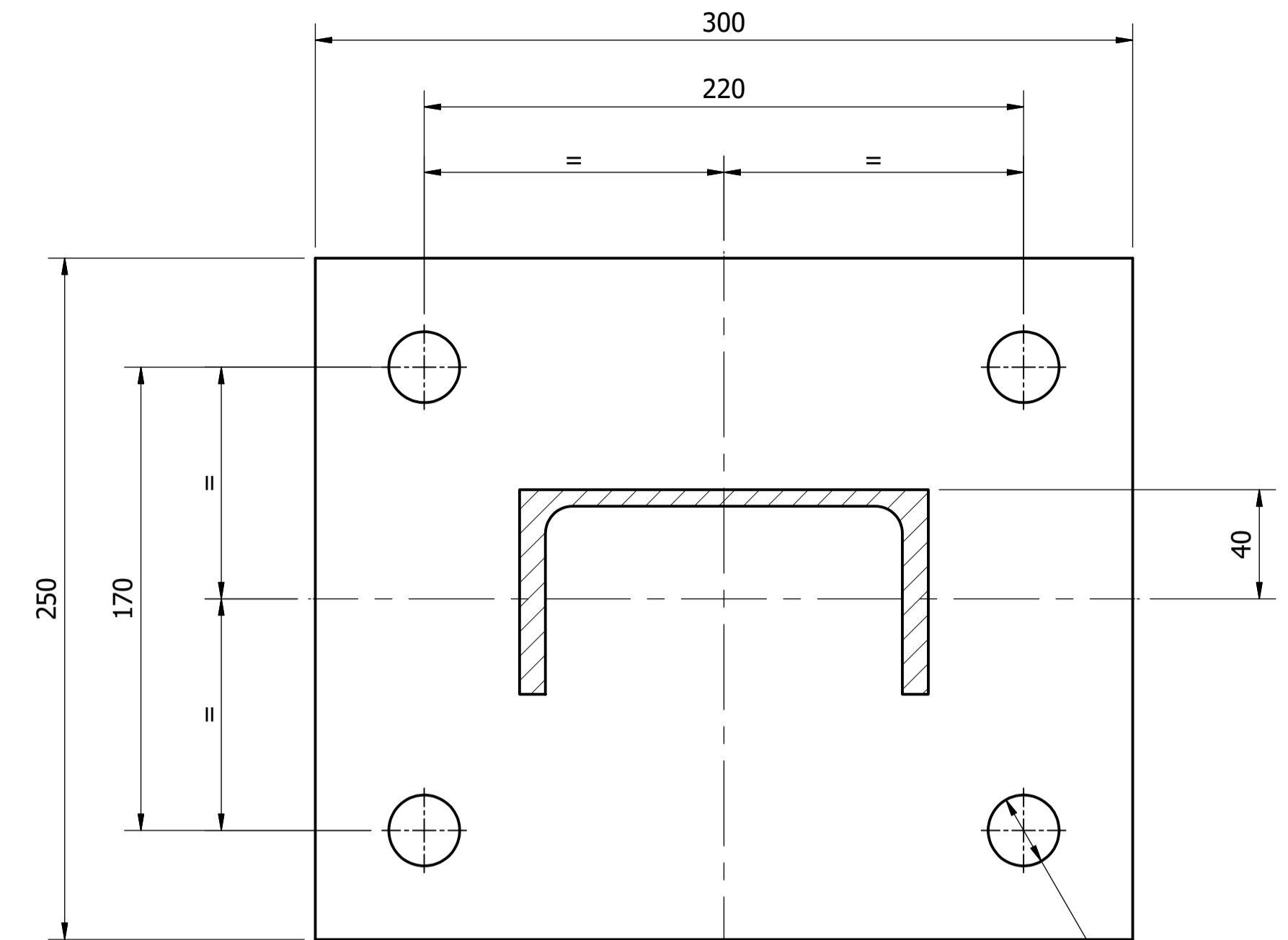


ELEVATION
VERTICAL PIPE SUPPORT - TYPE 2
 FOR PIPES ≤ DN300 ONLY
 SCALE: 1 : 5

MATERIAL: CARBON STEEL
 COATING: HOT DIP GALVANISED
 FINISH COLOUR: N/A
 MASS: APPROX. 45 kg @ 1500 HIGH



ITEM S1, S2
DRILLING DETAILS
 SCALE: 1 : 2



SECTION A-A
 SCALE: 1 : 2

MEMBER SIZES		
MARK	DESCRIPTION	≤ DN300 PIPES
C1	PIPE SUPPORT COLUMN	150 PFC
P1	BASE PLATE	16 PL
S1	PIPE SADDLE BASE	100 x 10 FL
S2	PIPE SADDLE TOP	100 x 10 FL

NOTES:

- FOR STEELWORK NOTES REFER TO DRAWING: SD-9100.
- SUPPORT DESIGNED FOR VERTICAL LOADS ONLY.
- PIPE SUPPORTS APPLICABLE TO FLANGED OR WELDED PIPES ONLY.
- DESIGN LOAD CAPACITY (WORKING LOAD):
 - ≤ DN300 - 50 kN
- OVERSIZE BOLT HOLES REQUIRE 4 mm PLATE WASHER INSTALLED UNDER BOTH NUT AND BOLT HEAD.
- OVERSIZE HOLD DOWN BOLT HOLES REQUIRE 4 mm PLATE WASHER INSTALLED UNDER BOTH NUT HEADS.
- HOLD DOWN ANCHOR BOLTS TO BE M20 SS316 CHEMICAL ANCHORS.
- 20 mm NON-SHRINK GROUT TO BE INSTALLED UNDER ALL PIPE SUPPORTS.

THIS PIPE SUPPORT IS APPLICABLE FOR PIPES ≤DN300 ONLY

ITEM	AMDT.
PN530201	

No.	ISSUE	DATE	DRAWN	CHECKED	AUTHORISED
A	INITIAL ISSUE	15/06/2018	M. Matusiak	K. Danenbergsons	D. Eager

DAM	RES	SPS
BWS	WAT	STP
WTP	SEW	
WPS	REC	
ASSET AREA APPLICABILITY		



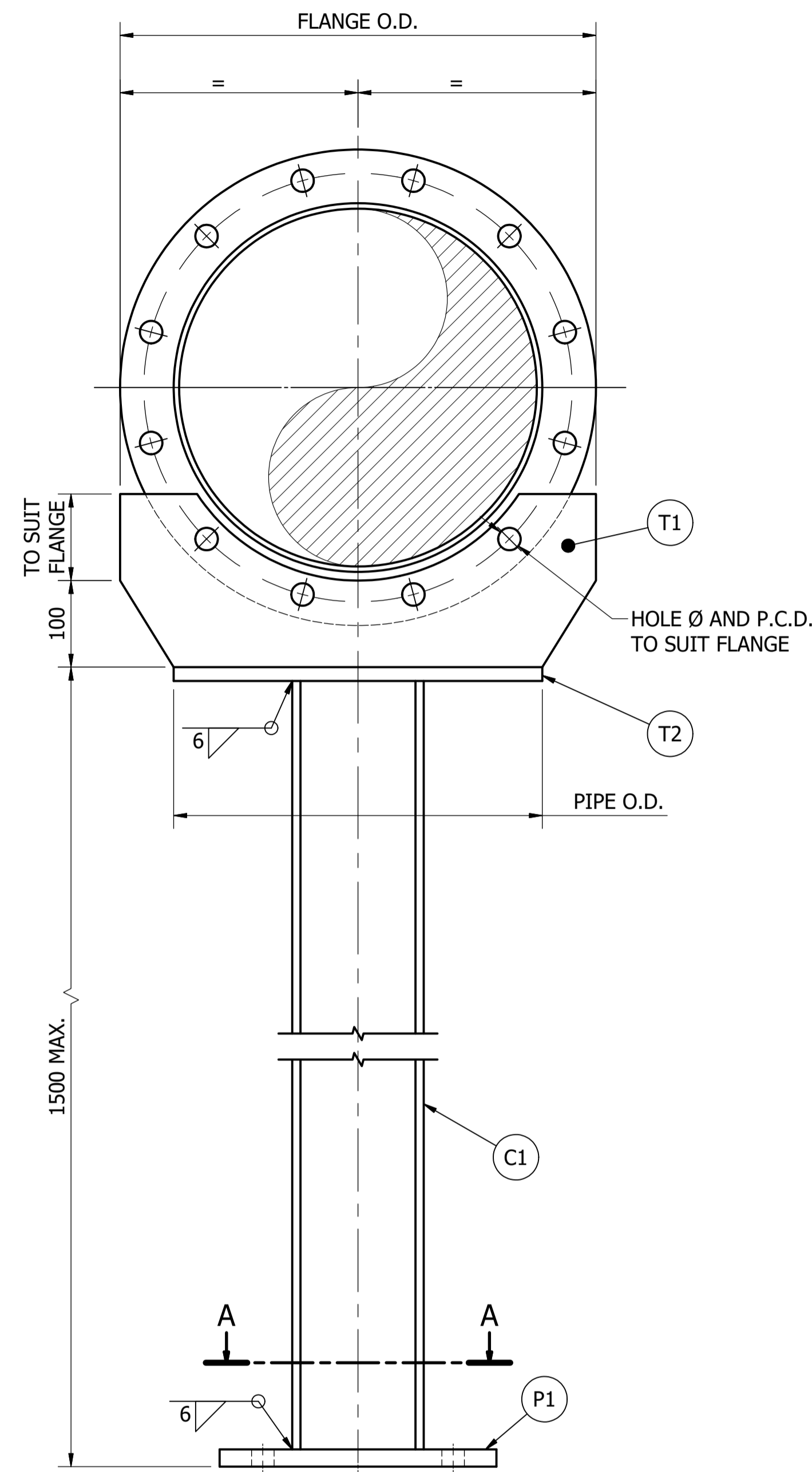
STANDARD DRAWING
 PIPE SUPPORTS
 HOT DIP GALVANISED
 VERTICAL PIPE SUPPORT - TYPE 2
 DETAILS

DRAWING STATUS
 Current

SD-5302-D

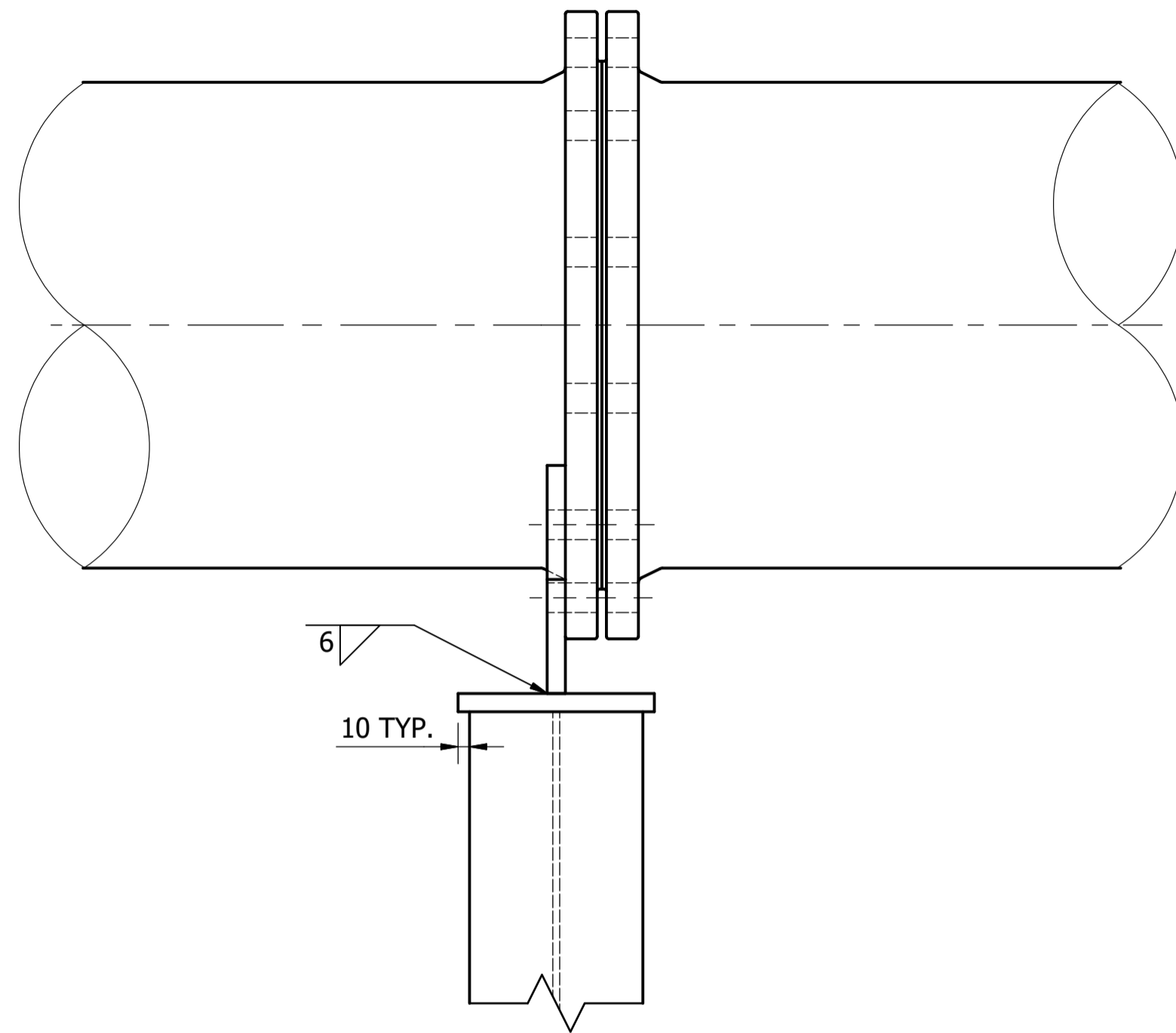
A1 © Icon Water 2017

ISSUE
 A



ELEVATION
VERTICAL PIPE SUPPORT - TYPE 3
SCALE: 1 : 5

MATERIAL: CARBON STEEL
COATING: HOT DIP GALVANISED
FINISH COLOUR: N/A
MASS: APPROX. 80 kg @ 1500 HIGH, DN375

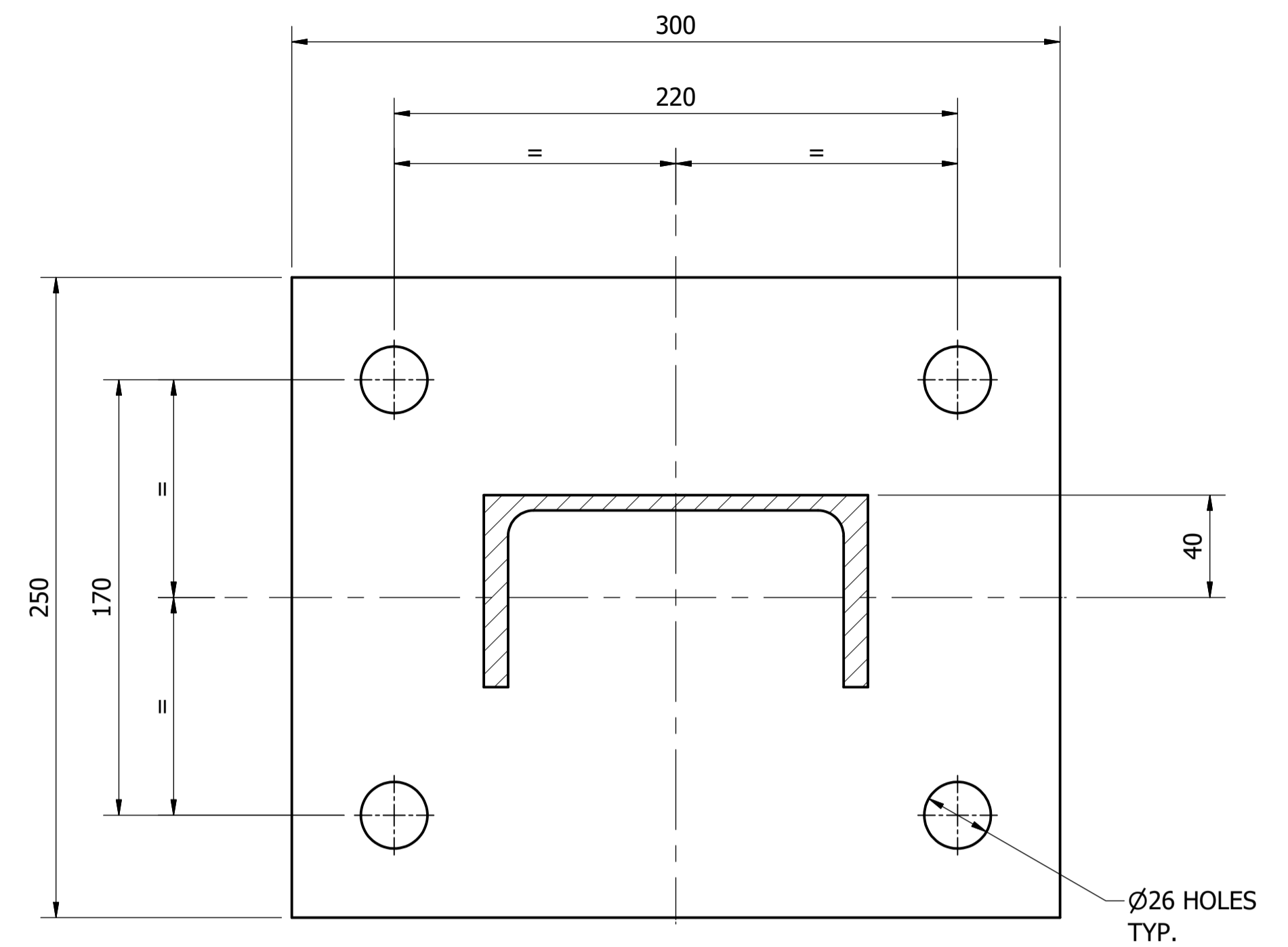


SIDE ELEVATION
CONNECTION TO PIPE
SCALE: 1 : 5

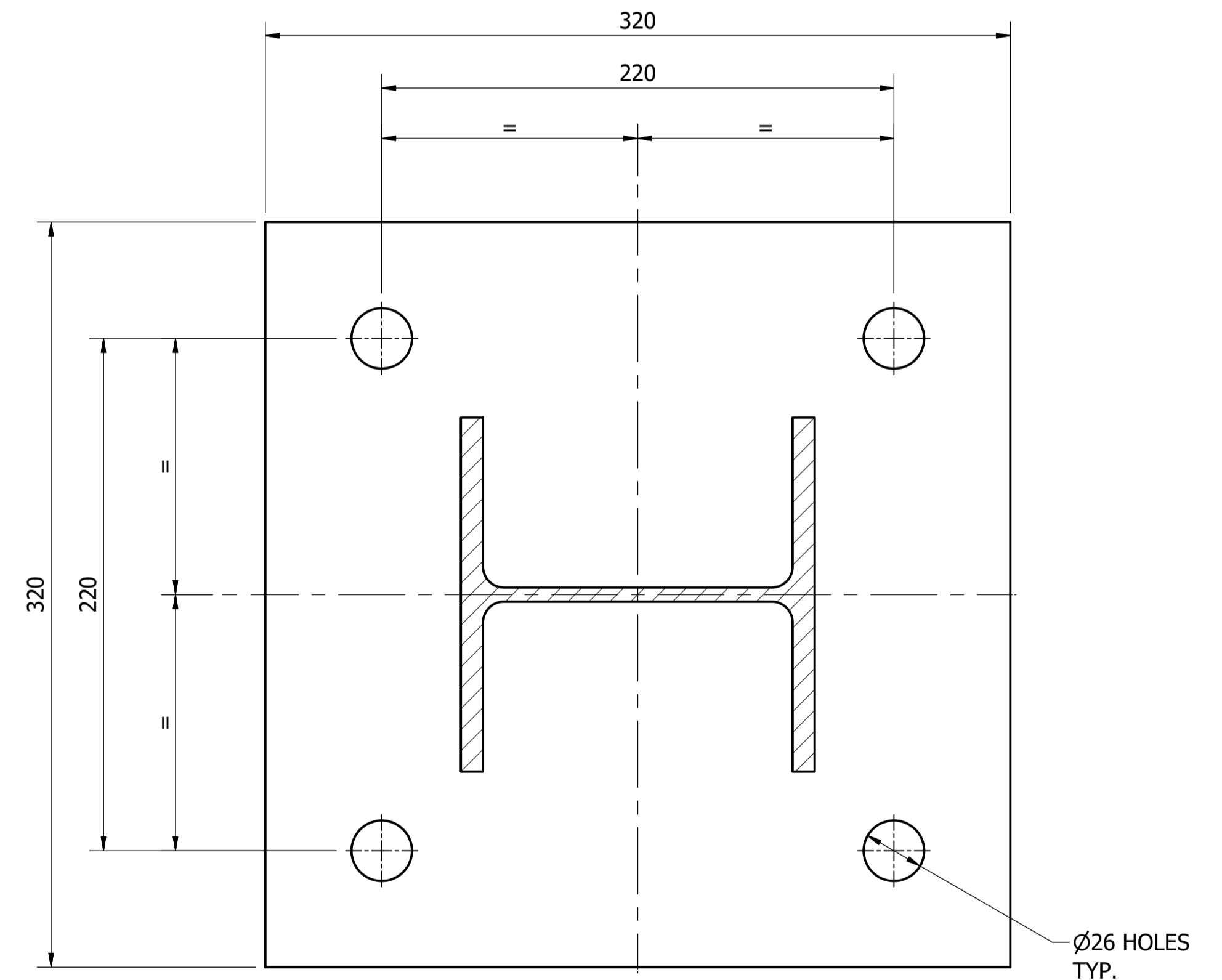
MEMBER SIZES			
MARK	DESCRIPTION	≤ DN300 PIPES	DN350 - DN750 PIPES
C1	PIPE SUPPORT COLUMN	150 PFC	150 UC 23
P1	BASE PLATE	16 PL	20 PL
T1	"T" CLEAT PIPE BRACKET	12 PL	16 PL
T2	"T" CLEAT TOP PLATE	12 PL	16 PL

NOTES:

- FOR STEELWORK NOTES REFER TO DRAWING: SD-9100.
- SUPPORT DESIGNED FOR VERTICAL LOADS ONLY.
- PIPE SUPPORTS APPLICABLE TO FLANGED OR WELDED PIPES ONLY.
- DESIGN LOAD CAPACITY (WORKING LOAD):
 - ≤ DN300 - 50 kN
 - DN350 TO DN750 - 100 kN
- OVERSIZE HOLD DOWN BOLT HOLES REQUIRE 4 mm PLATE WASHER INSTALLED UNDER BOTH NUT HEADS.
- HOLD DOWN ANCHOR BOLTS TO BE M20 SS316 CHEMICAL ANCHORS.
- 20 mm NON-SHRINK GROUT TO BE INSTALLED UNDER ALL PIPE SUPPORTS.



SECTION A-A
FOR PIPES ≤ DN300
SCALE: 1 : 2



SECTION A-A
FOR PIPES DN350 - DN750
SCALE: 1 : 2

ITEM	AMDT.
PN530301	

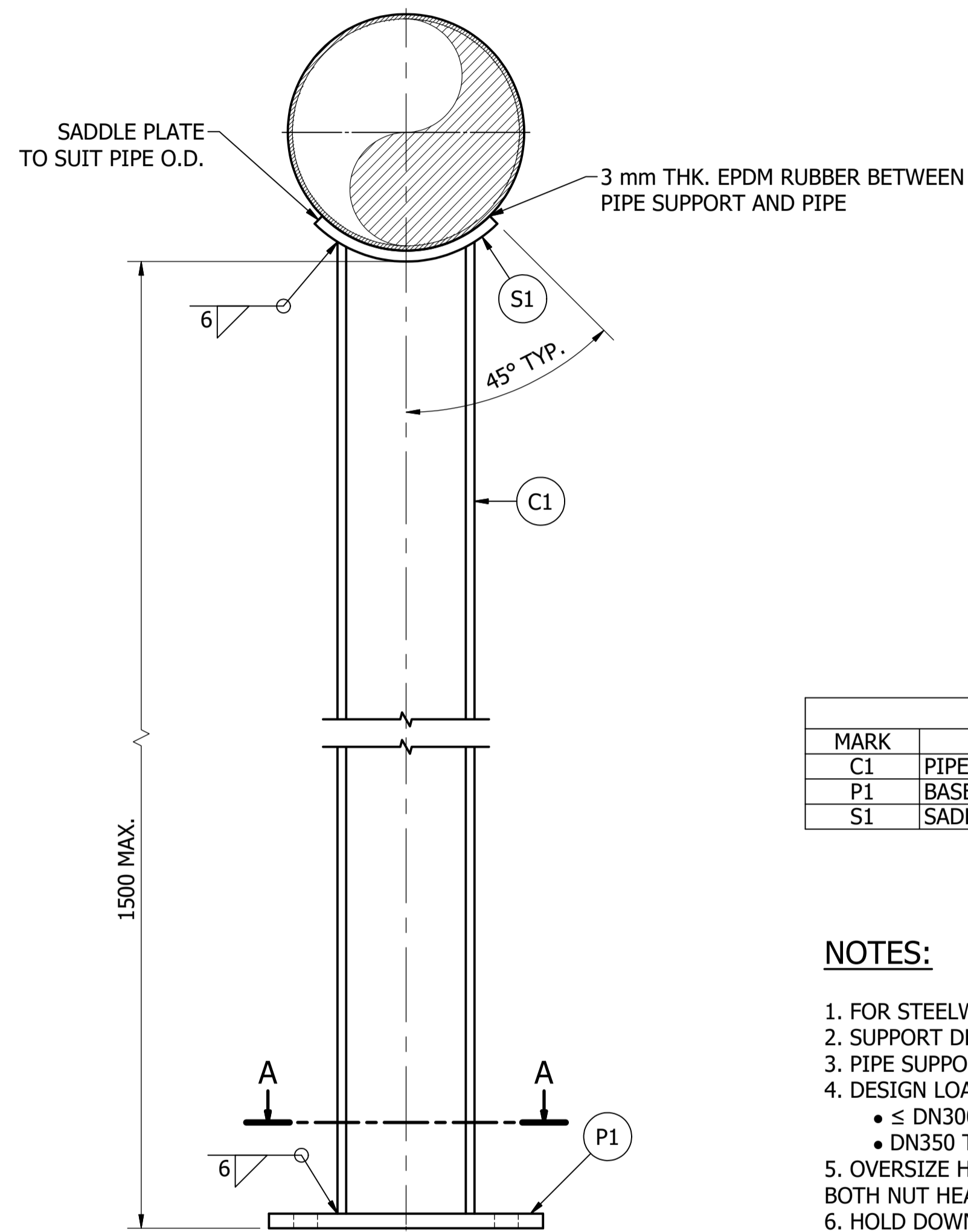
No.	ISSUE	DATE	DRAWN	CHECKED	AUTHORISED
A	INITIAL ISSUE	15/06/2018	M. Matusiak	K. Danenbergsons	D. Eager

DAM	RES	SPS
BWS	WAT	STP
WTP	SEW	
WPS	REC	
ASSET AREA APPLICABILITY		



STANDARD DRAWING
PIPE SUPPORTS
HOT DIP GALVANISED
VERTICAL PIPE SUPPORT - TYPE 3
DETAILS

DRAWING STATUS	
Current	
SD-5303-D	
A1	ISSUE A
© Icon Water 2017	



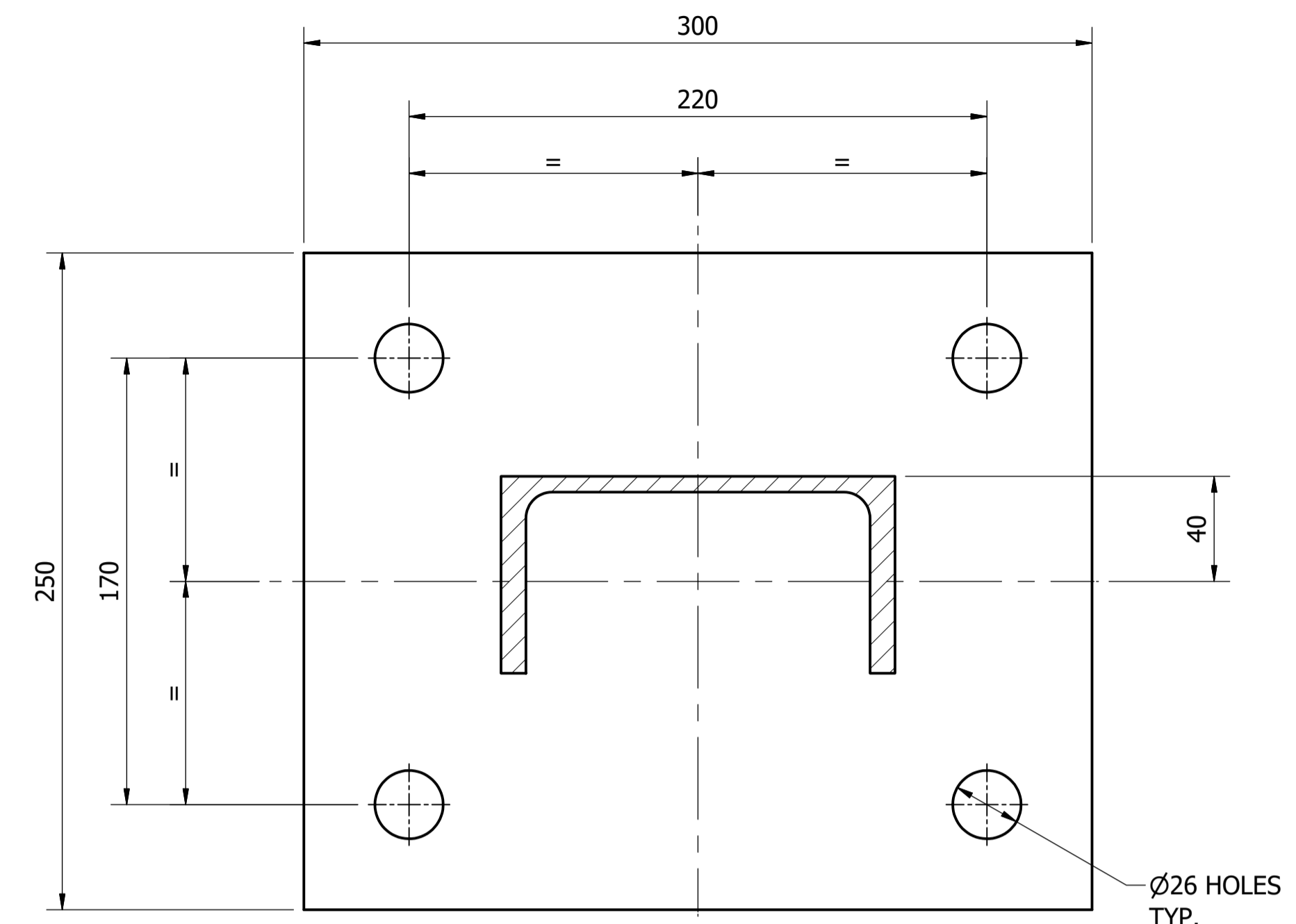
ELEVATION
VERTICAL PIPE SUPPORT - TYPE 4
 SCALE: 1 : 5

MATERIAL: CARBON STEEL
 COATING: HOT DIP GALVANISED
 FINISH COLOUR: N/A
 MASS: APPROX. 40 kg @ 1500 HIGH, DN225

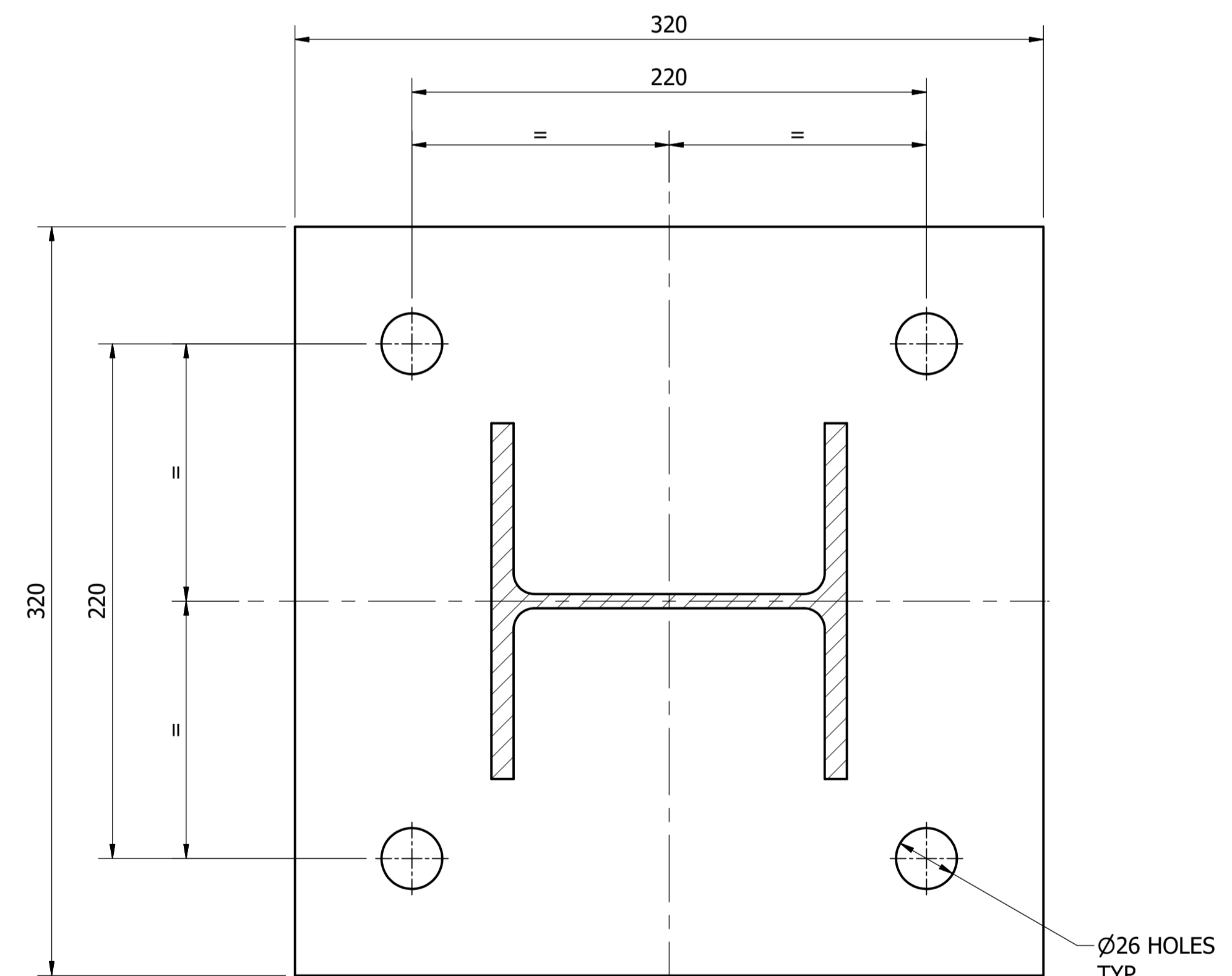
MEMBER SIZES			
MARK	DESCRIPTION	≤ DN300 PIPES	DN350 - DN750 PIPES
C1	PIPE SUPPORT COLUMN	150 PFC	150 UC 23
P1	BASE PLATE	16 PL	20 PL
S1	SADDLE PLATE	150 x 12 FL	150 x 12 FL

NOTES:

- FOR STEELWORK NOTES REFER TO DRAWING: SD-9100.
- SUPPORT DESIGNED FOR VERTICAL LOADS ONLY.
- PIPE SUPPORTS APPLICABLE TO FLANGED OR WELDED PIPES ONLY.
- DESIGN LOAD CAPACITY (WORKING LOAD):
 - ≤ DN300 - 50 kN
 - DN350 TO DN750 - 100 kN
- OVERSIZE HOLD DOWN BOLT HOLES REQUIRE 4 mm PLATE WASHER INSTALLED UNDER BOTH NUT HEADS.
- HOLD DOWN ANCHOR BOLTS TO BE M20 SS316 CHEMICAL ANCHORS.
- 20 mm NON-SHRINK GROUT TO BE INSTALLED UNDER ALL PIPE SUPPORTS.



SECTION A-A
 FOR PIPES ≤ DN300
 SCALE: 1 : 2



SECTION A-A
 FOR PIPES DN350 - DN750
 SCALE: 1 : 2

ITEM	AMDT.
PN530401	

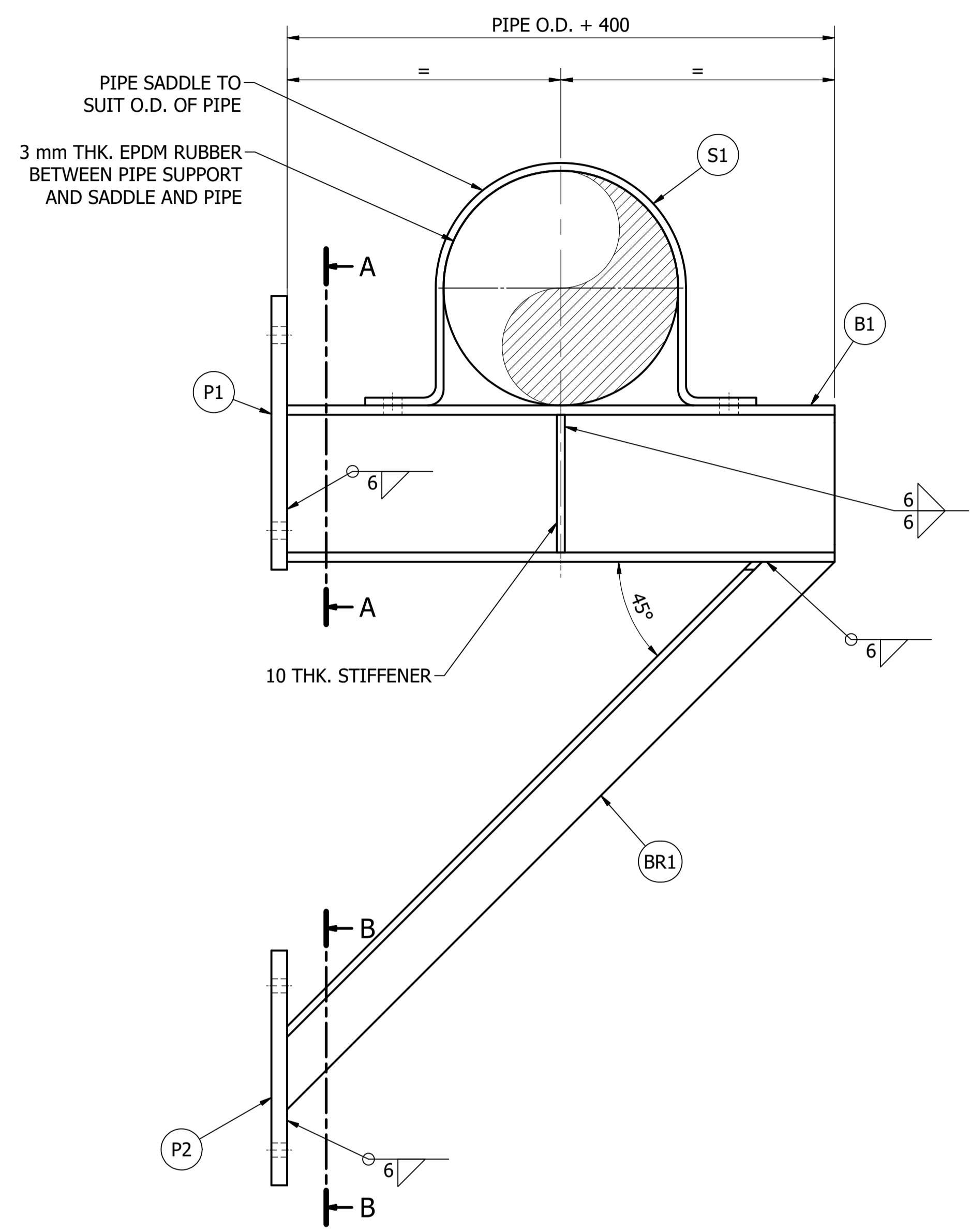
No.	ISSUE	DATE	DRAWN	CHECKED	AUTHORISED
A	INITIAL ISSUE	16/05/2018	M. Matusiak	K. Danenbergsons	D. Eager

ASSET AREA APPLICABILITY				
DAM	RES	SPS		
BWS	WAT	STP		
WTP	SEW			
WPS	REC			

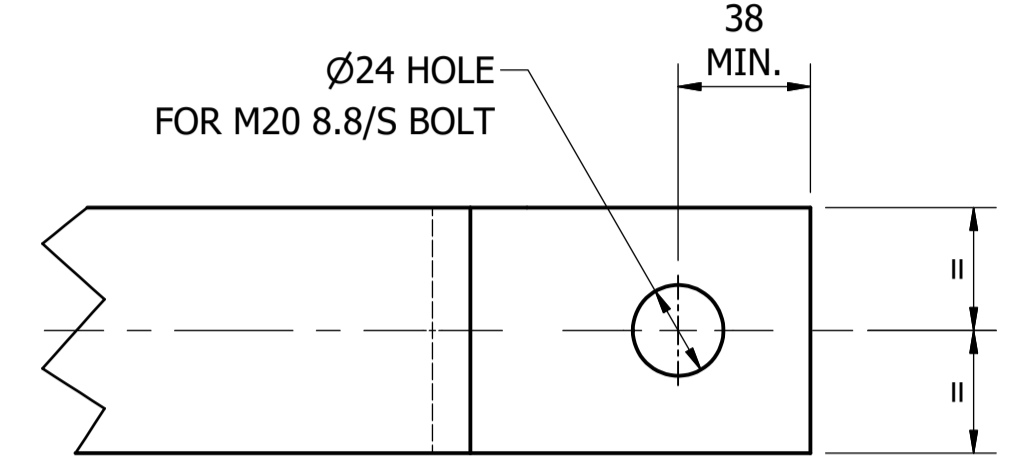


STANDARD DRAWING
 PIPE SUPPORTS
 HOT DIP GALVANISED
 VERTICAL PIPE SUPPORT - TYPE 4
 DETAILS

DRAWING STATUS	
Current	
SD-5304-D	
A1	ISSUE A
© Icon Water 2017	



ELEVATION
BRACED CANTILEVER PIPE SUPPORT
 SCALE: 1 : 5
 MATERIAL: CARBON STEEL
 COATING: HOT DIP GALVANISED
 FINISH COLOUR: N/A
 MASS: APPROX. 60 kg @ DN300

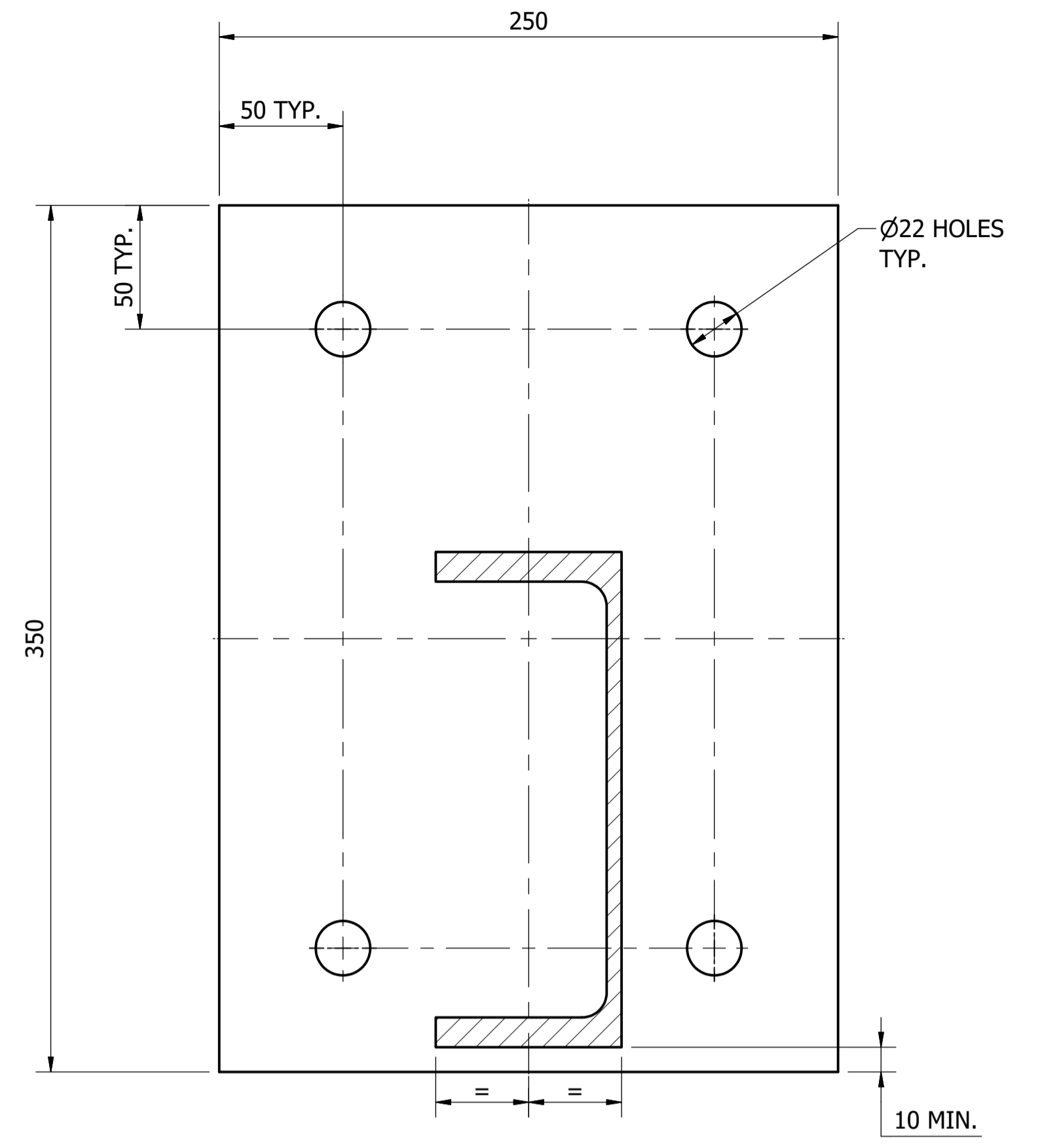


ITEM S1
DRILLING DETAILS
 SCALE: 1 : 2

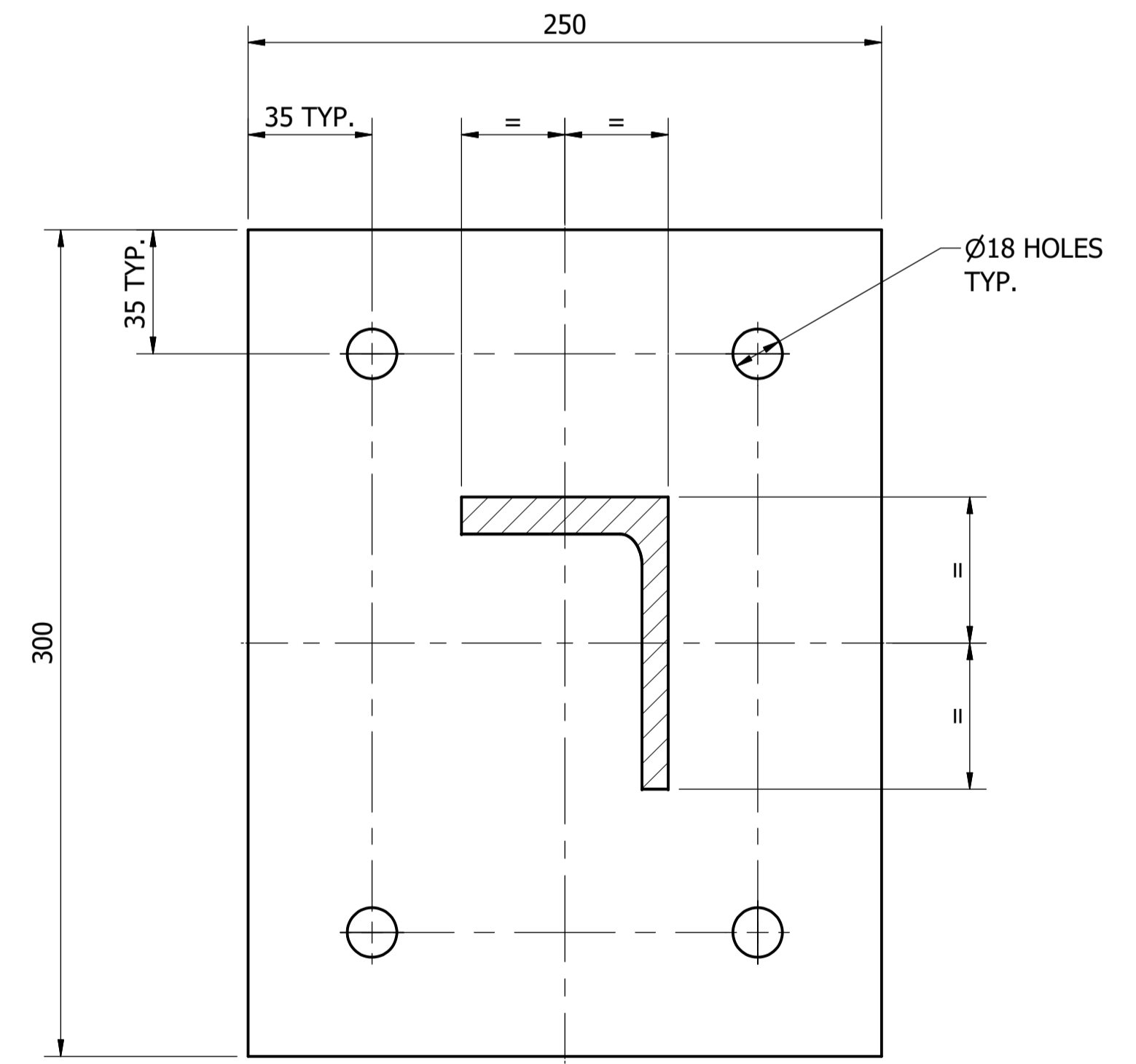
MEMBER SIZES		
MARK	DESCRIPTION	≤ DN300 PIPES
B1	PIPE SUPPORT BEAM	200 PFC
BR1	BRACE	75 x 10 EA
P1	UPPER END PLATE	20 PL
P2	LOWER END PLATE	20 PL
S1	PIPE SADDLE	65 x 10 FL

- NOTES:**
- FOR STEELWORK NOTES REFER TO DRAWING: SD-9100.
 - PIPE SUPPORTS APPLICABLE TO FLANGED OR WELDED PIPES ONLY.
 - DESIGN LOAD CAPACITY (WORKING LOAD):
 - ≤ DN300 - 50 kN
 - HOLD DOWN ANCHOR BOLTS TO BE M20 SS316 CHEMICAL ANCHORS & M16 SS316 FOR TOP AND BOTTOM PLATES RESPECTIVELY.
 - 10 mm NON-SHRINK GROUT TO BE INSTALLED UNDER ALL PIPE SUPPORTS.
 - PIPE SUPPORT SUBSTRATE MATERIAL TO BE CONCRETE NOT BRICK. FOR CONNECTION TO BRICK SUBSTRATE ANCHOR CONNECTION TO BE ASSESSED.

THIS PIPE SUPPORT IS APPLICABLE FOR PIPES ≤DN300 ONLY



SECTION A-A
 SCALE: 1 : 2



SECTION B-B
 SCALE: 1 : 2

ITEM	AMDT.
PN530501	

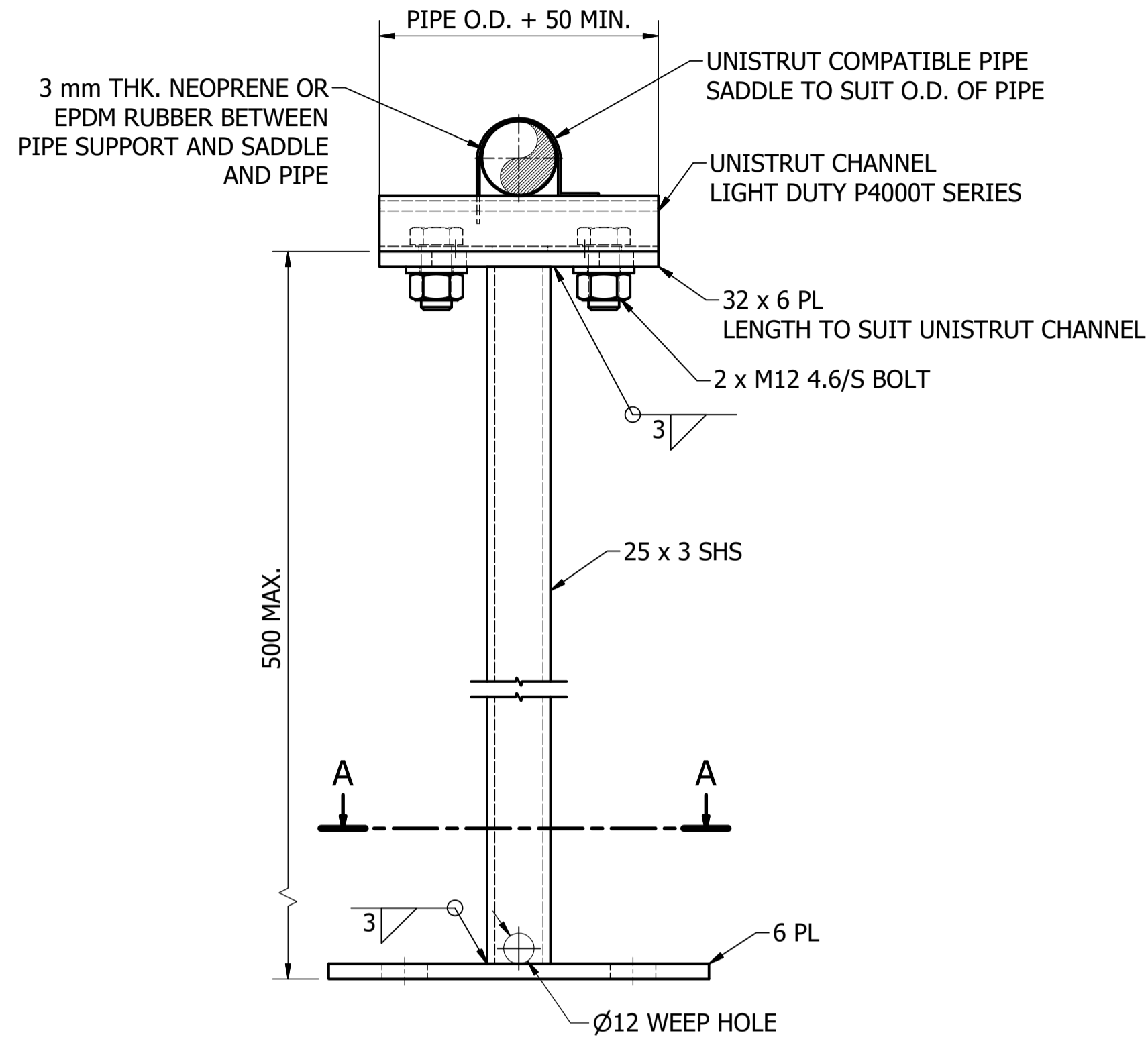
No.	ISSUE	DATE	DRAWN	CHECKED	AUTHORISED
A	INITIAL ISSUE	16/05/2018	M. Matusiak	K. Danenbergs	D. Eager

DAM	RES	SPS
BWS	WAT	STP
WTP	SEW	
WPS	REC	
ASSET AREA APPLICABILITY		

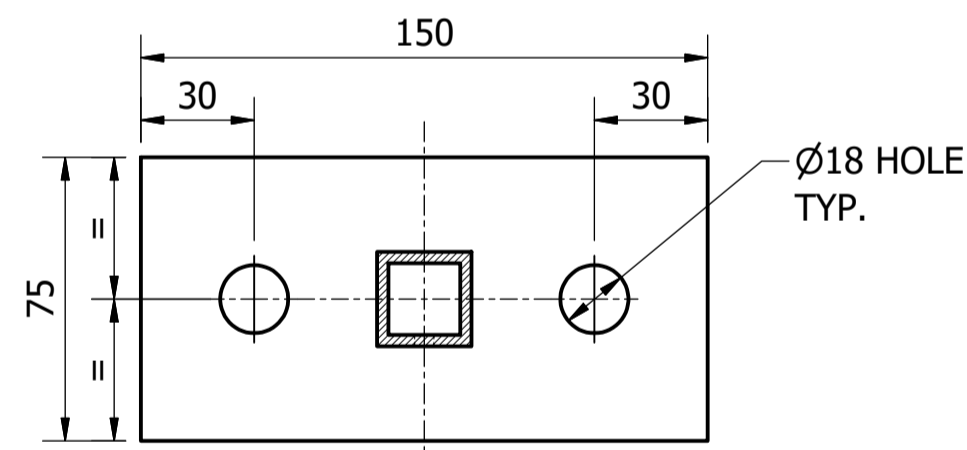


STANDARD DRAWING
 PIPE SUPPORTS
 HOT DIP GALVANISED
 BRACED CANTILEVER PIPE SUPPORT
 DETAILS

DRAWING STATUS		Current
SD-5305-D		ISSUE A
A1	© Icon Water 2017	



ELEVATION
SCALE: 1 : 2



SECTION A-A
BASE PLATE
SCALE: 1 : 2

THIS PIPE SUPPORT IS APPLICABLE FOR PIPES ≤ DN80 ONLY

LIGHT DUTY VERTICAL
PIPE SUPPORT

MATERIAL: CARBON STEEL
COATING: HOT DIP GALVANISED
FINISH COLOUR: N/A
MASS: 2.5 kg @ 500 HIGH

NOTES:

1. FOR STEELWORK NOTES REFER TO DRAWING SD-9100.
2. HOLD DOWN ANCHOR BOLTS TO BE M16 SS316 CHEMICAL ANCHORS.
3. 20 mm NON-SHRINK GROUT TO BE INSTALLED UNDER ALL PIPE SUPPORTS.

ITEM	AMDT.
PN530601	

No.	ISSUE	DATE	DRAWN	CHECKED	AUTHORISED
A	INITIAL ISSUE	15/06/2018	S. Essery	K. Danenbergsons	D. Eager

ASSET AREA APPLICABILITY				
DAM	RES	SPS	WAT	STP
BWS	WAT	STP	WTP	SEW
WPS	REC			



STANDARD DRAWING
PIPE SUPPORTS
HOT DIP GALVANISED
LIGHT DUTY TYPE
DETAILS

DRAWING STATUS		Current
SD-5306-D		ISSUE A
A1	© Icon Water 2017	