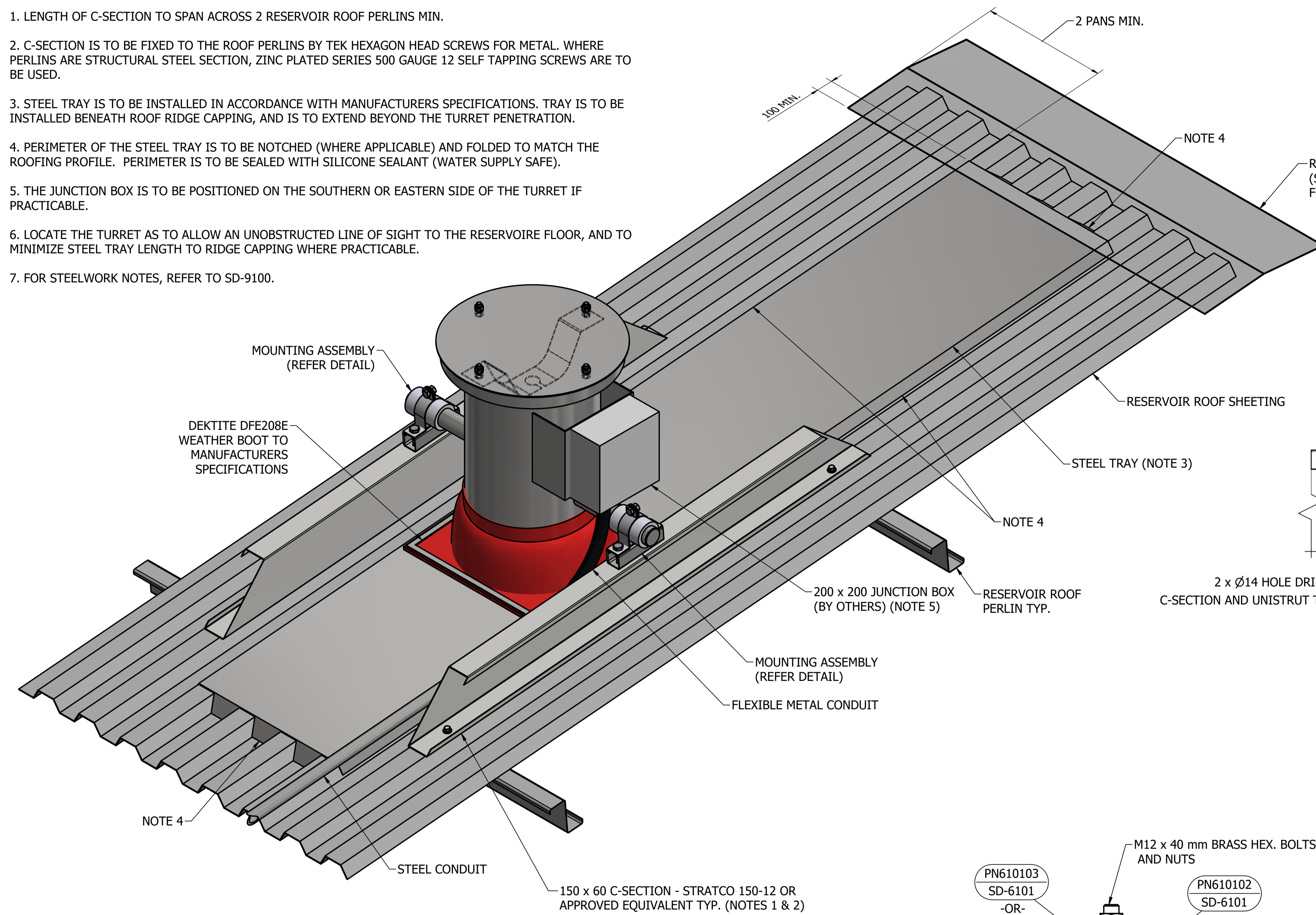
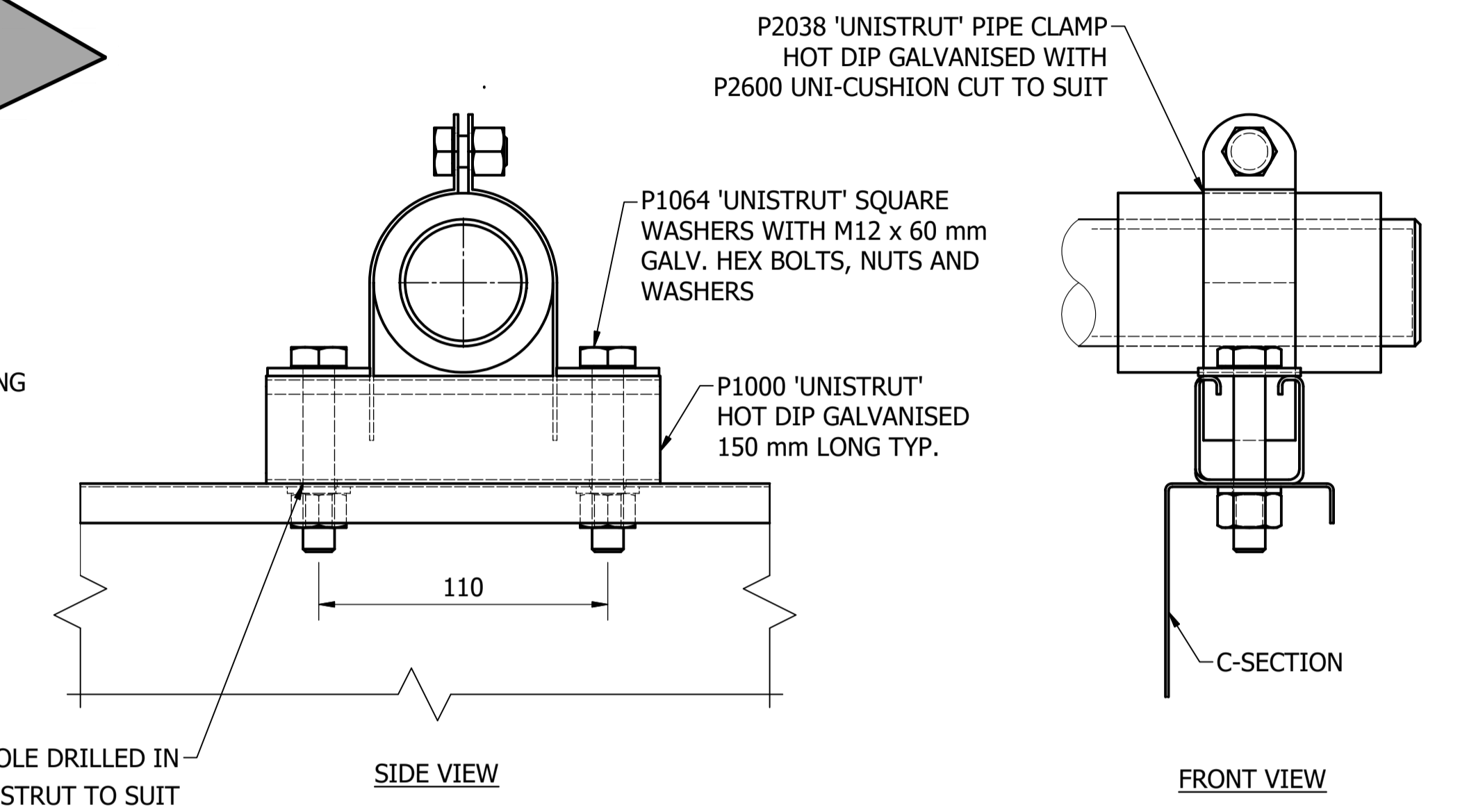


NOTES:

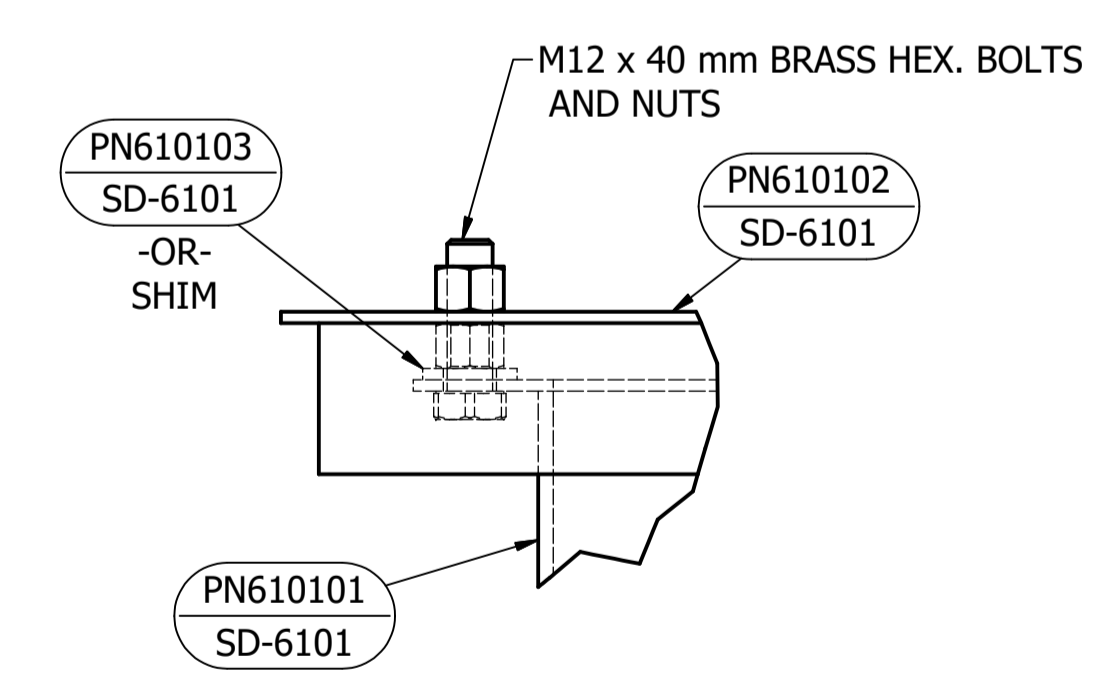
1. LENGTH OF C-SECTION TO SPAN ACROSS 2 RESERVOIR ROOF PERLINS MIN.
2. C-SECTION IS TO BE FIXED TO THE ROOF PERLINS BY TEK HEXAGON HEAD SCREWS FOR METAL. WHERE PERLINS ARE STRUCTURAL STEEL SECTION, ZINC PLATED SERIES 500 GAUGE 12 SELF TAPPING SCREWS ARE TO BE USED.
3. STEEL TRAY IS TO BE INSTALLED IN ACCORDANCE WITH MANUFACTURERS SPECIFICATIONS. TRAY IS TO BE INSTALLED BENEATH ROOF RIDGE CAPPING, AND IS TO EXTEND BEYOND THE TURRET PENETRATION.
4. PERIMETER OF THE STEEL TRAY IS TO BE NOTCHED (WHERE APPLICABLE) AND FOLDED TO MATCH THE ROOFING PROFILE. PERIMETER IS TO BE SEALED WITH SILICONE SEALANT (WATER SUPPLY SAFE).
5. THE JUNCTION BOX IS TO BE POSITIONED ON THE SOUTHERN OR EASTERN SIDE OF THE TURRET IF PRACTICABLE.
6. LOCATE THE TURRET AS TO ALLOW AN UNOBSTRUCTED LINE OF SIGHT TO THE RESERVOIRE FLOOR, AND TO MINIMIZE STEEL TRAY LENGTH TO RIDGE CAPPING WHERE PRACTICABLE.
7. FOR STEELWORK NOTES, REFER TO SD-9100.



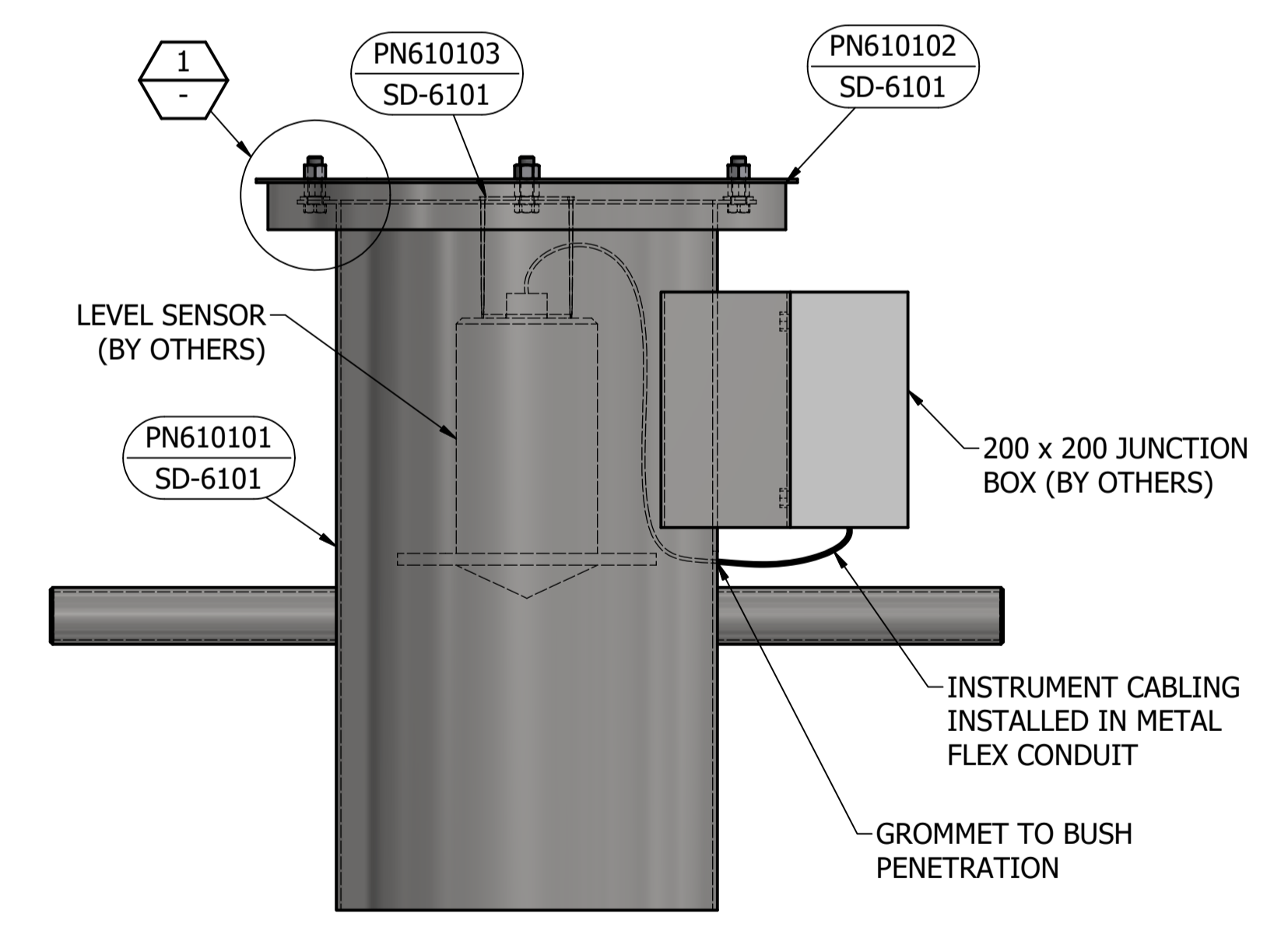
**ISOMETRIC VIEW
TURRET INSTALLATION
ARRANGEMENT AND DETAILS**
SCALE: N.T.S



MOUNTING ASSEMBLY DETAIL
SCALE: 1 : 2



**DETAIL 1
LID AND BRACKET ARRANGEMENT**
SCALE: 1 : 2



**FRONT VIEW
TURRET ASSEMBLY DETAILS**
SCALE: 1 : 5

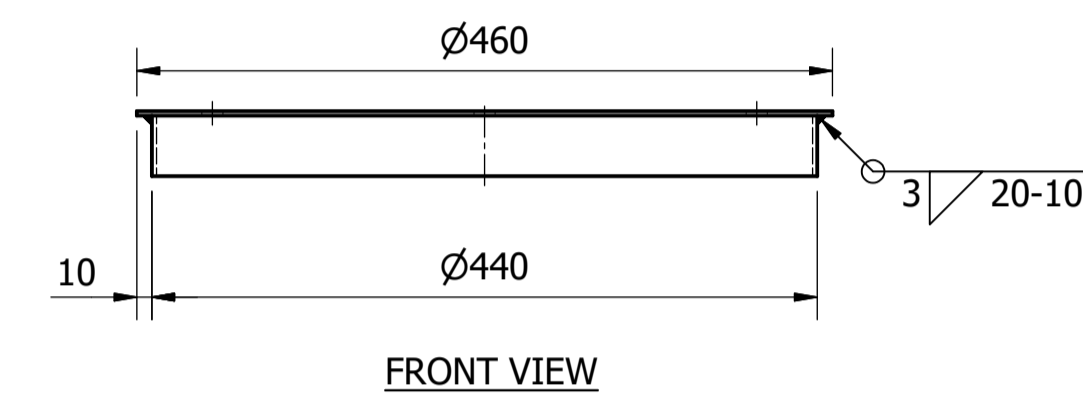
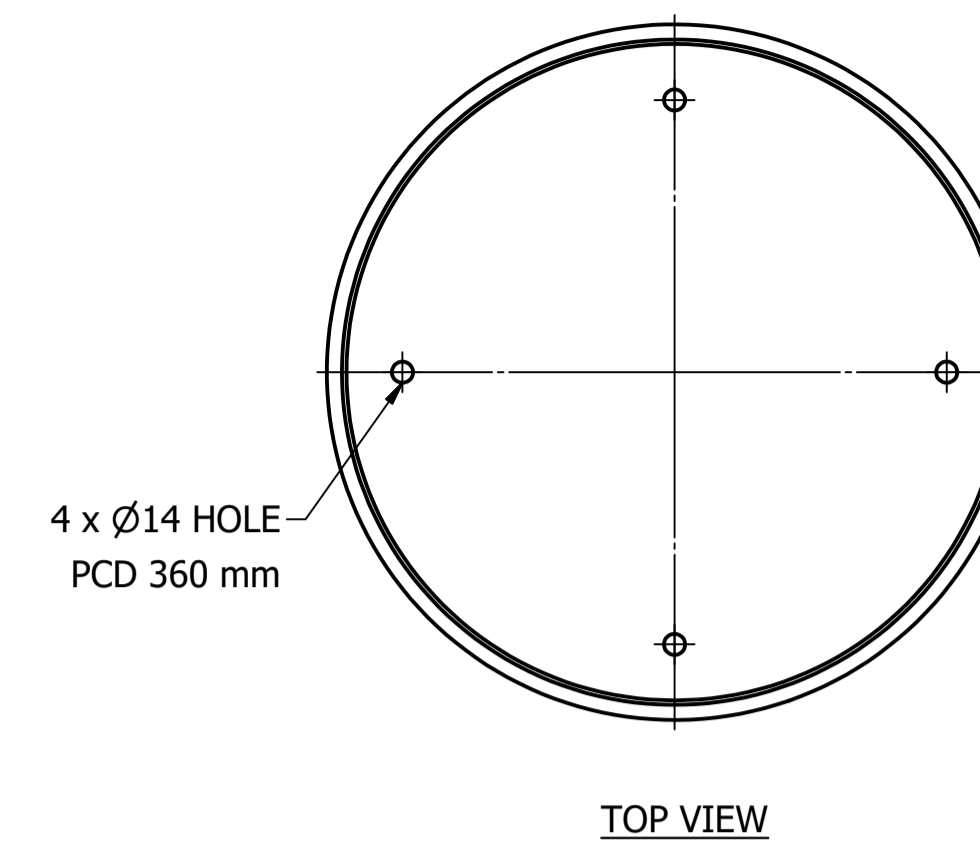
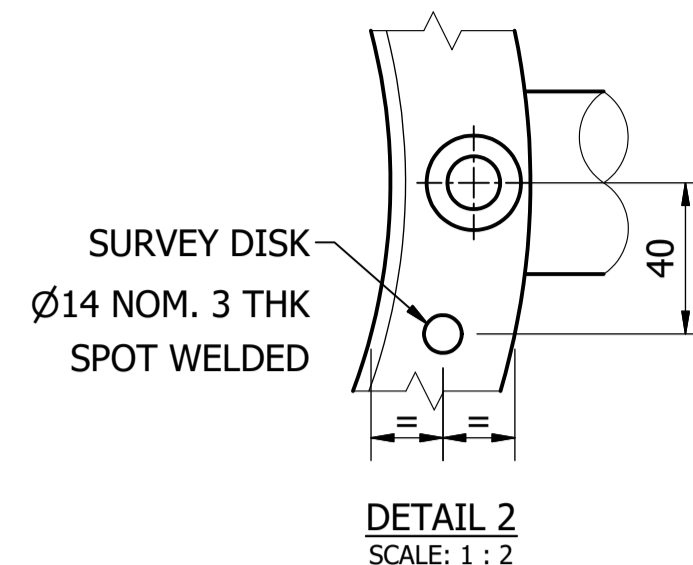
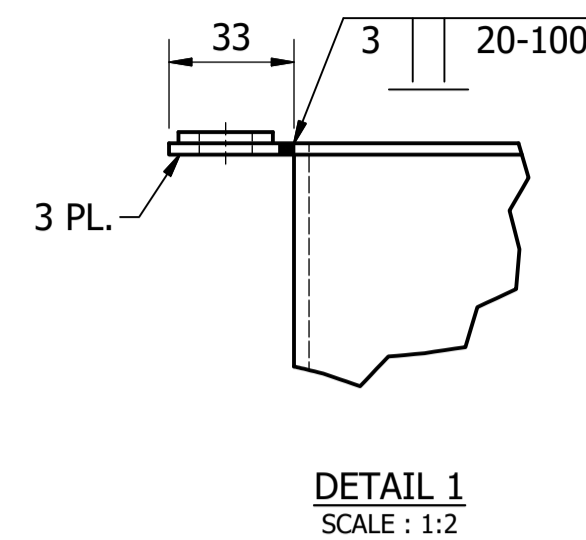
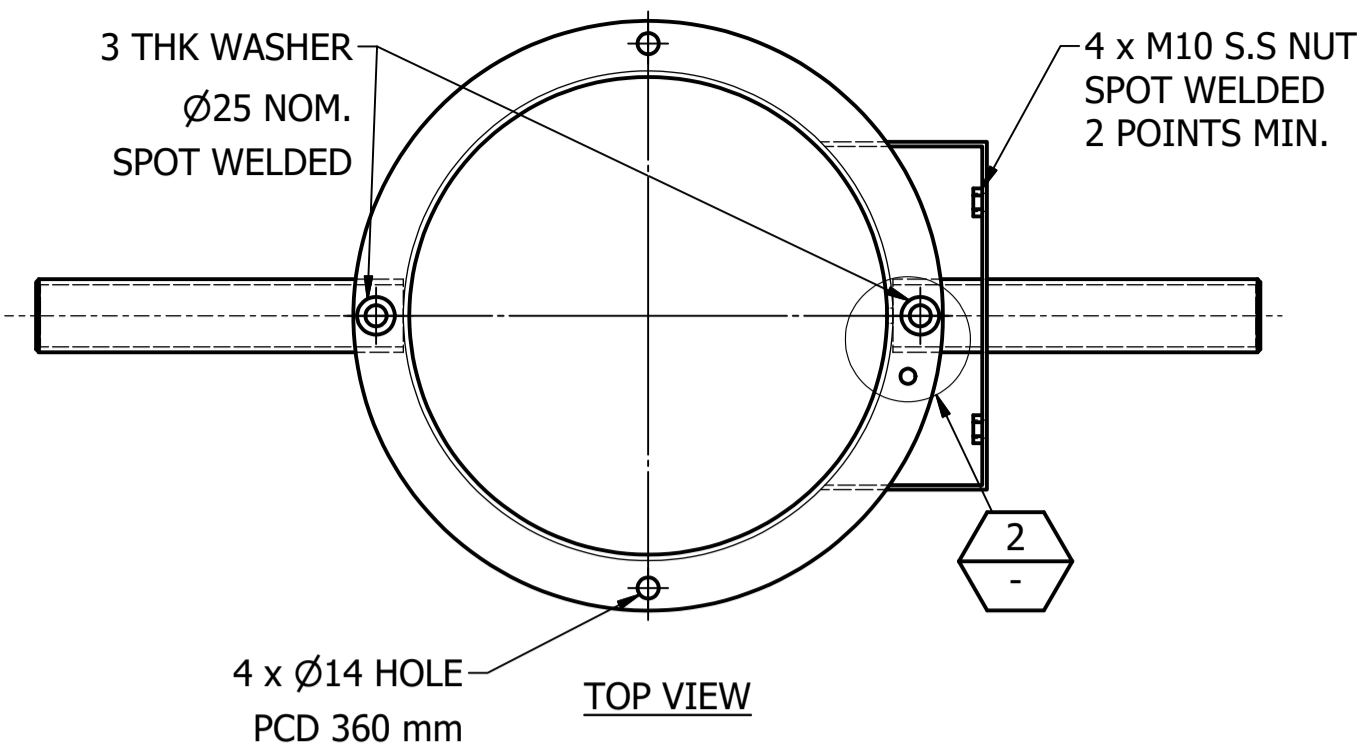
No.	ISSUE	DATE	DRAWN	CHECKED	AUTHORISED
A	INITIAL ISSUE	15/06/2018	C. Dickson	K. Danenbergsons	D. Eager
B	REDRAWN TO INCORPORATE DESIGN UPDATES	26/04/2019	S. Essery	I. McRae	D. Eager

DAM	RES	SPS
		X
BWS	WAT	STP
		X
WTP	SEW	
WPS	REC	

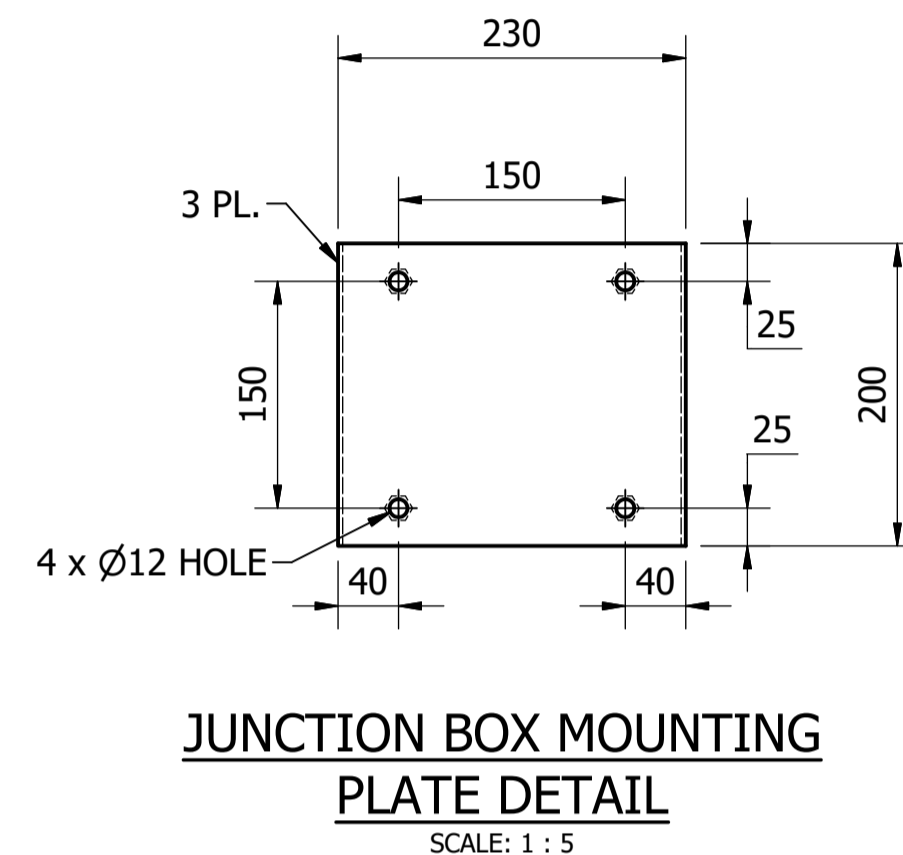
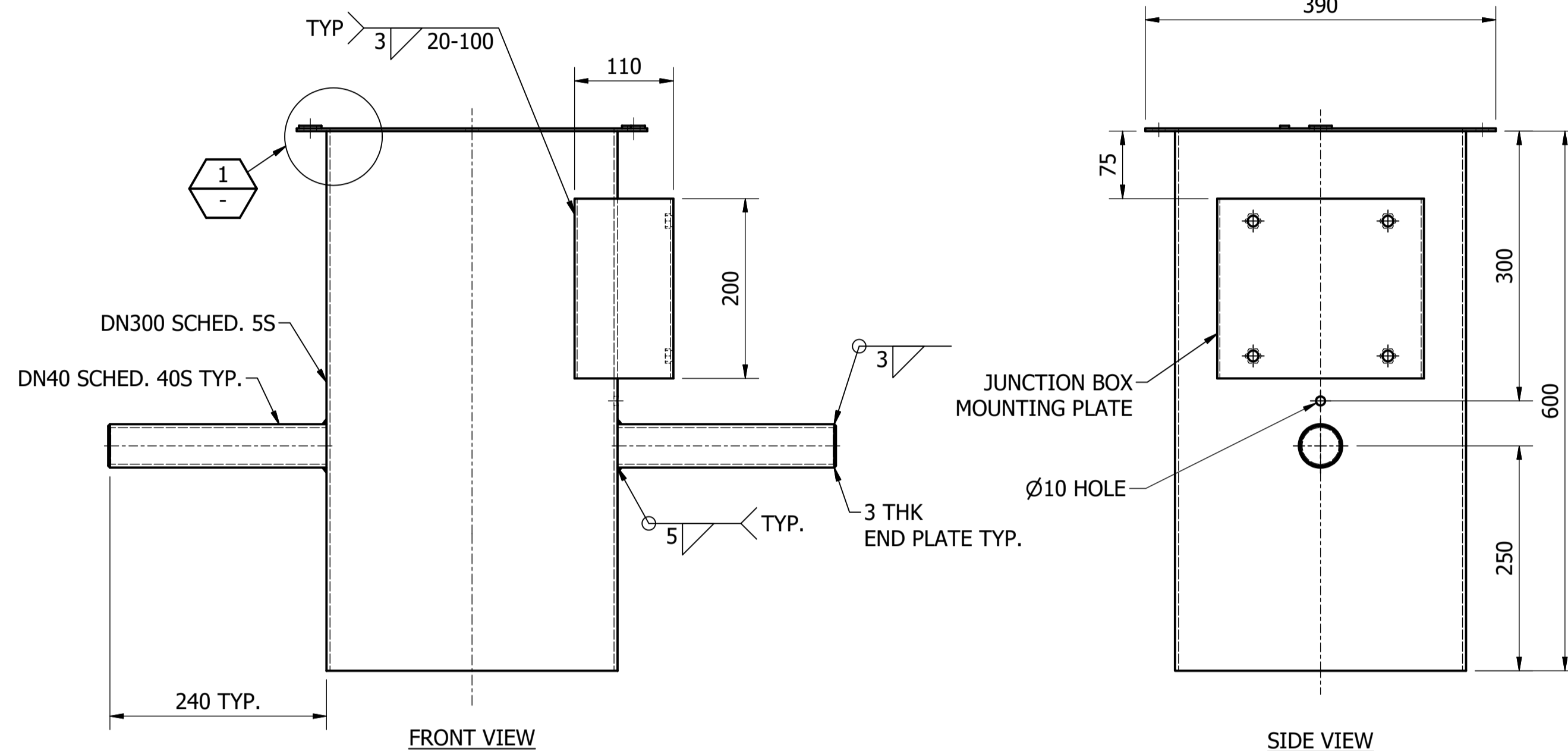


STANDARD DRAWING
RESERVOIRS
LEVEL SENSOR SUPPORT COLUMN
GENERAL ARRANGEMENT
AND INSTALLATION DETAILS

DRAWING STATUS	Current
SD-6100-D	
© Icon Water 2017	ISSUE B

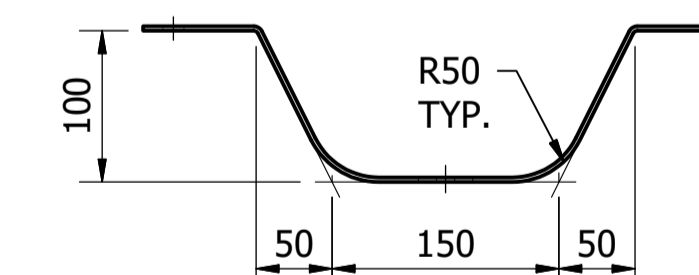
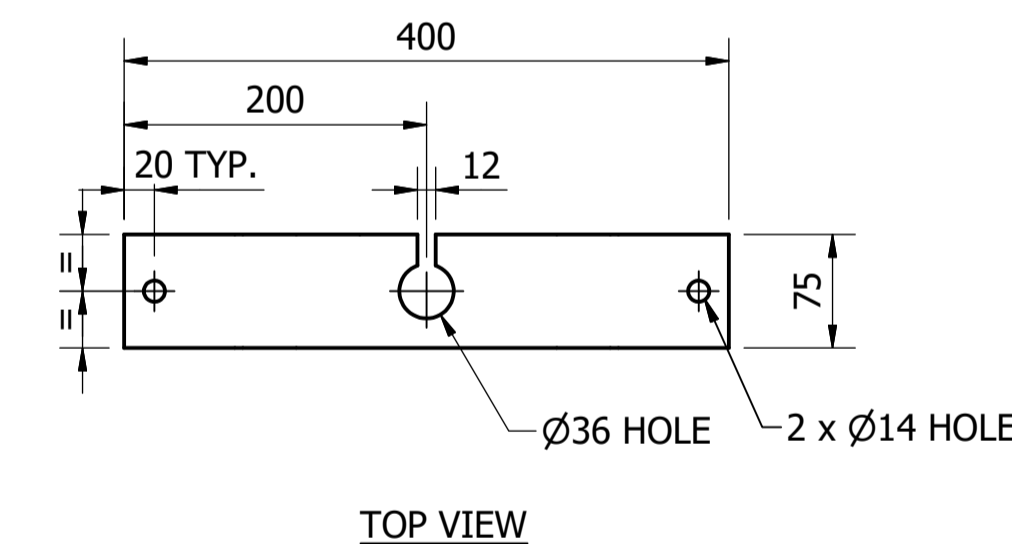


LID
SCALE: 1 : 5
MATERIAL: STAINLESS STEEL GRADE 316, 3 THK
COATING: N/A
FINISH COLOUR: MILL
MASS: 5 kg APPROX.



SUPPORT COLUMN
SCALE: 1 : 5
MATERIAL: STAINLESS STEEL
COATING: POWDER COATING
FINISH COLOUR: MILL
MASS: 30 kg APPROX.

ITEM	AMDT.
PN610102	



RADAR BRACKET
SCALE: 1 : 5
MATERIAL: STAINLESS STEEL GRADE 316, 3 THK
COATING: N/A
FINISH COLOUR: MILL
MASS: 1 kg

ITEM	AMDT.
PN610103	

ITEM	AMDT.
PN610101	

NOTES:

- FOR ALL NOTES, REFER TO SD-6100.

DAM	RES	SPS
		X
BWS	WAT	STP
		X
WTP	SEW	
WPS	REC	



STANDARD DRAWING
RESERVOIRS
LEVEL SENSOR SUPPORT COLUMN
COLUMN, LID AND BRACKET
DETAILS

DRAWING STATUS
Current
SD-6101-D
© Icon Water 2017

No.	ISSUE	DATE	DRAWN	CHECKED	AUTHORISED
A	INITIAL ISSUE	15/06/2018	C. Dickson	K. Danenbergsons	D. Eager
B	REDRAWN TO INCORPORATE DESIGN UPDATES	26/04/2019	S. Essery	I. McRae	D. Eager

ISSUE B