

1 2 3 4 5 6 7 8 9 10 11 12

A

B

C

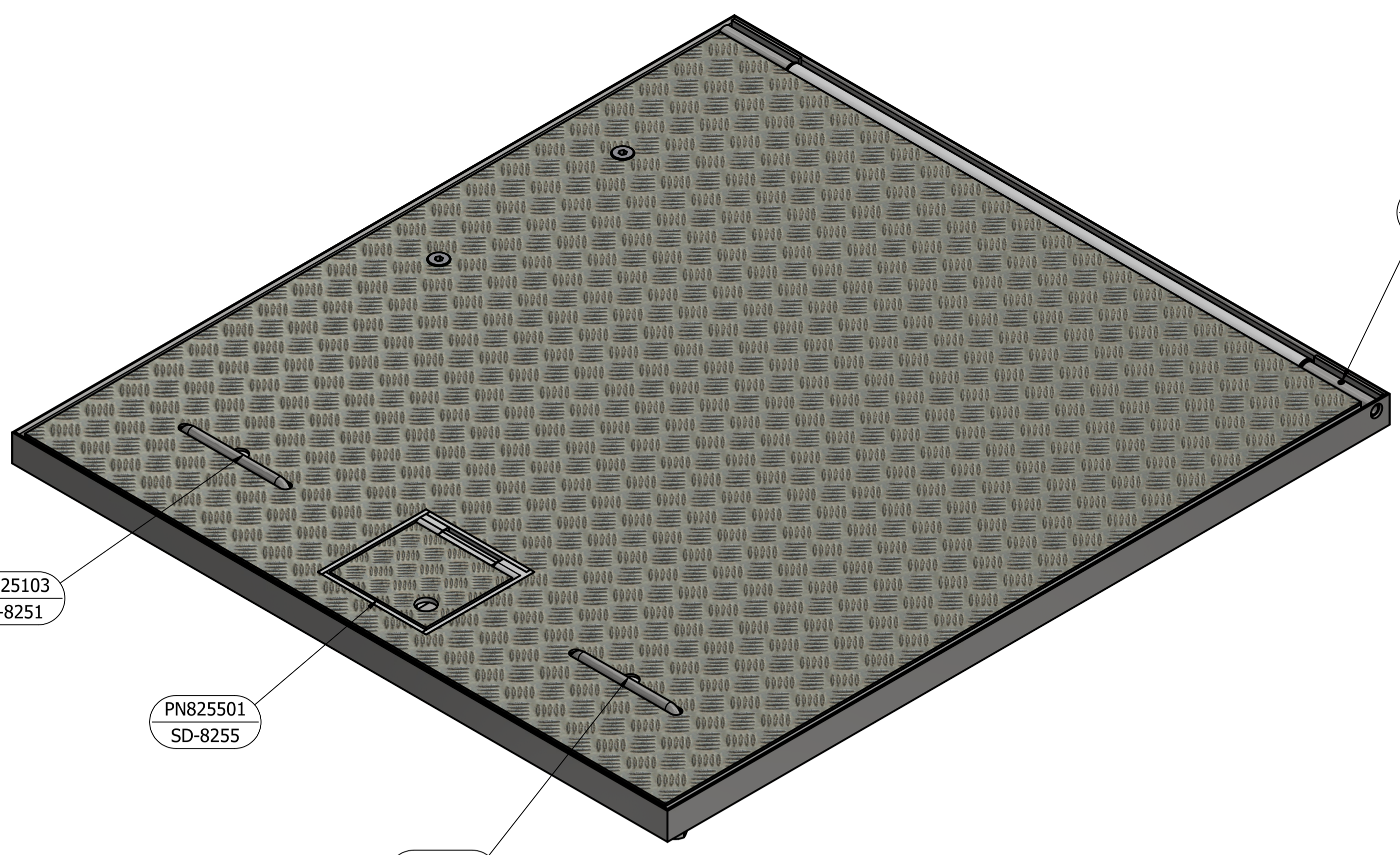
D

E

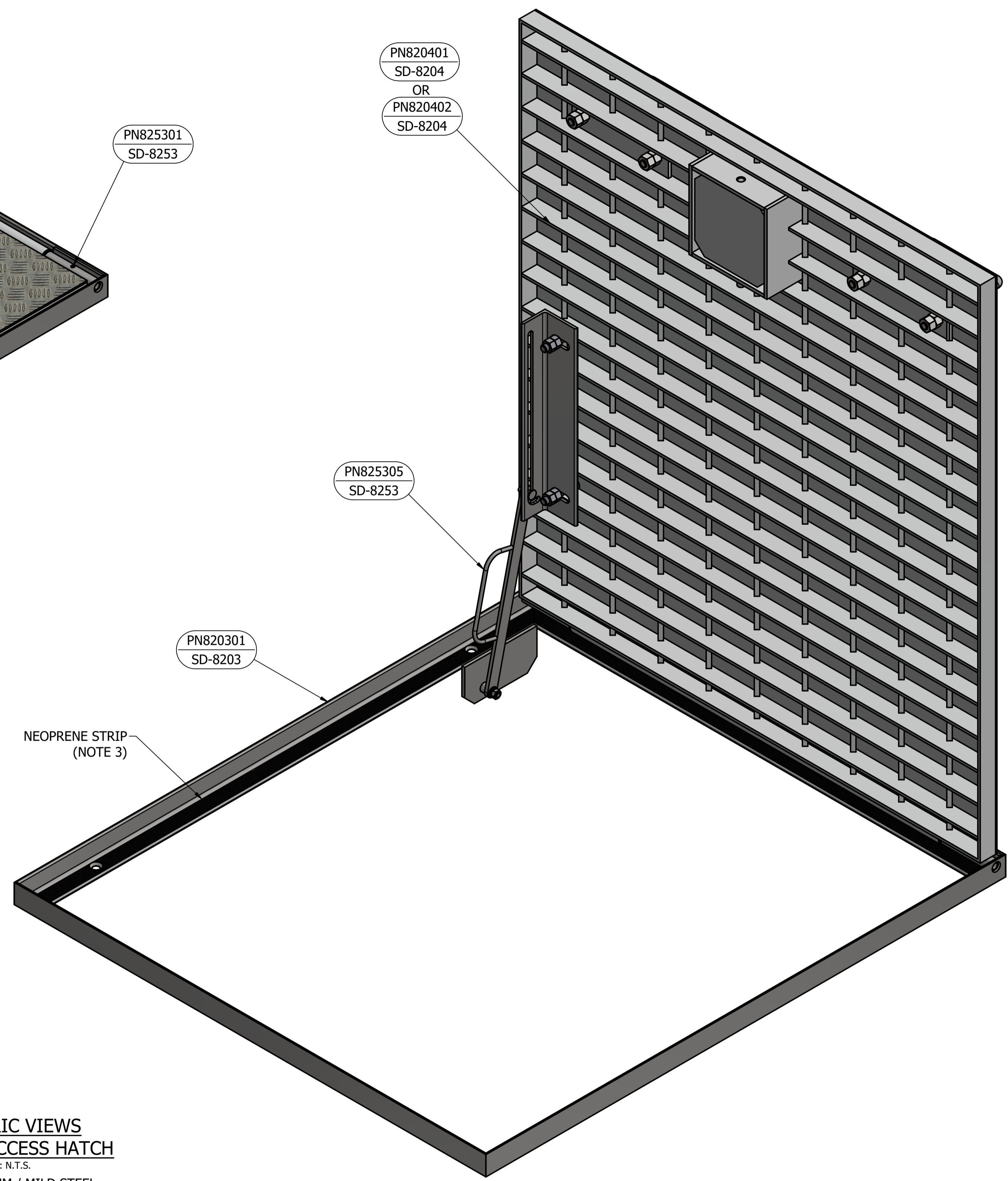
F

G

H



CLOSED POSITION



OPEN POSITION

PARTS LIST				
PART NUMBER	DESCRIPTION	QTY	MASS	REFERENCE
PN820301	HATCH FRAME	1	12 kg (14 kg)	SD-8203
PN820402	HATCH COVER (WEBGRATE STYLE)	1	19 kg (21 kg)	SD-8204
PN820401	HATCH COVER (STIFFENED PLATE STYLE)	1	19 kg (21 kg)	SD-8204
PN825501	LOCK BOX (SLIDE BOLT TYPE)	1	2 kg	SD-8255
PN825103	LIFTING HANDLE (FLUSH FIT TYPE)	2	1 kg	SD-8251
PN825301	HINGE	1	1 kg	SD-8253

MASS SHOWN IN BRACKETS ( ) IS FOR HATCH WITH 900 x 1300 OPENING

**NOTES:**

- FOR ALUMINIUM FABRICATION NOTES REFER TO DRAWING SD-9103.
- FLUSH FIT ACCESS COVERS ARE AVAILABLE IN TWO STANDARD SIZES TO SUIT ICON WATER'S PORTABLE LIMITED FREE FALL ARREST AND EDGE PROTECTION EQUIPMENT. THESE ARE 900 x 900 C/O AND 900 x 1300 C/O.
- PROVIDE NEOPRENE STRIP BETWEEN HATCH FRAME AND COVER TO ISOLATE DISSIMILAR METALS.
- INSTALLERS TO PROVIDE Ø16 HOLE INTO FRAME SUPPORT STRUCTURE FOR LOCKING PIN.

**ISOMETRIC VIEWS  
FLUSH FIT ACCESS HATCH**  
SCALE: N.T.S.

MATERIAL: ALUMINIUM / MILD STEEL  
COATING: GALVANISED (MILD STEEL PARTS ONLY)  
FINISH COLOUR: N/A  
MASS: 36 kg (40 kg) INCL. FRAME

ITEM	AMDT.
PN820101	

A	INITIAL ISSUE	15/06/2018	M. Matusiak	K. Danenbergson	D. Eager
No.	ISSUE	DATE	DRAWN	CHECKED	AUTHORISED

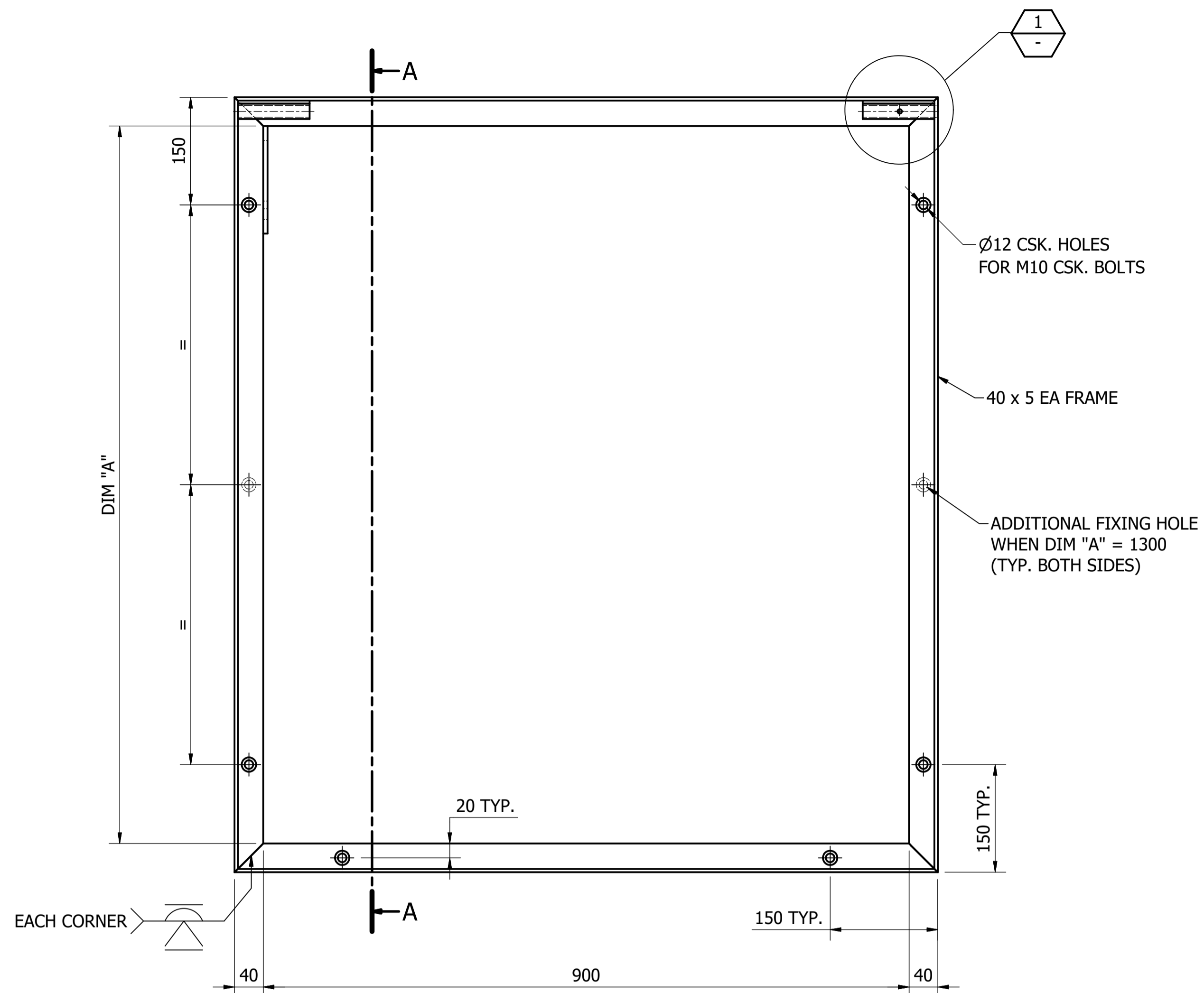
DAM	RES	SPS	
BWS	WAT	STP	
WTP	SEW		
WPS	REC		
ASSET AREA APPLICABILITY			



STANDARD DRAWING  
FLUSH FIT ACCESS COVERS  
ALUMINIUM, HINGED  
GENERAL ARRANGEMENT

DRAWING STATUS		Current
SD-8201-D		ISSUE A
A1	© Icon Water 2017	

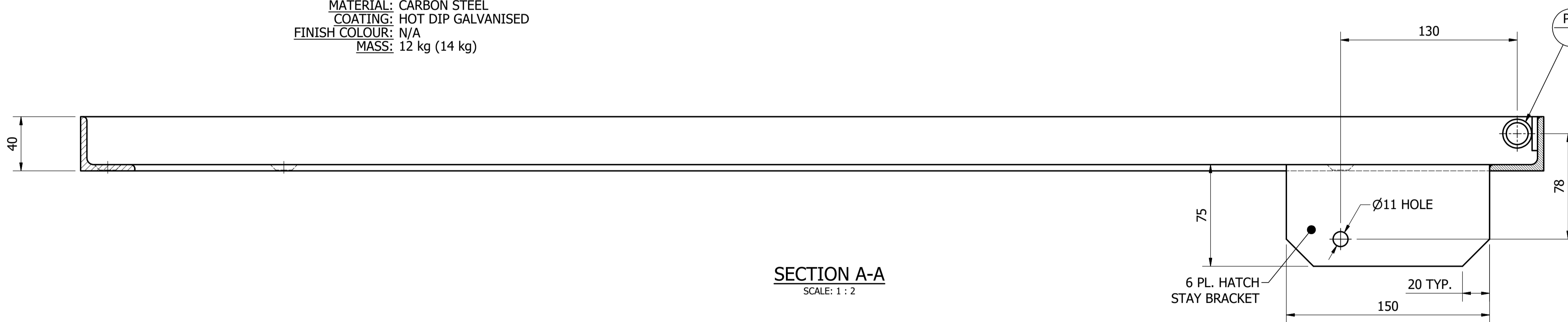
1 2 3 4 5 6 7 8 9 10 11 12



**PLAN  
COVER FRAME**

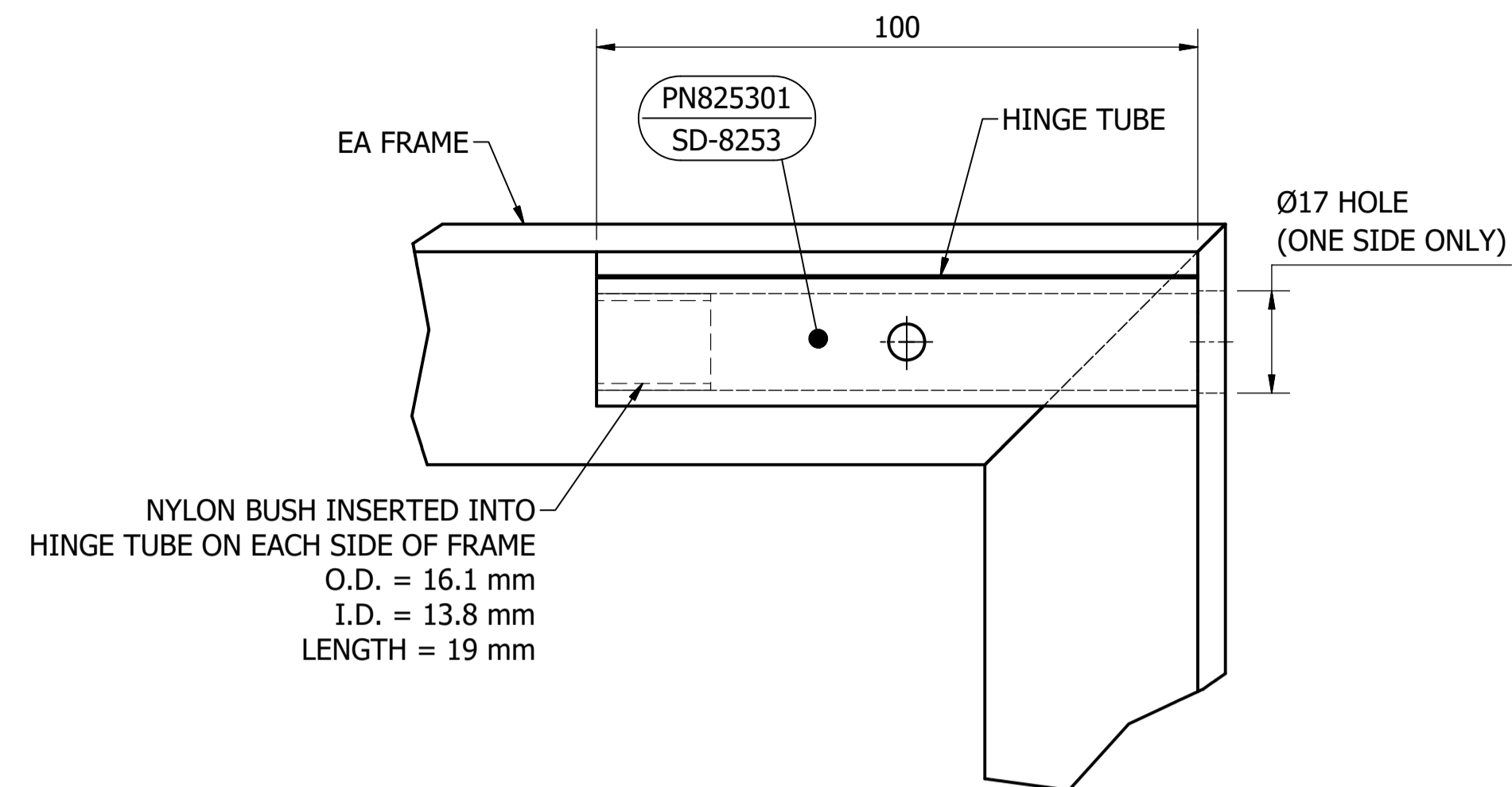
SCALE: 1 : 5

MATERIAL: CARBON STEEL  
 COATING: HOT DIP GALVANISED  
 FINISH COLOUR: N/A  
 MASS: 12 kg (14 kg)



**SECTION A-A**

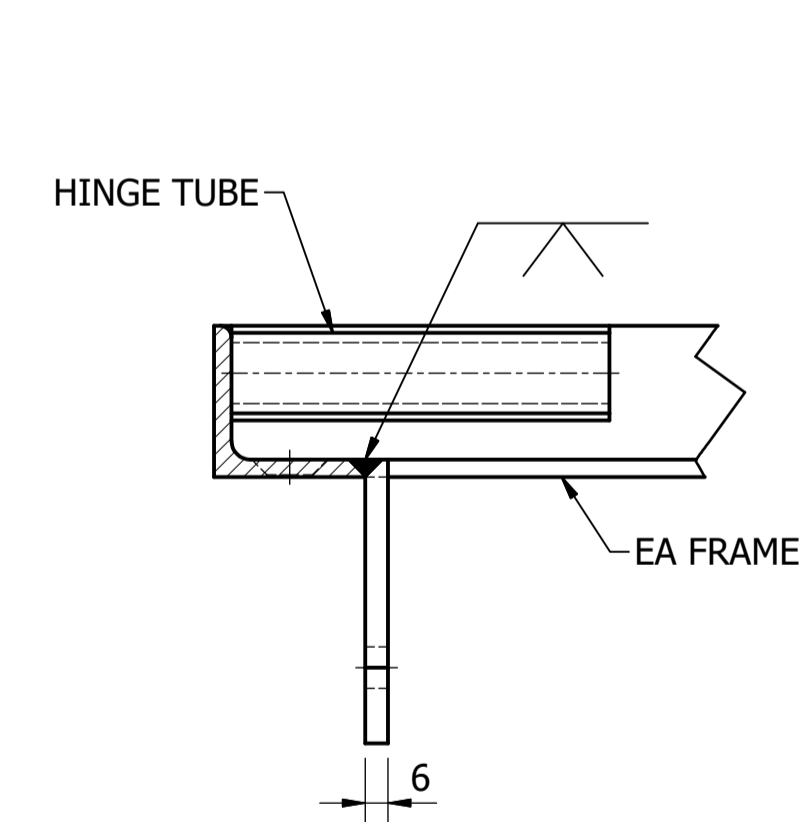
SCALE: 1 : 2



**DETAIL 1**

SCALE: 1 : 1

DIMENSION VARIABLES		
DIMENSION	VERTICAL RUNG LADDER	INCLINED RUNG LADDER
A	1000	1300



**END VIEW  
HATCH STAY BRACKET**

SCALE: 1 : 2

**NOTES:**

- FOR STEELWORK NOTES REFER TO DRAWING SD-9100.
- MASS SHOWN IN BRACKETS ( ) REFERS TO THE LARGER INCLINED RUNG LADDER HATCH.

ITEM	AMDT.
PN820301	

No.	ISSUE	DATE	DRAWN	CHECKED	AUTHORISED
A	INITIAL ISSUE	15/06/2018	M. Matusiak	K. Danenbergs	D. Eager

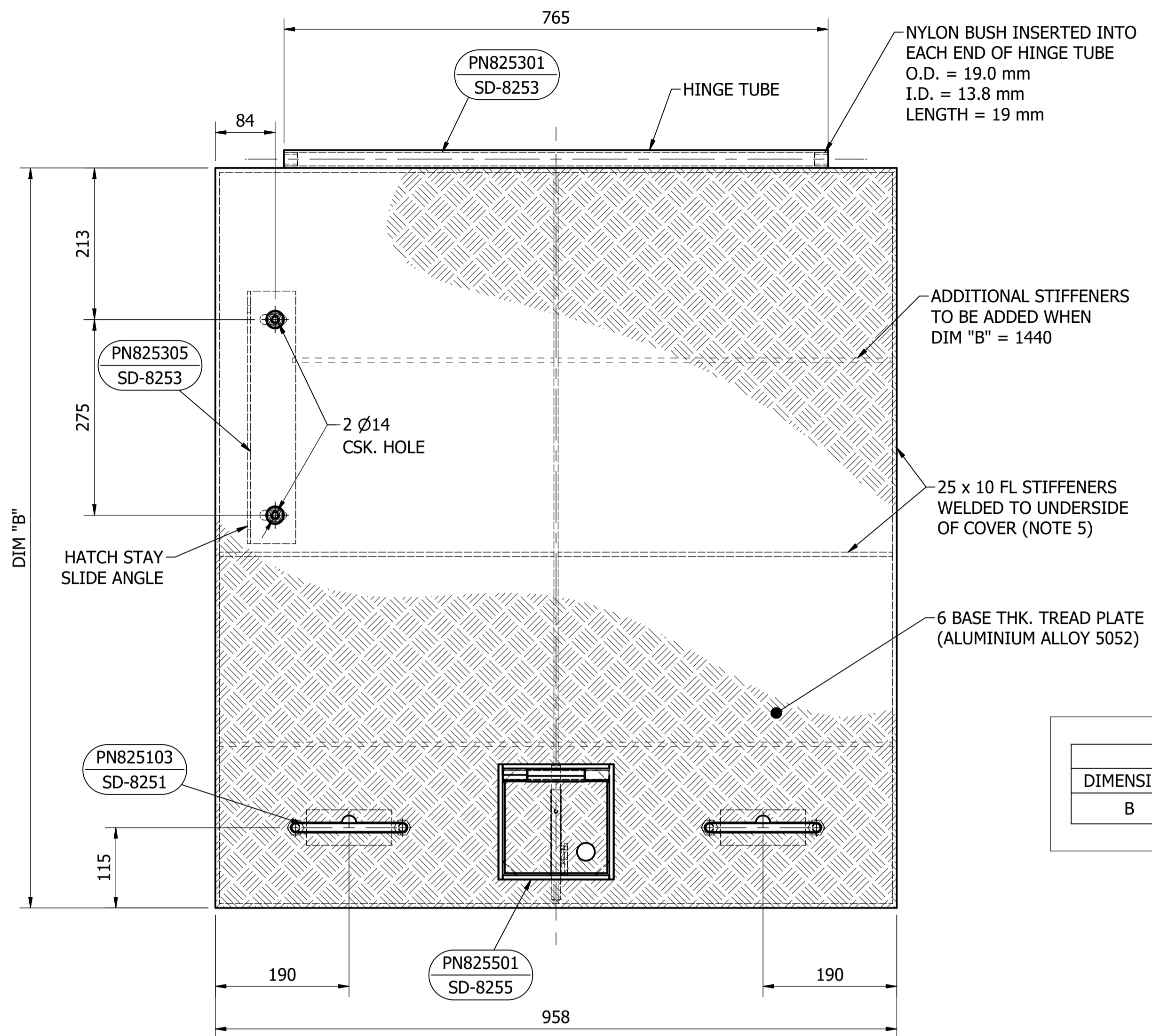
ASSET AREA APPLICABILITY				
DAM	RES	SPS		
BWS	WAT	STP		
WTP	SEW			
WPS	REC			



STANDARD DRAWING  
 FLUSH FIT ACCESS COVERS  
 ALUMINIUM, HINGED  
 BOLT-IN FRAME DETAILS

DRAWING STATUS	
Current	
SD-8203-D	
A1	ISSUE A

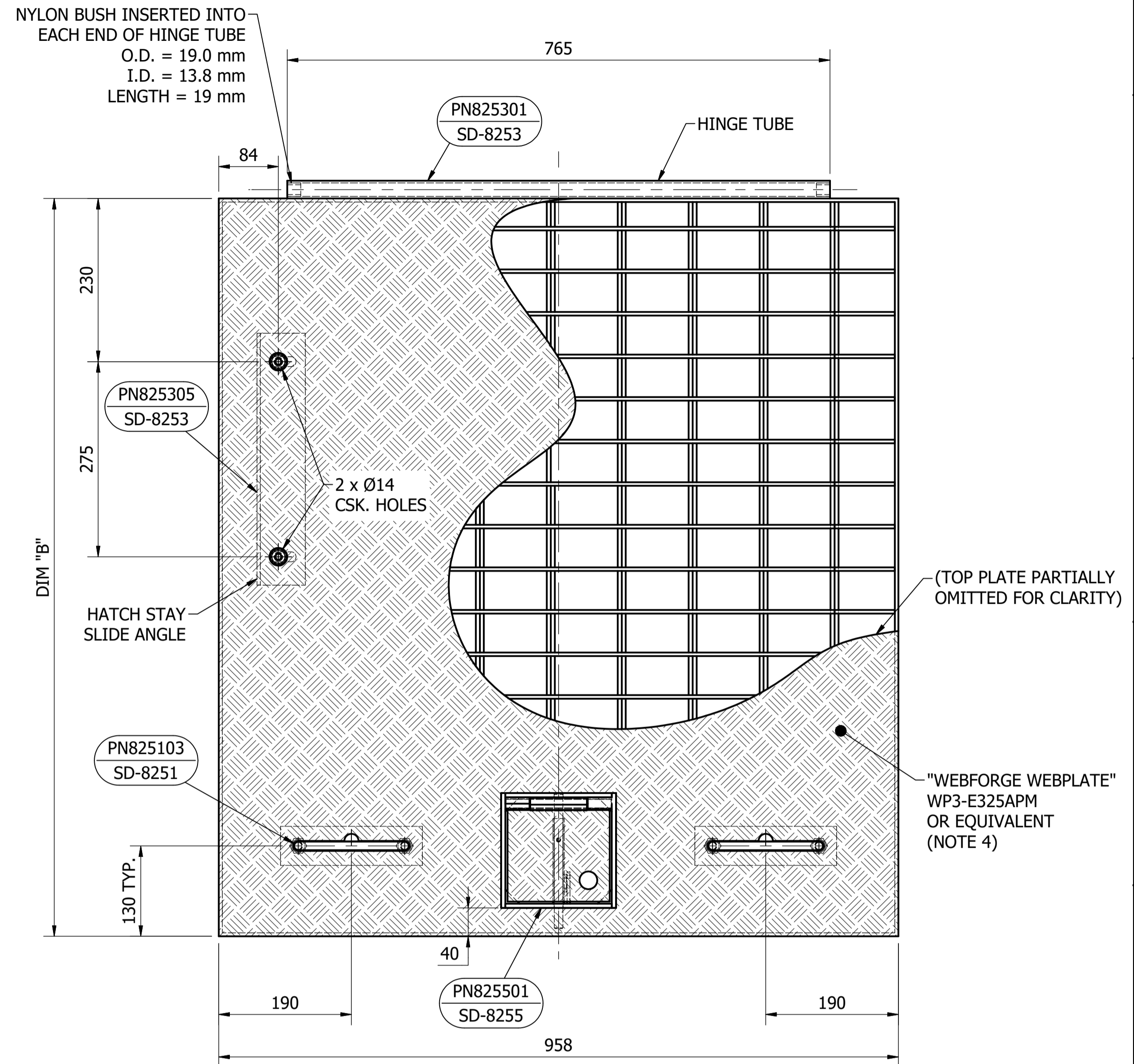
© Icon Water 2017



**PLAN  
ACCESS COVER  
STIFFENED PLATE STYLE**  
SCALE: 1 : 5

MATERIAL: ALUMINIUM  
COATING: N/A  
FINISH COLOUR: N/A  
MASS: 19 kg (21 kg)

DIMENSION VARIABLES		
DIMENSION	VERTICAL RUNG LADDER	INCLINED RUNG LADDER
B	1040	1440



**PLAN  
ACCESS COVER  
WEBPLATE STYLE**  
SCALE: 1 : 5

MATERIAL: ALUMINIUM  
COATING: N/A  
FINISH COLOUR: N/A  
MASS: 19 kg (21 kg)

ITEM	AMDT.
PN820402	

- NOTES:**
- FOR ALUMINIUM FABRICATION NOTES REFER TO DRAWING SD-9103.
  - ALL STAINLESS STEEL FIXTURES INTO ALUMINIUM TO BE SEPARATED WITH INSULATING BUSHES AND RETAINING RINGS OR WASHERS.
  - MASS SHOWN IN BRACKETS ( ) REFERS TO THE LARGER INCLINED RUNG LADDER HATCH.
  - CARE TO BE TAKEN TO ALIGN WEBPLATE LOAD BARS AND CROSS RODS AS TO NOT INTERFERE WITH LIFTING HANDLES AND HATCH STAY.
  - INSTALL NEOPRENE STRIP AS ISOLATION BETWEEN STIFFENER BARS AND ALUMINIUM PLATE.

ITEM	AMDT.
PN820401	

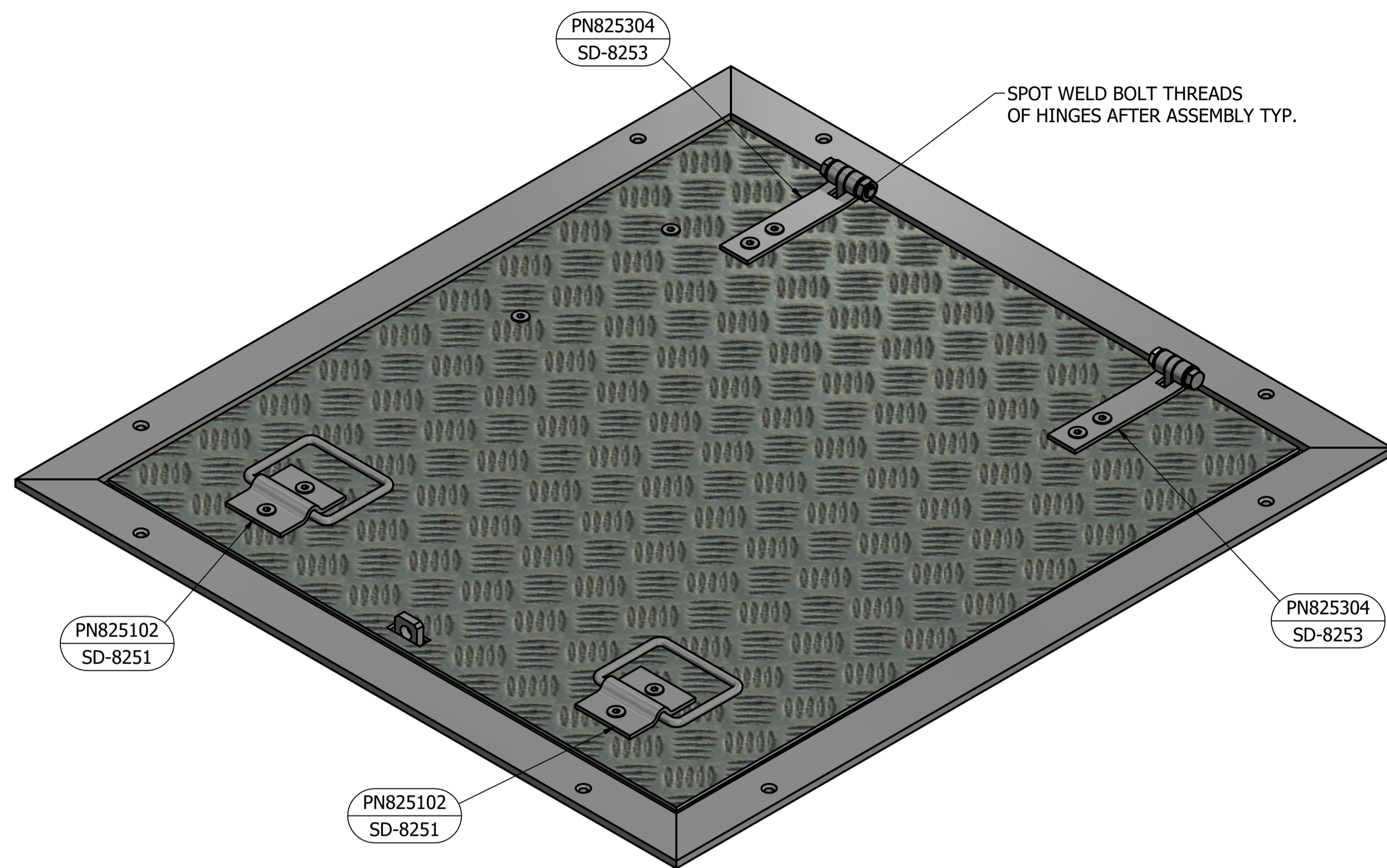
No.	ISSUE	DATE	DRAWN	CHECKED	AUTHORISED
A	INITIAL ISSUE	15/06/2018	M. Matusiak	K. Danenbergson	D. Eager

ASSET AREA APPLICABILITY				
DAM	RES	SPS	WAT	STP
BWS	WAT	STP	WTP	SEW
WPS	REC			

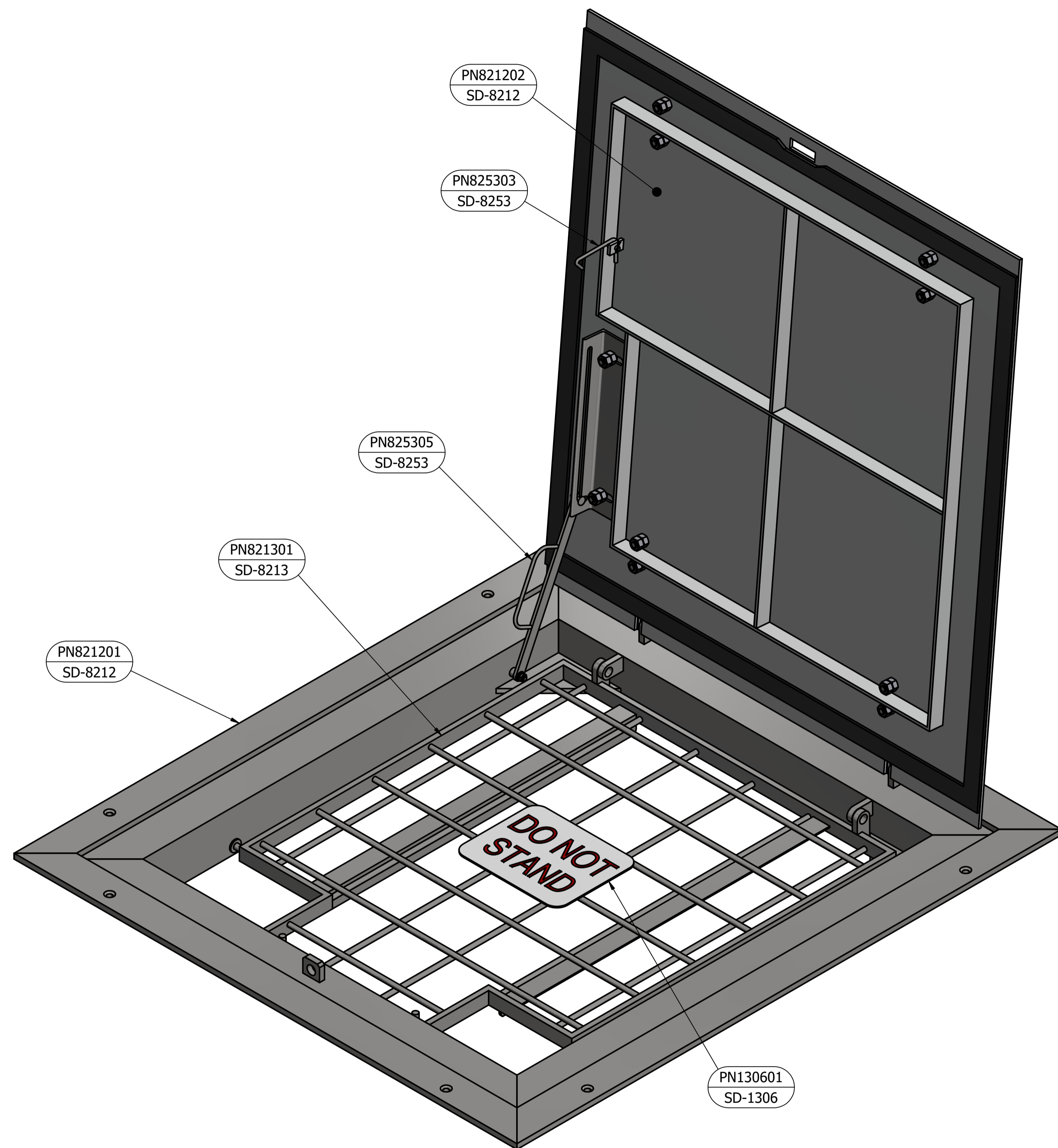


STANDARD DRAWING  
FLUSH FIT ACCESS COVERS  
ALUMINIUM, HINGED  
COVER DETAILS

DRAWING STATUS	
Current	
SD-8204-D	
A1	ISSUE A



CLOSED POSITION



OPEN POSITION

PARTS LIST				
PART NUMBER	DESCRIPTION	QTY	MASS	REFERENCE
PN821201	HATCH FRAME	1	95 kg (110 kg)	SD-8212
PN821202	HATCH COVER	1	25 kg (30 kg)	SD-8212
PN821301	SAFETY GRATE	1	20 kg (30 kg)	SD-8213
PN825304	HINGE	2	1 kg	SD-8253
PN825102	LIFTING HANDLE	2	1 kg	SD-8251
PN825305	HATCH STAY	1	2 kg	SD-8253
PN825303	HATCH CATCH PIN	1	0.1 kg	SD-8253
PN130601	"DO NOT STAND" SIGN	1	2 kg	SD-1306

MASS SHOWN IN BRACKETS ( ) IS FOR HATCH WITH 900 x 1300 OPENING

**NOTES:**

- FOR ALUMINIUM FABRICATION NOTES REFER TO DRAWING SD-9103.
- GAS-TIGHT ACCESS COVERS ARE AVAILABLE IN TWO STANDARD SIZES TO SUIT ICON WATER'S PORTABLE LIMITED FREE FALL ARREST AND EDGE PROTECTION EQUIPMENT. THESE ARE 900 x 1000 C/O AND 900 x 1300 C/O.

**ISOMETRIC VIEWS  
GAS-TIGHT ACCESS HATCH**

SCALE: N.T.S.

MATERIAL: STAINLESS STEEL / ALUMINIUM  
COATING: N/A  
FINISH COLOUR: N/A  
MASS: APPROX. 125 kg (145 kg) (INCL. FRAME)

ITEM	AMDT.
PN821101	

No.	ISSUE	DATE	DRAWN	CHECKED	AUTHORISED
A	INITIAL ISSUE	15/06/2018	M. Matuziak	K. Danenbergson	D. Eager

ICON WATER ACKNOWLEDGES SYDNEY WATER CORPORATION IN THE DEVELOPMENT OF THIS DRAWING

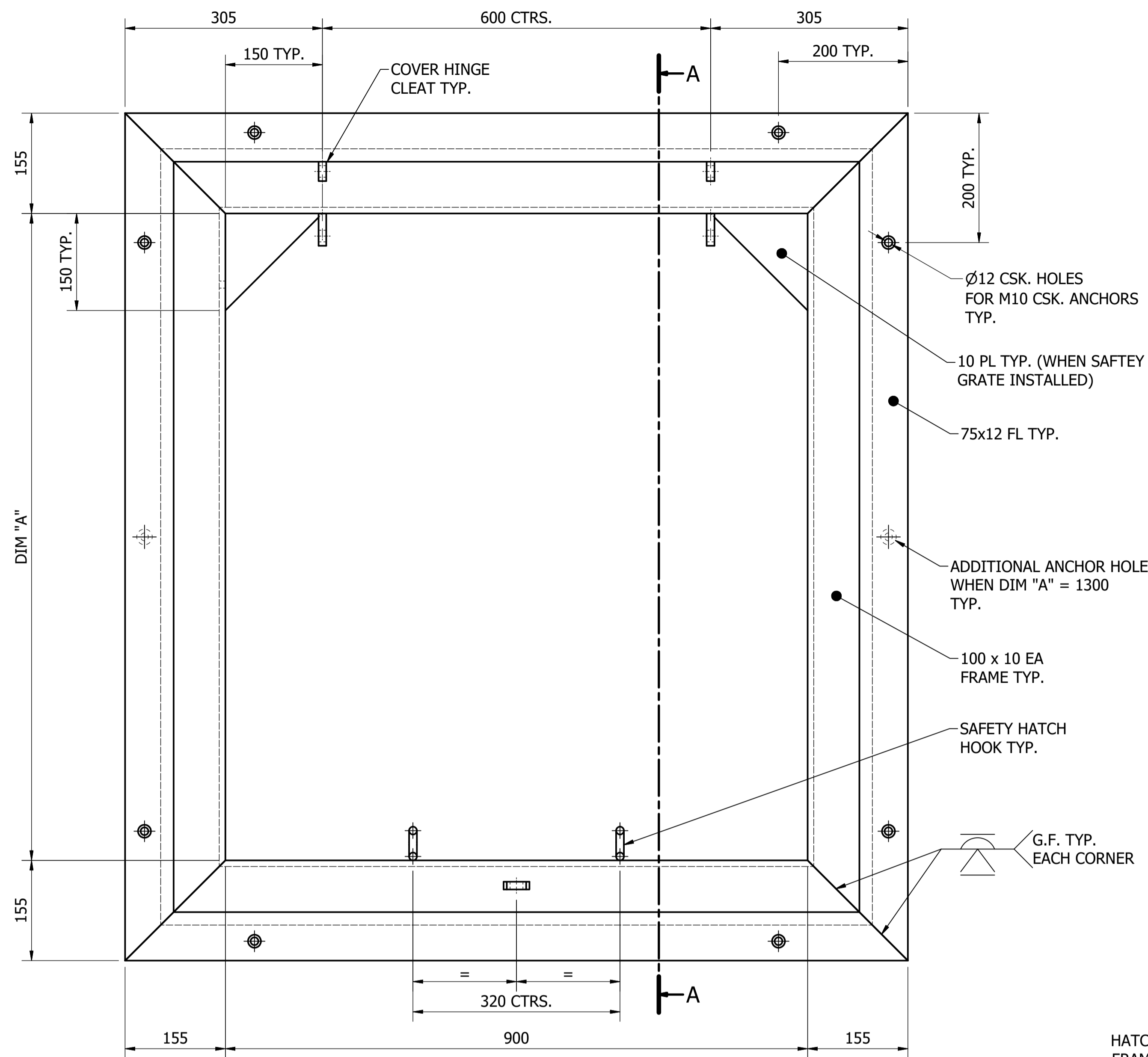
DAM	RES	SPS	WTP	WPS
		X		
			X	



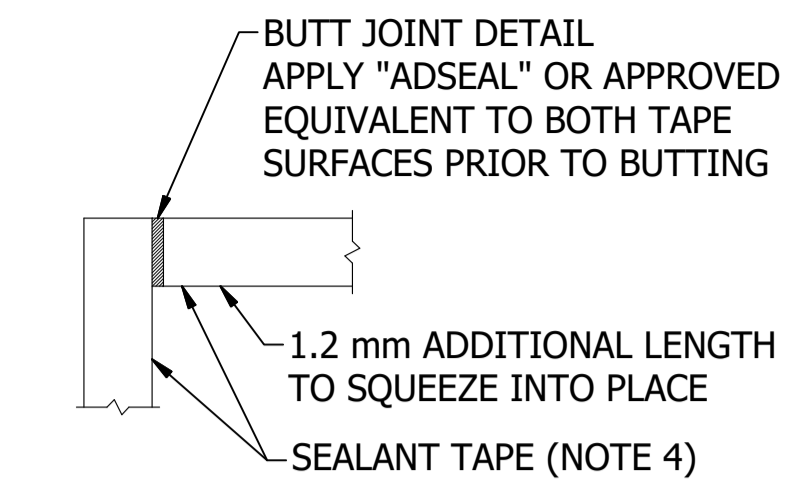
STANDARD DRAWING  
GAS-TIGHT ACCESS COVERS  
ALUMINIUM, HINGED  
GENERAL ARRANGEMENT

DRAWING STATUS	
Current	
<b>SD-8211-D</b>	
A1	ISSUE A

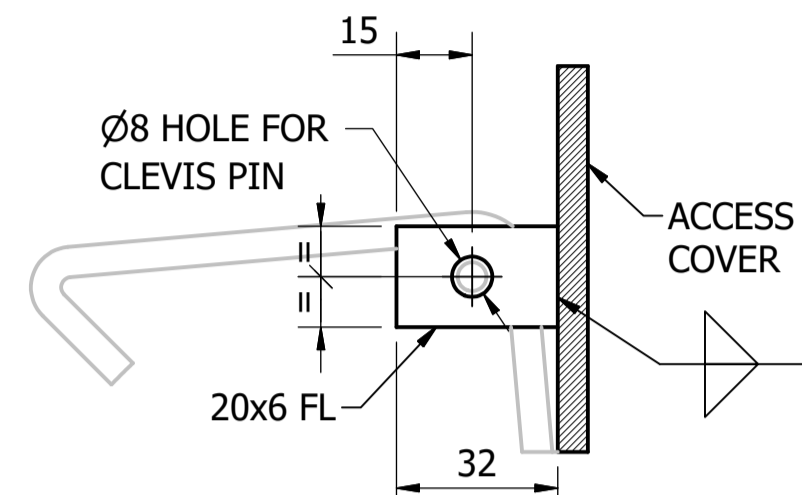
© Icon Water 2017



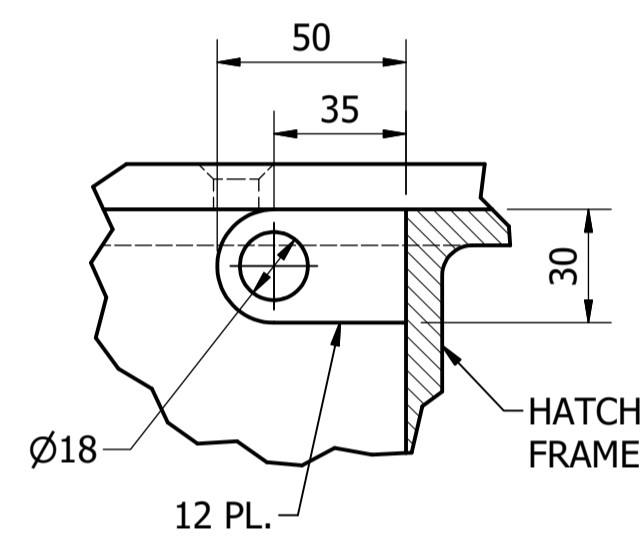
**PLAN COVER FRAME**  
SCALE: 1 : 5  
MATERIAL: STAINLESS STEEL  
COATING: N/A  
FINISH COLOUR: N/A  
MASS: 95 kg (110 kg)



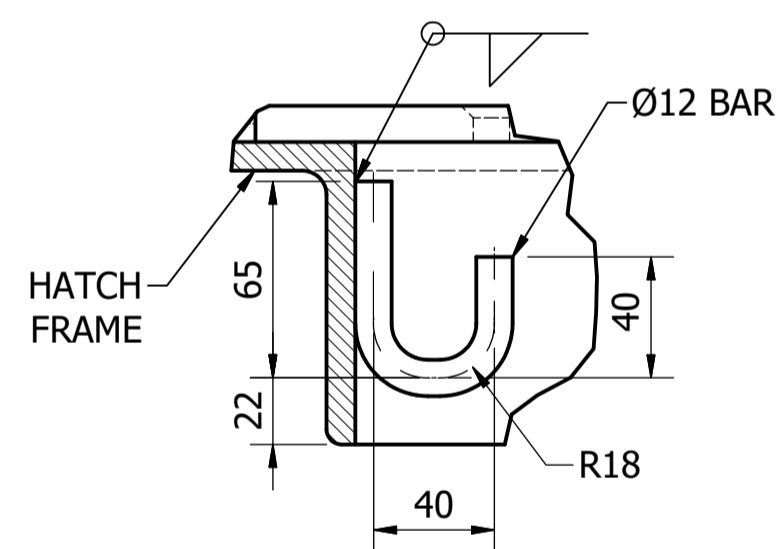
**TYPICAL SEALING TAPE CORNER DETAIL**  
SCALE: N.T.S.



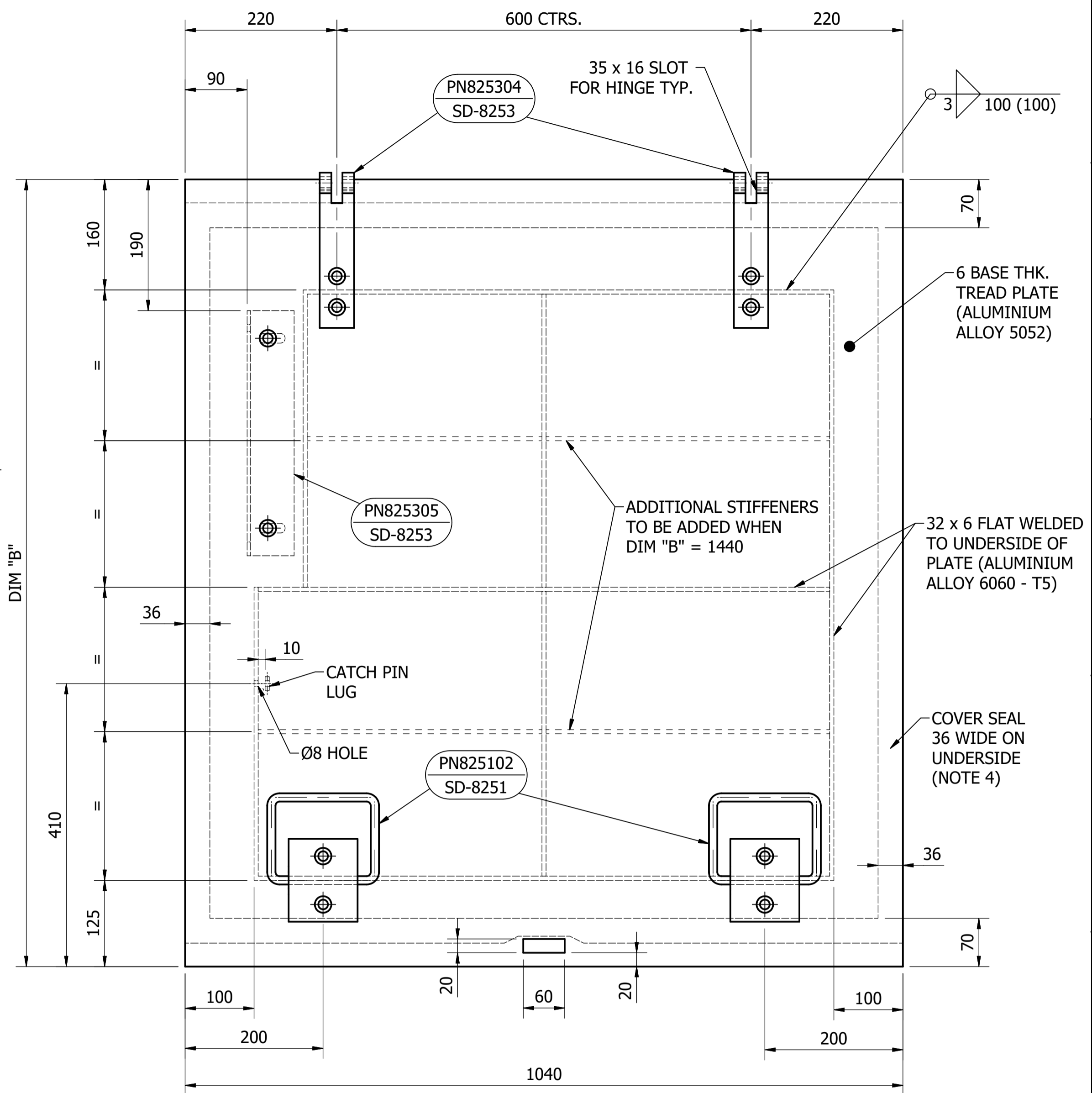
**CATCH PIN LUG**  
SCALE: N.T.S.



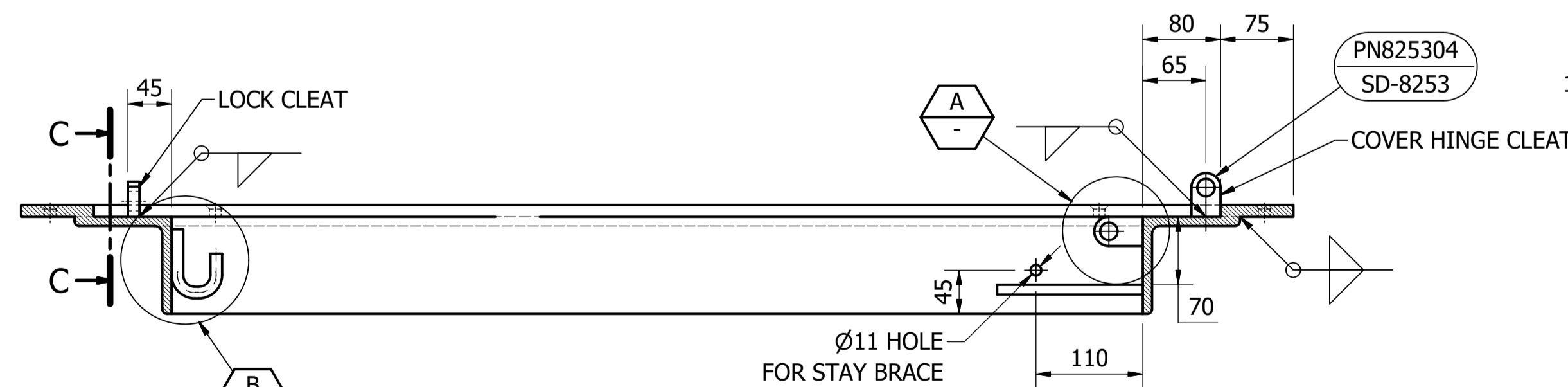
**DETAIL A SAFETY HATCH HINGE**  
SCALE: 1 : 2



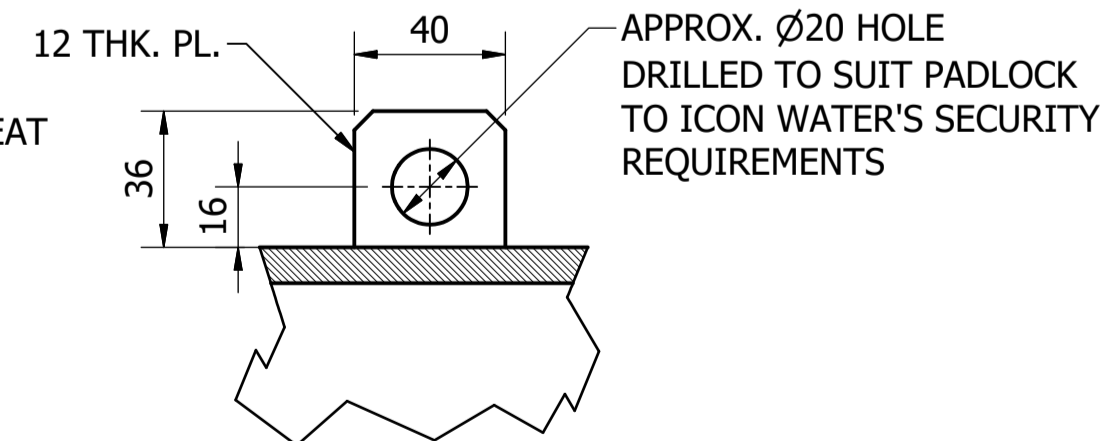
**DETAIL B SAFETY HATCH HOOK**  
SCALE: 0.40 : 1



**PLAN ACCESS COVER**  
SCALE: 1 : 5  
MATERIAL: ALUMINIUM  
COATING: N/A  
FINISH COLOUR: N/A  
MASS: 30 kg (35 kg)



**SECTION A-A**  
SCALE: 1 : 5



**SECTION C-C LOCK CLEAT**  
SCALE: 1 : 2

**NOTES:**

- FOR ALUMINIUM FABRICATION NOTES REFER TO DRAWING SD-9103.
- TREAD TEXTURE TO BE GROUND FLAT UNDER HINGES AND HANDLES. STAINLESS STEEL AND ALUMINIUM TO BE INSULATED WITH "DENSO" PRIMER D AND DENSOPOL 60 TAPE OR APPROVED EQUIVALENT.
- ALL STAINLESS STEEL FIXTURES INTO ALUMINIUM TO BE SEPARATED WITH INSULATING BUSHES AND RETAINING RINGS OR WASHERS.
- WIPE HATCH COVER WITH A CLEAN, LINT-FREE, DRY CLOTH TO ENSURE ABSENCE OF GREASE, DIRT OR MOISTURE PRIOR TO APPLICATION OF TAPE. REFER TO DRAWING SD-8214 WHICH DETAILS TAPE TYPE AND ADDITIONAL INSTALLATION REQUIREMENTS.
- MASS SHOWN IN BRACKETS ( ) REFERS TO THE LARGER INCLINED RUNG LADDER HATCH.
- REFER TO DRAWING SD-8214-C FOR HATCH CONNECTION TO CONCRETE DETAILS.

DIMENSION VARIABLES		
DIMENSION	VERTICAL RUNG LADDER	INCLINED RUNG LADDER
A	1000	1300
B	1140	1440

ITEM	AMDT.
PN821201	

No.	ISSUE	DATE	DRAWN	CHECKED	AUTHORISED
A	INITIAL ISSUE	15/06/2018	M. Matusiak	K. Danenbergson	D. Eager

ICON WATER ACKNOWLEDGES SYDNEY WATER CORPORATION IN THE DEVELOPMENT OF THIS DRAWING

DAM	RES	SPS
BWS	WAT	STP
WTP	SEW	
WPS	REC	



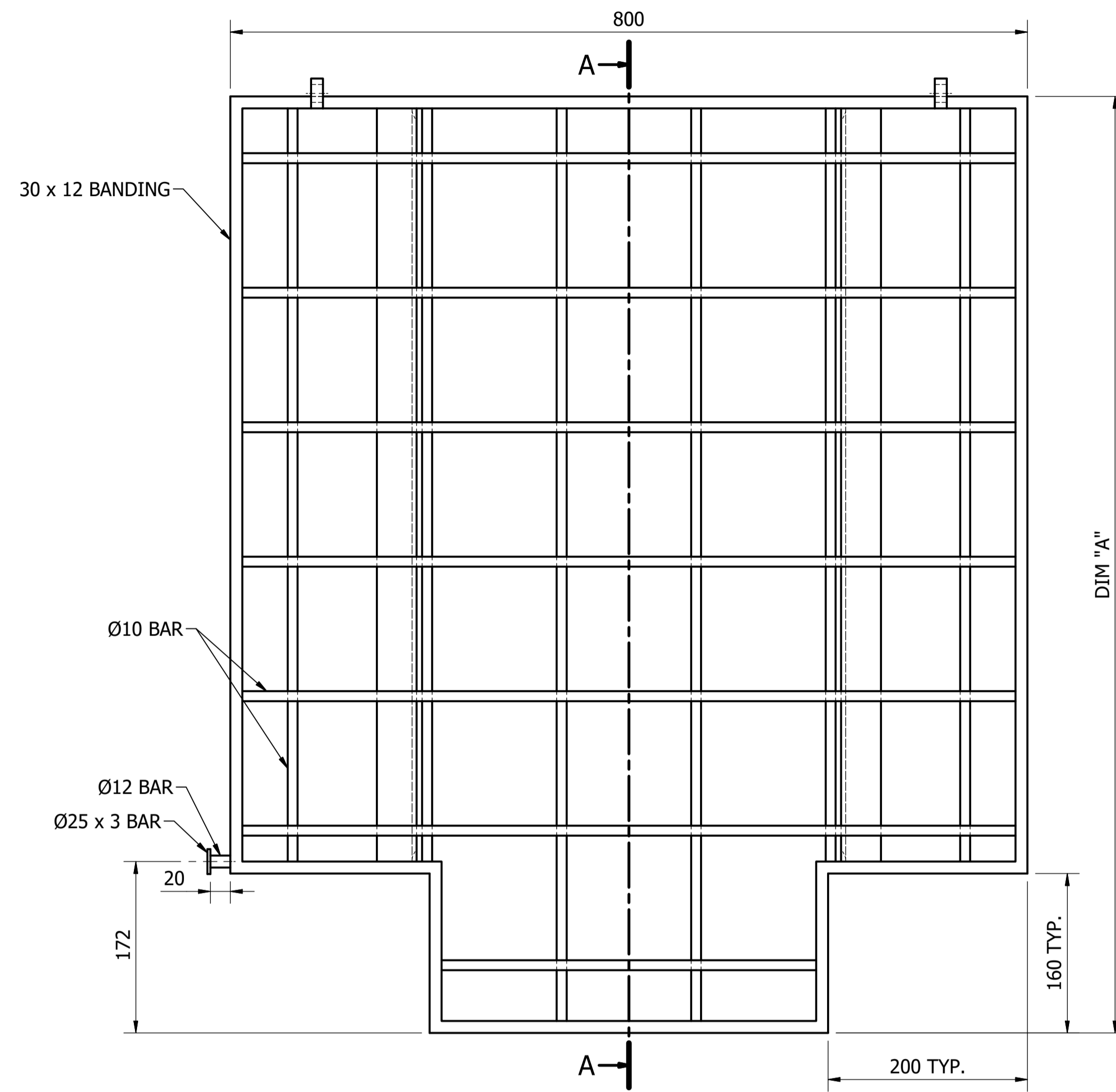
STANDARD DRAWING  
GAS-TIGHT ACCESS COVERS ALUMINIUM, HINGED  
ASSEMBLY AND DETAILS

DRAWING STATUS	
Current	
SD-8212-D	
A1	ISSUE A

© Icon Water 2017

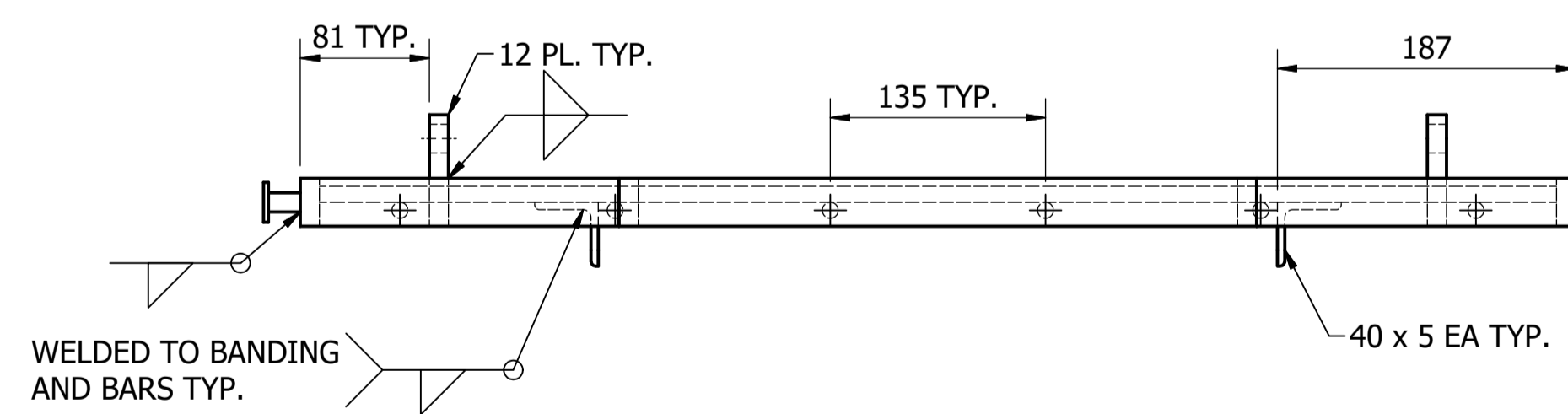
**NOTES:**

1. FOR ALUMINIUM FABRICATION NOTES REFER TO DRAWING SD-9103.

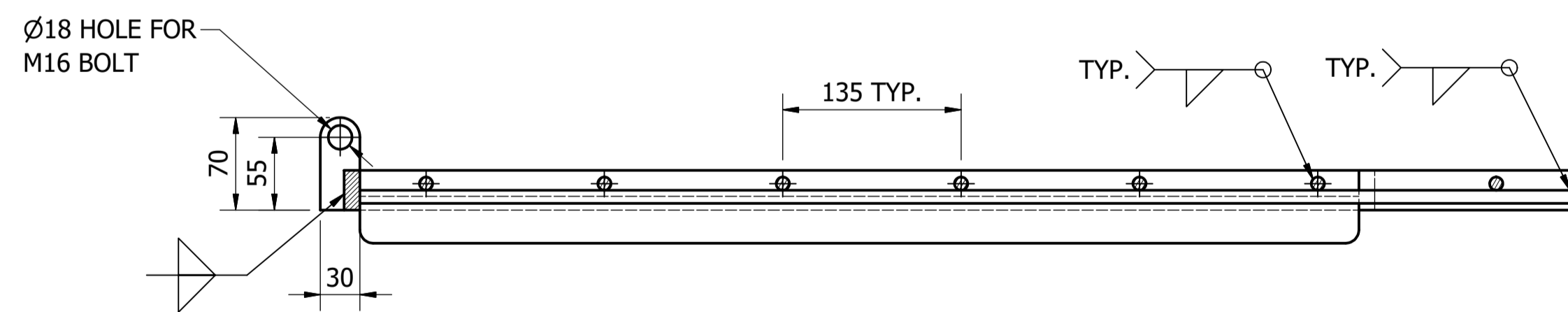


PLAN VIEW

DIMENSION VARIABLES		
DIMENSION	VERTICAL RUNG LADDER	INCLINED RUNG LADDER
A	940	1240



FRONT VIEW



SECTION A-A

**SAFETY GRATE**  
SCALE: 1 : 4

ITEM	AMDT.
PN821301	

No.	ISSUE	DATE	DRAWN	CHECKED	AUTHORISED
A	INITIAL ISSUE	15/06/2018	S. Essery	K. Danenbergsons	D. Eager
B	DRAWING NOW - D	19/06/2019	S. Essery	K. Danenbergsons	C. Patrick

ICON WATER ACKNOWLEDGES SYDNEY WATER CORPORATION IN THE DEVELOPMENT OF THIS DRAWING

DAM	RES	SPS
BWS	WAT	STP
WTP	SEW	
WPS	REC	



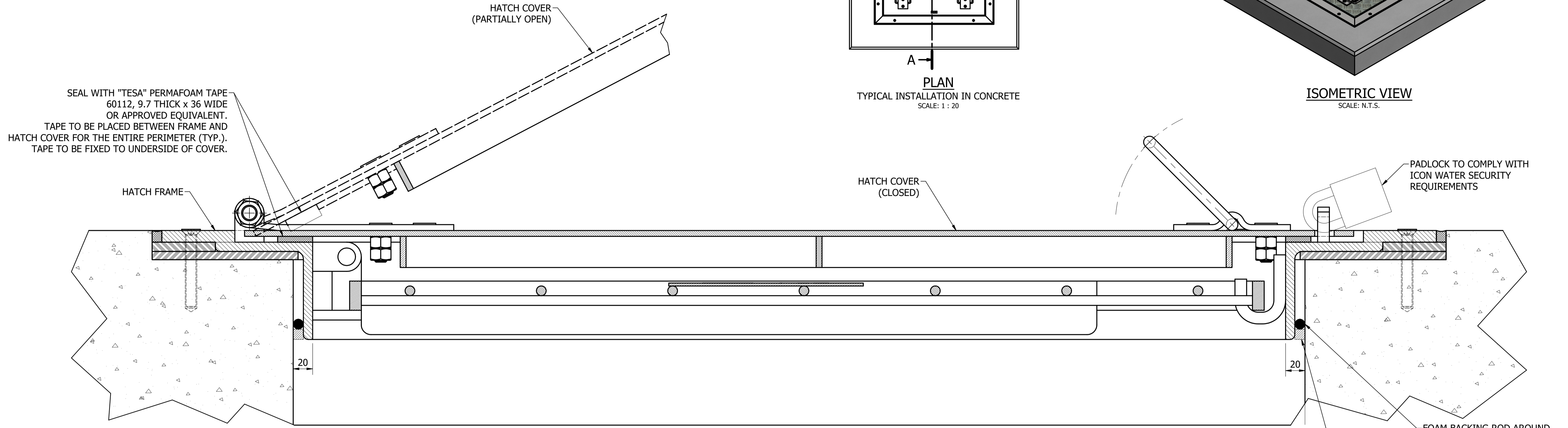
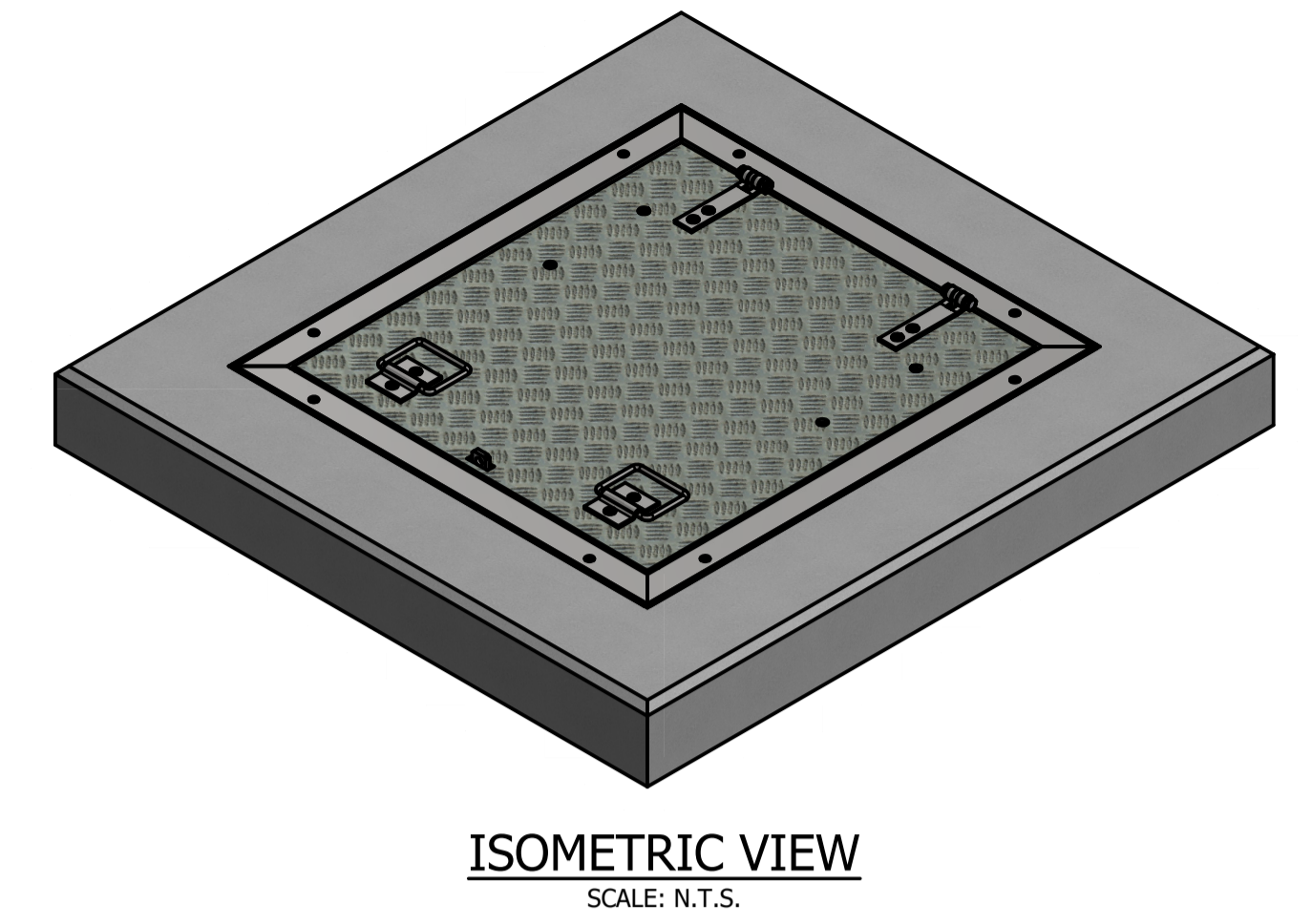
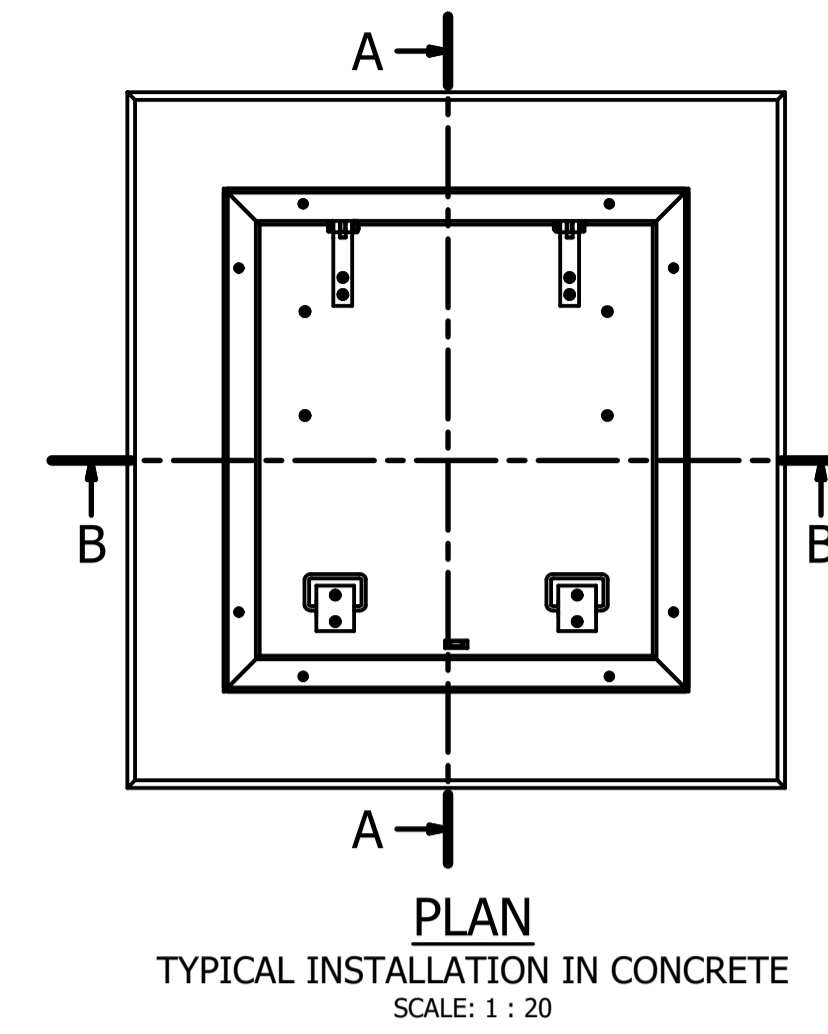
STANDARD DRAWING  
GAS-TIGHT ACCESS COVERS ALUMINIUM, HINGED  
GRATE INSERT DETAILS

DRAWING STATUS	
Current	
SD-8213-D	
A1	ISSUE B

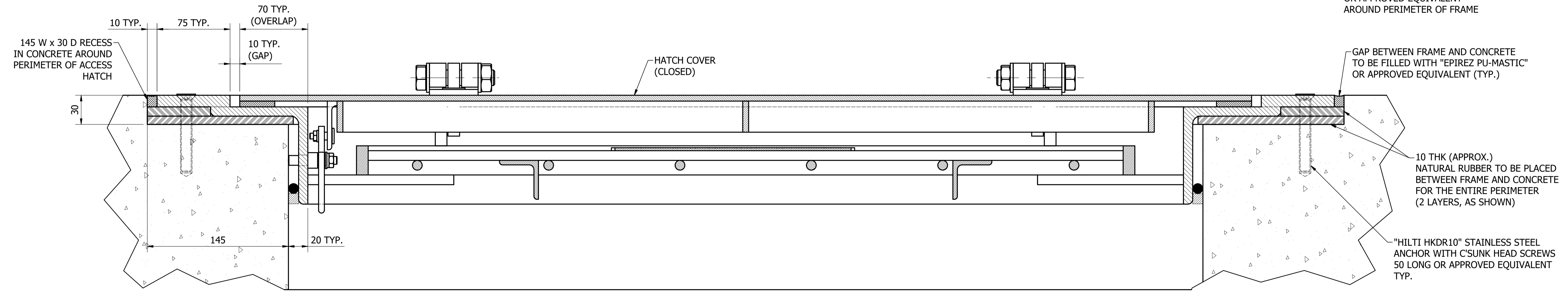
© Icon Water 2017

**NOTES:**

1. FOR ALUMINIUM FABRICATION NOTES REFER TO DRAWING SD-9103.



**SECTION A-A**  
SCALE: 1 : 2



**SECTION B-B**  
SCALE: 1 : 2

No.	ISSUE	DATE	DRAWN	CHECKED	AUTHORISED
A	INITIAL ISSUE	15/06/2018	M. Matusiak	K. Danenbergsons	D. Eager
B	DRAWING NOW - D	19/06/2019	S. Essery	K. Danenbergsons	C. Patrick

ICON WATER ACKNOWLEDGES SYDNEY WATER CORPORATION IN THE DEVELOPMENT OF THIS DRAWING

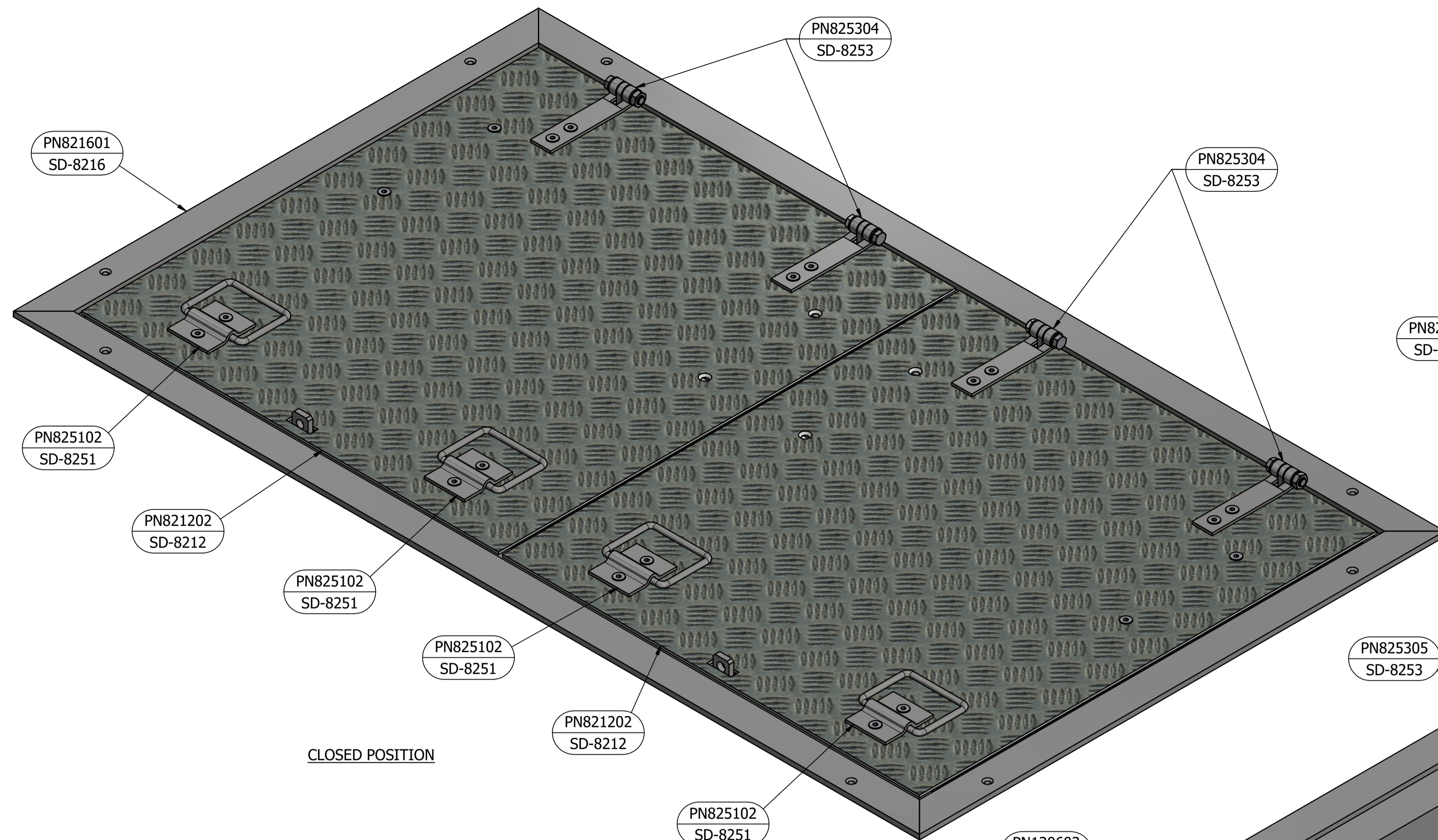
ASSET AREA APPLICABILITY			
DAM	RES	SPS	X
BWS	WAT	STP	X
WTP	SEW		X
WPS	REC		



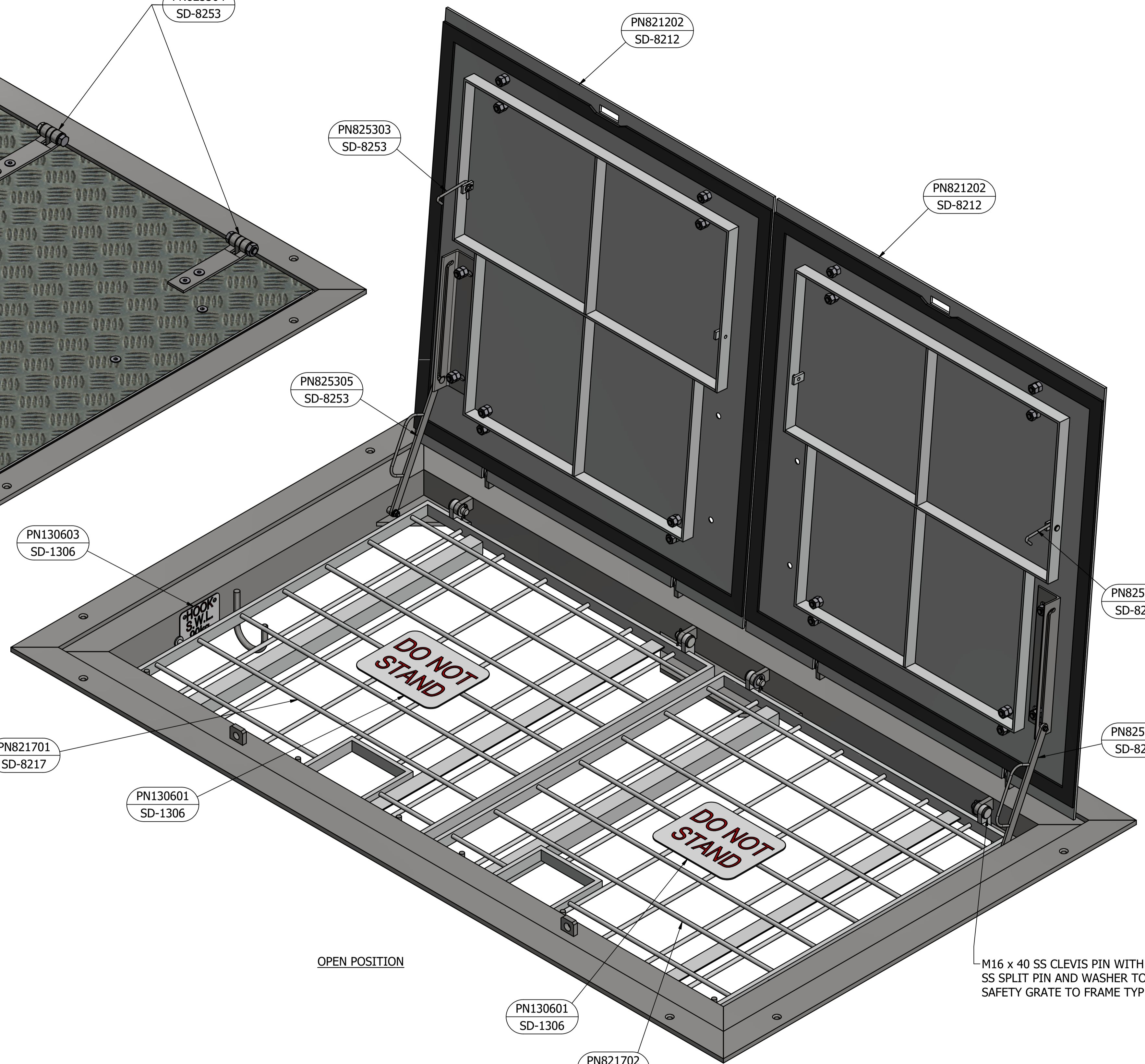
**STANDARD DRAWING**  
**GAS-TIGHT ACCESS COVERS ALUMINIUM, HINGED**  
**TYPICAL INSTALLATION**

DRAWING STATUS	
Current	
<b>SD-8214-D</b>	
A1	ISSUE B

© Icon Water 2017



CLOSED POSITION



OPEN POSITION

M16 x 40 SS CLEVIS PIN WITH SS SPLIT PIN AND WASHER TO FIX SAFETY GRATE TO FRAME TYP.

PARTS LIST				
PART NUMBER	DESCRIPTION	QTY	MASS	REFERENCE
PN821601	HATCH FRAME	1	150 kg	SD-8216
PN821202	MAIN HATCH COVER	2	25 kg	SD-8212
PN825303	SAFETY GRATE CATCH PIN	2	0.25 kg	SD-8253
PN821701	SAFETY GRATE (LEFT HAND SIDE)	1	10 kg	SD-8217
PN821702	SAFETY GRATE (RIGHT HAND SIDE)	1	10 kg	SD-8217
PN825304	HINGE	4	1 kg	SD-8253
PN825102	LIFTING HANDLE	4	1 kg	SD-8251
PN825305	HATCH STAY	2	2 kg	SD-8253
PN130601	SAFETY SIGN (DO NOT STAND)	2	1.5 kg	SD-1306
PN130603	SAFETY SIGN (HOOK SWL) SMALL	1 PER HOOK	0.2 kg	SD-1306

**NOTES:**

1. THIS HATCH DESIGN IS ONLY APPLICABLE TO SEWAGE PUMPING STATION WET WELL ACCESS. REFER "SD-4100" SERIES OF DRAWINGS FOR ADDITIONAL DETAILS.
2. FOR ALUMINIUM FABRICATION NOTES REFER TO DRAWING SD-9103.
3. FOR STEEL FABRICATION NOTES REFER TO DRAWING SD-9100

ITEM	AMDT.
PN821501	

No.	ISSUE	DATE	DRAWN	CHECKED	AUTHORISED
A	INITIAL ISSUE	8/06/2018	M. Matusiak	K. Danenbergson	C. Patrick

ICON WATER ACKNOWLEDGES SYDNEY WATER CORPORATION IN THE DEVELOPMENT OF PARTS OF THIS DRAWING

DAM	RES	SPS	<input checked="" type="checkbox"/>
BWS	WAT	STP	
WTP	SEW		
WPS	REC		

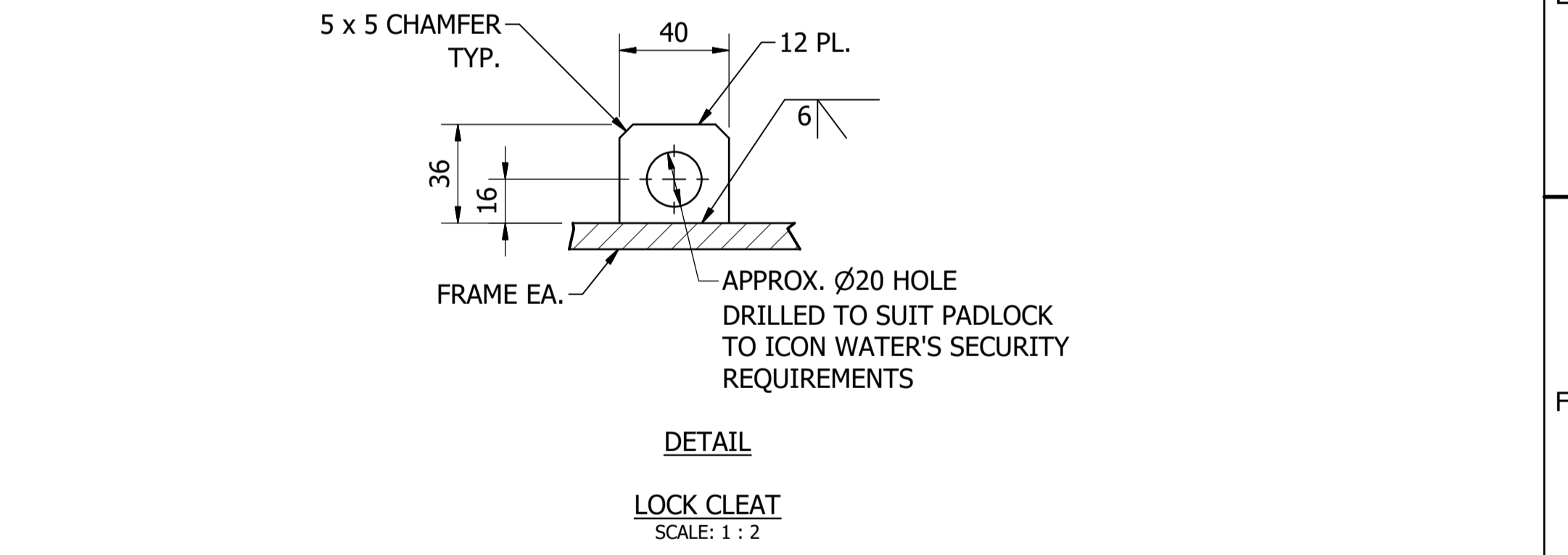
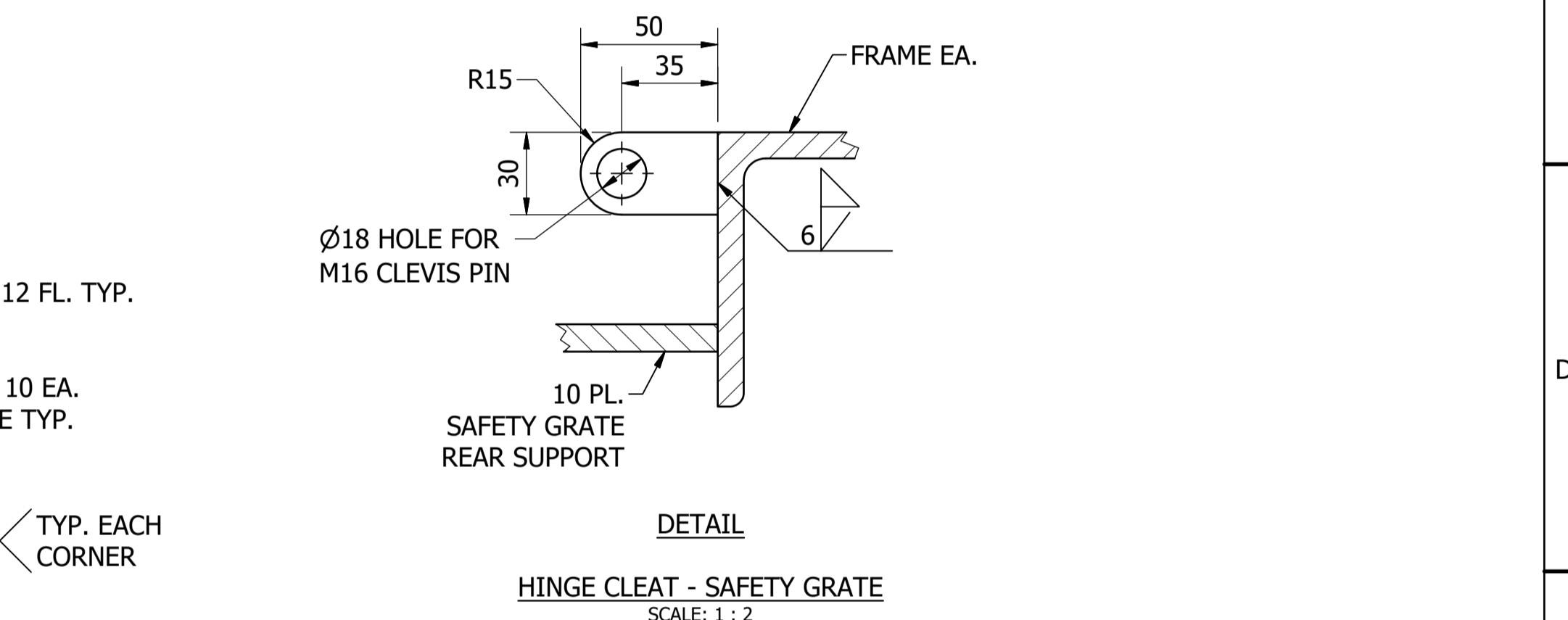
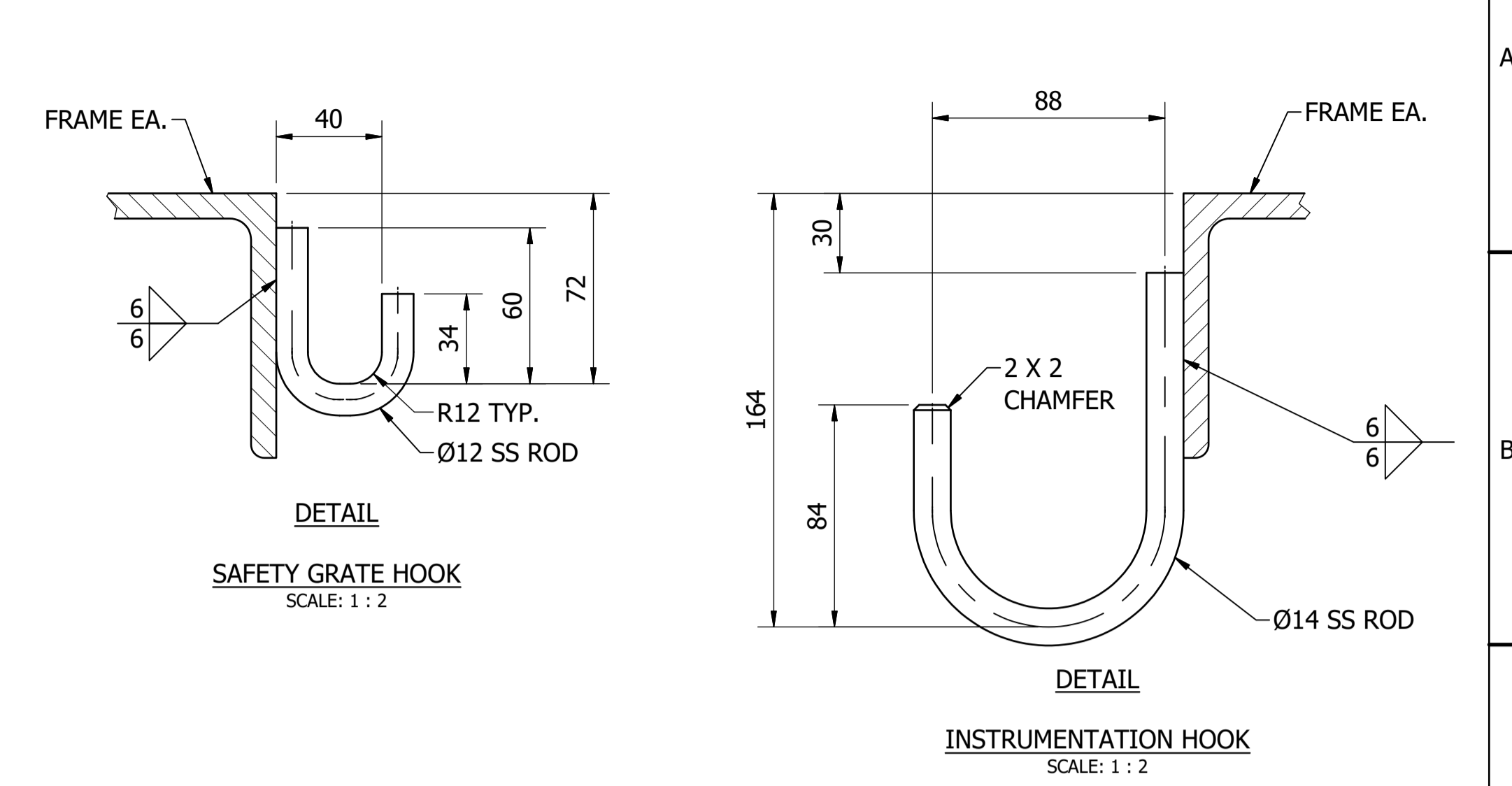
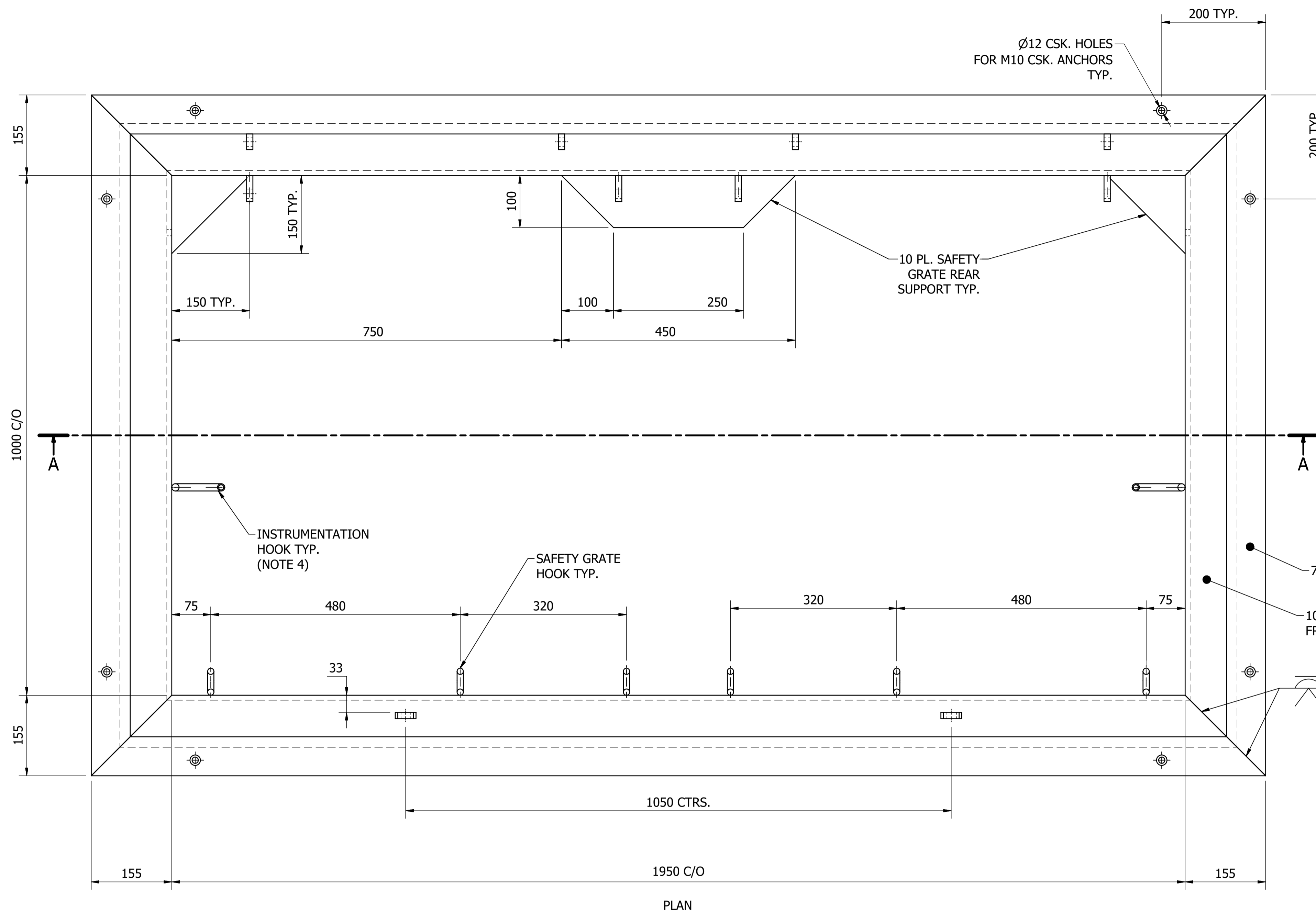


STANDARD DRAWING  
ACCESS COVERS  
ALUMINIUM, HINGED  
SEWAGE PUMPING STATIONS, WET WELL ACCESS  
ARRANGEMENT

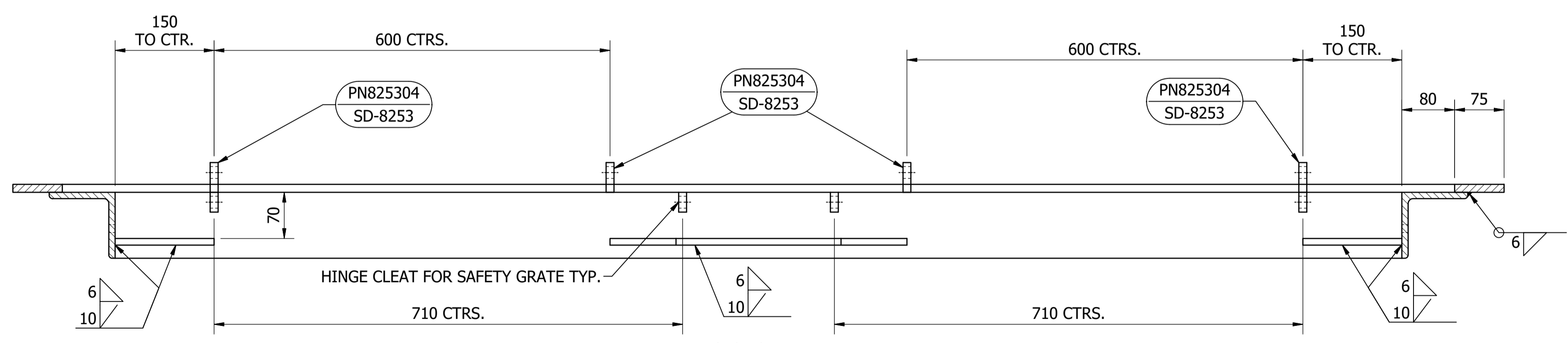
DRAWING STATUS	Current
SD-8215-D	
A1	ISSUE A

© Icon Water 2017





- NOTES:**
1. THIS HATCH DESIGN IS ONLY APPLICABLE TO SEWAGE PUMPING STATION WET WELL ACCESS. REFER "SD-4100" SERIES OF DRAWINGS FOR ADDITIONAL DETAILS.
  2. FOR STEEL FABRICATION NOTES REFER TO DRAWING SD-9103.
  3. REFER TO DRAWING SD-8214-C FOR HATCH CONNECTION TO CONCRETE DETAILS.
  4. INSTRUMENTATION HOOK LOCATIONS ARE INDICATIVE. NUMBER OF HOOKS AND FINAL LOCATIONS TO BE DETERMINED FOR SPECIFIC SITE/PROJECT REQUIREMENTS.



ITEM	AMDT.
PN821601	

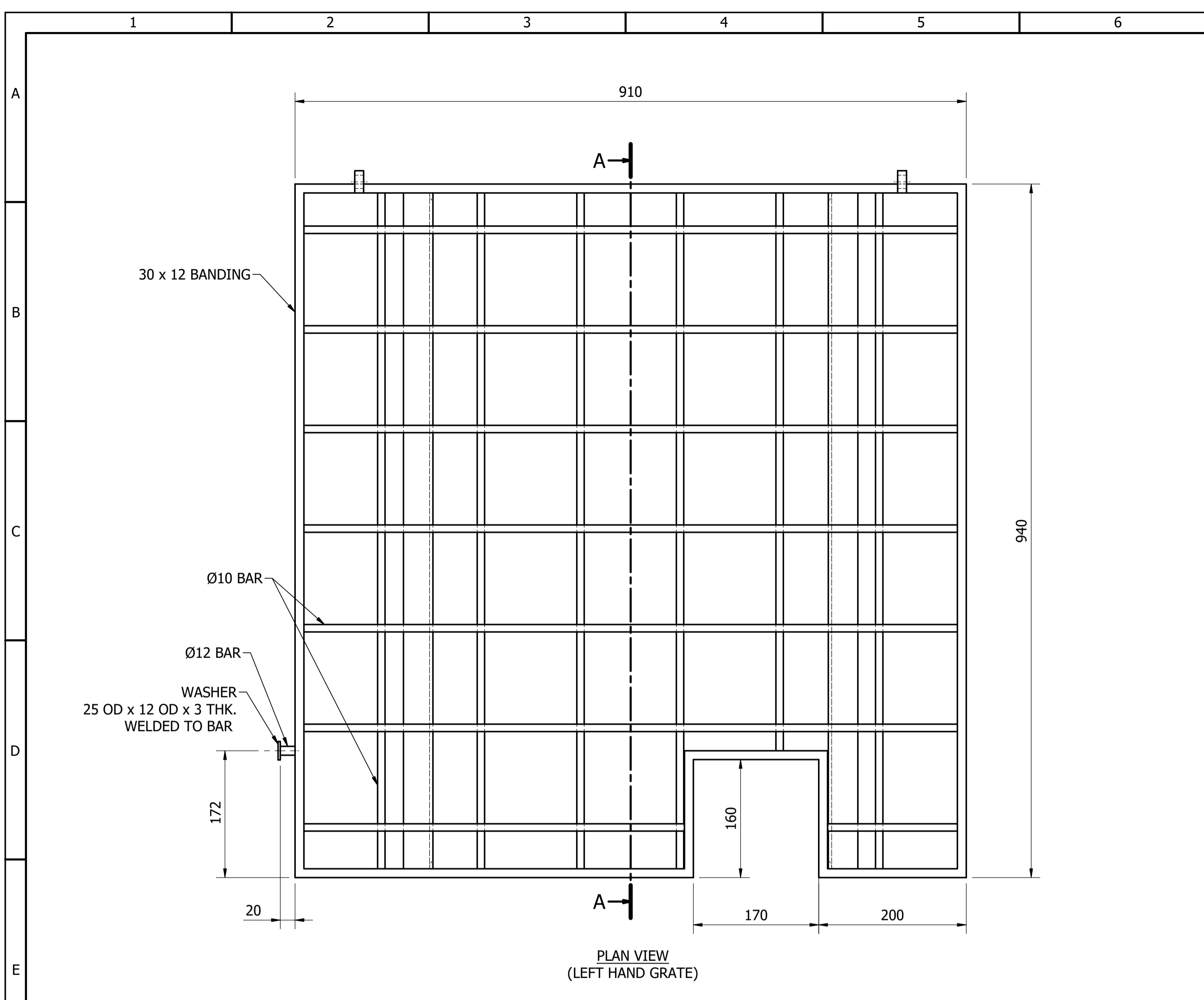
No.	ISSUE	DATE	DRAWN	CHECKED	AUTHORISED
A	INITIAL ISSUE	8/06/2018	M. Matusiak	K. Danenbergson	C. Patrick

DAM	RES	SPS	X
BWS	WAT	STP	
WTP	SEW		
WPS	REC		

ASSET AREA APPLICABILITY

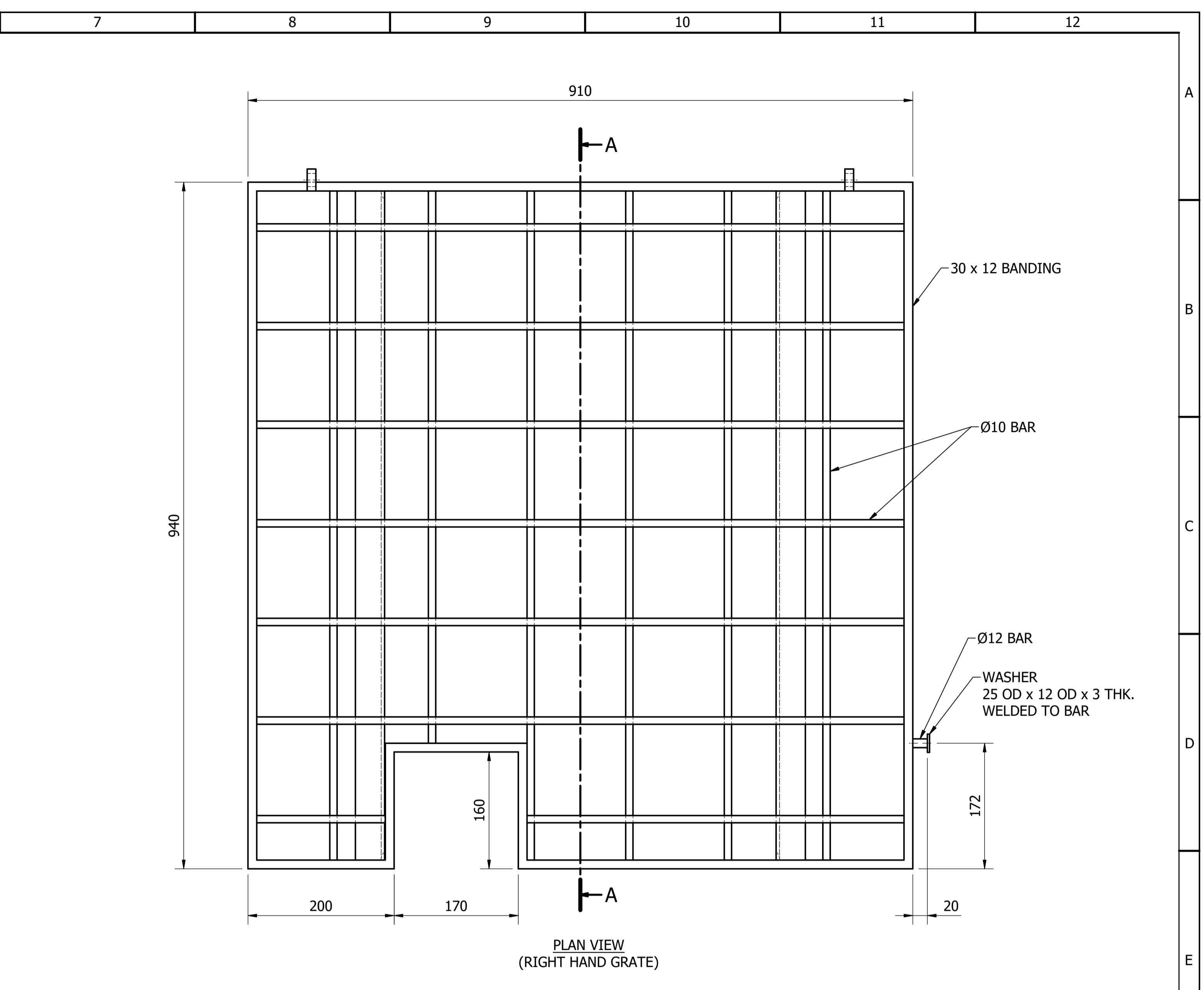
STANDARD DRAWING  
ACCESS COVERS  
ALUMINIUM, HINGED  
SEWAGE PUMPING STATIONS, WET WELL ACCESS  
FRAME DETAILS

DRAWING STATUS	Current
SD-8216-D	ISSUE A
A1	© Icon Water 2017



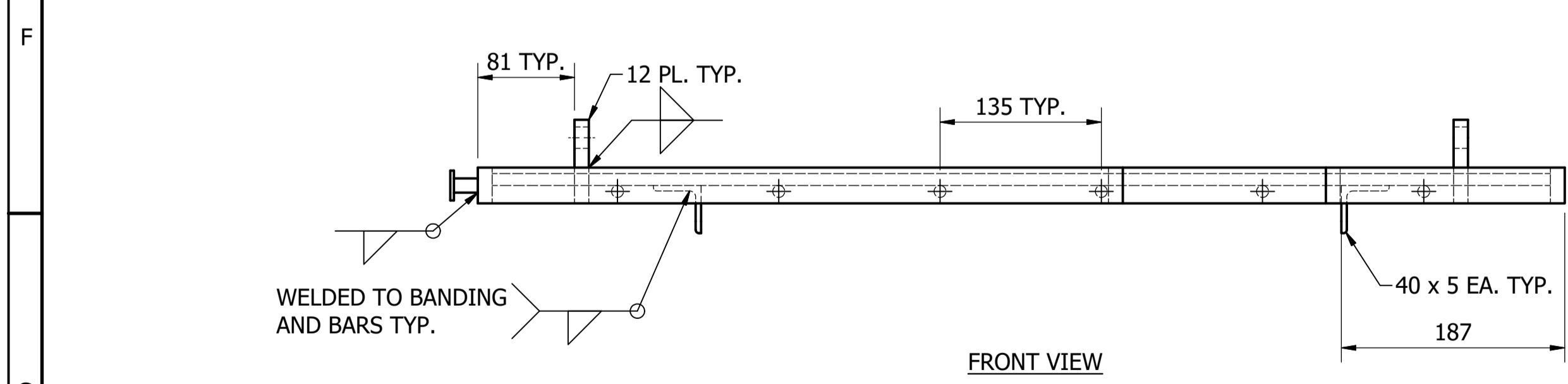
PLAN VIEW  
(LEFT HAND GRATE)

ITEM	AMDT.
PN821701	

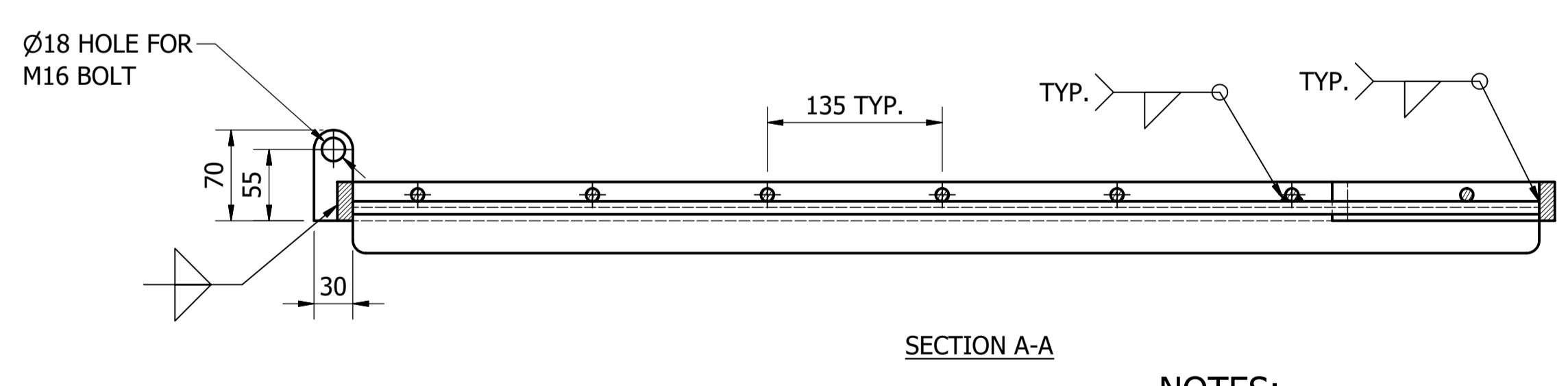


PLAN VIEW  
(RIGHT HAND GRATE)

ITEM	AMDT.
PN821702	



FRONT VIEW



SECTION A-A

**SAFETY GRATE**  
SCALE: 1 : 4  
MATERIAL: ALUMINIUM  
COATING: N/A  
FINISH COLOUR: N/A  
MASS: 10 kg

- NOTES:**
- THIS HATCH DESIGN IS ONLY APPLICABLE TO SEWAGE PUMPING STATION WET WELL ACCESS. REFER "SD-4100" SERIES OF DRAWINGS.
  - FOR ALUMINIUM FABRICATION NOTES REFER TO DRAWING SD-9103.
  - ALL STAINLESS STEEL AND ALUMINIUM INTERFACES TO BE SEPARATED WITH INSULATING BUSHES AND RETAINING RINGS OR WASHERS.

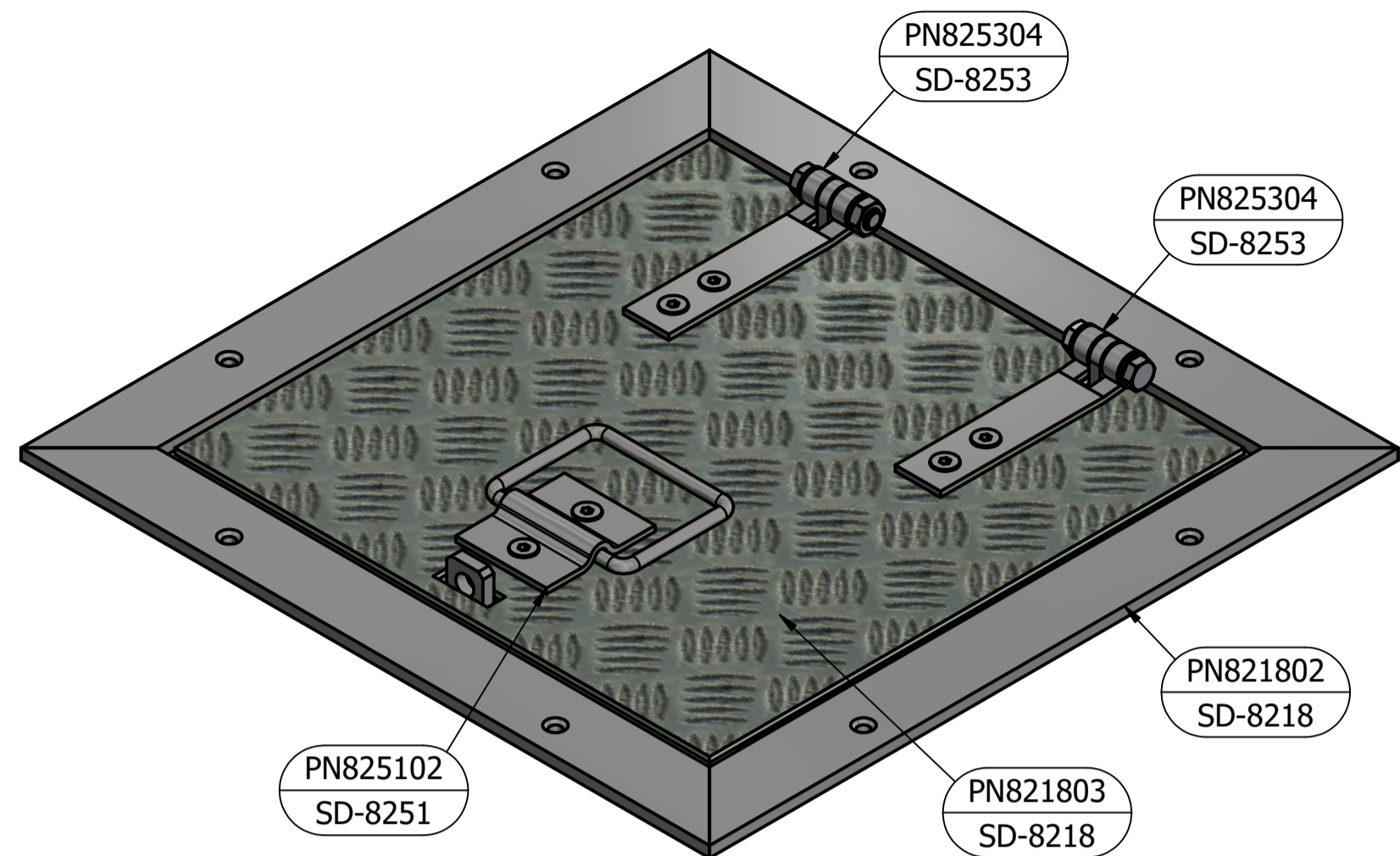
No.	ISSUE	DATE	DRAWN	CHECKED	AUTHORISED
A	INITIAL ISSUE	8/06/2018	M. Matusiak	K. Danenbergson	C. Patrick

DAM	RES	SPS
		X
BWS	WAT	STP
WTP	SEW	
WPS	REC	

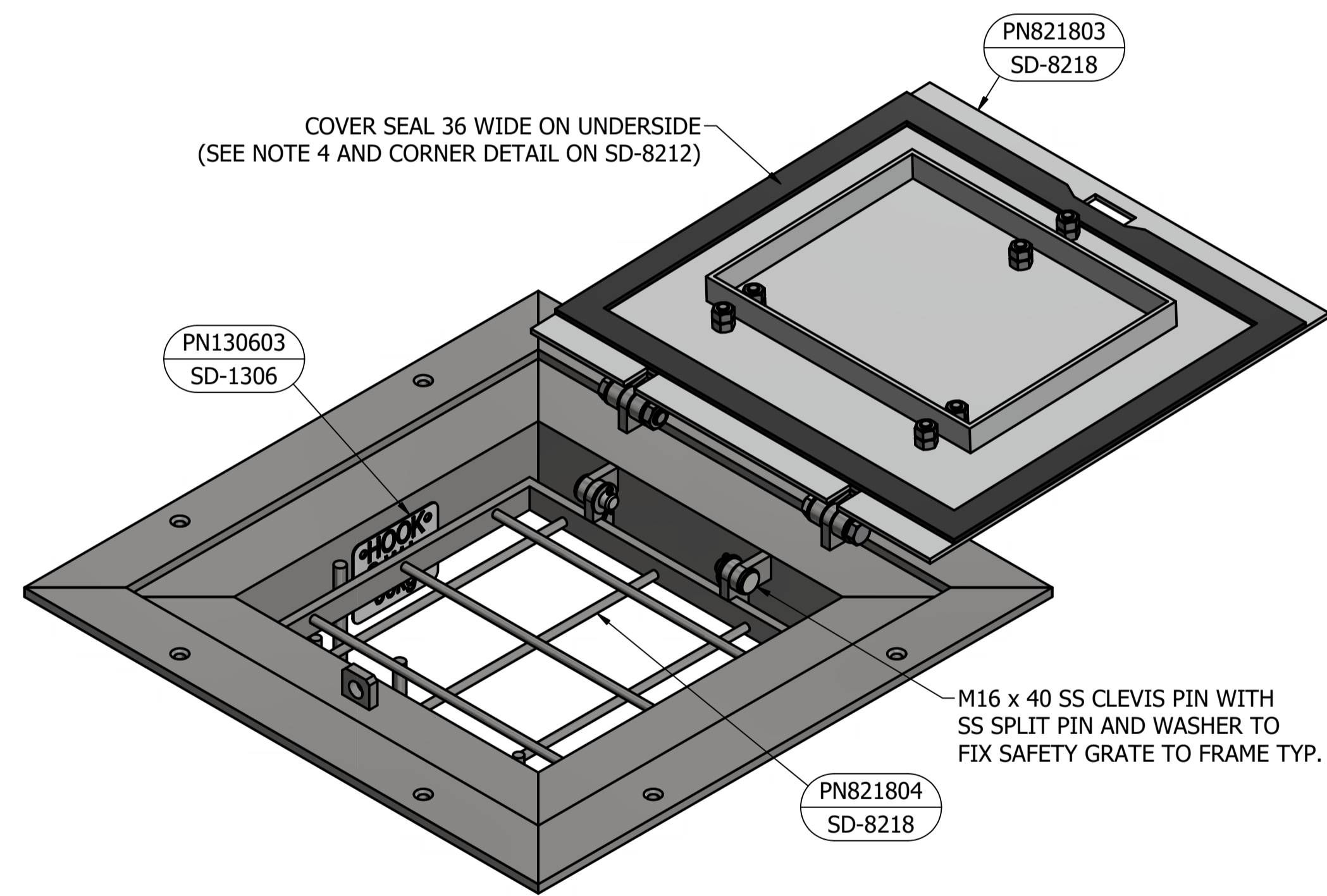


STANDARD DRAWING  
ACCESS COVERS  
ALUMINIUM, HINGED  
SEWAGE PUMPING STATIONS, WET WELL ACCESS  
SAFETY GRATE DETAILS

DRAWING STATUS	
Current	
<b>SD-8217-D</b>	
A1	ISSUE A



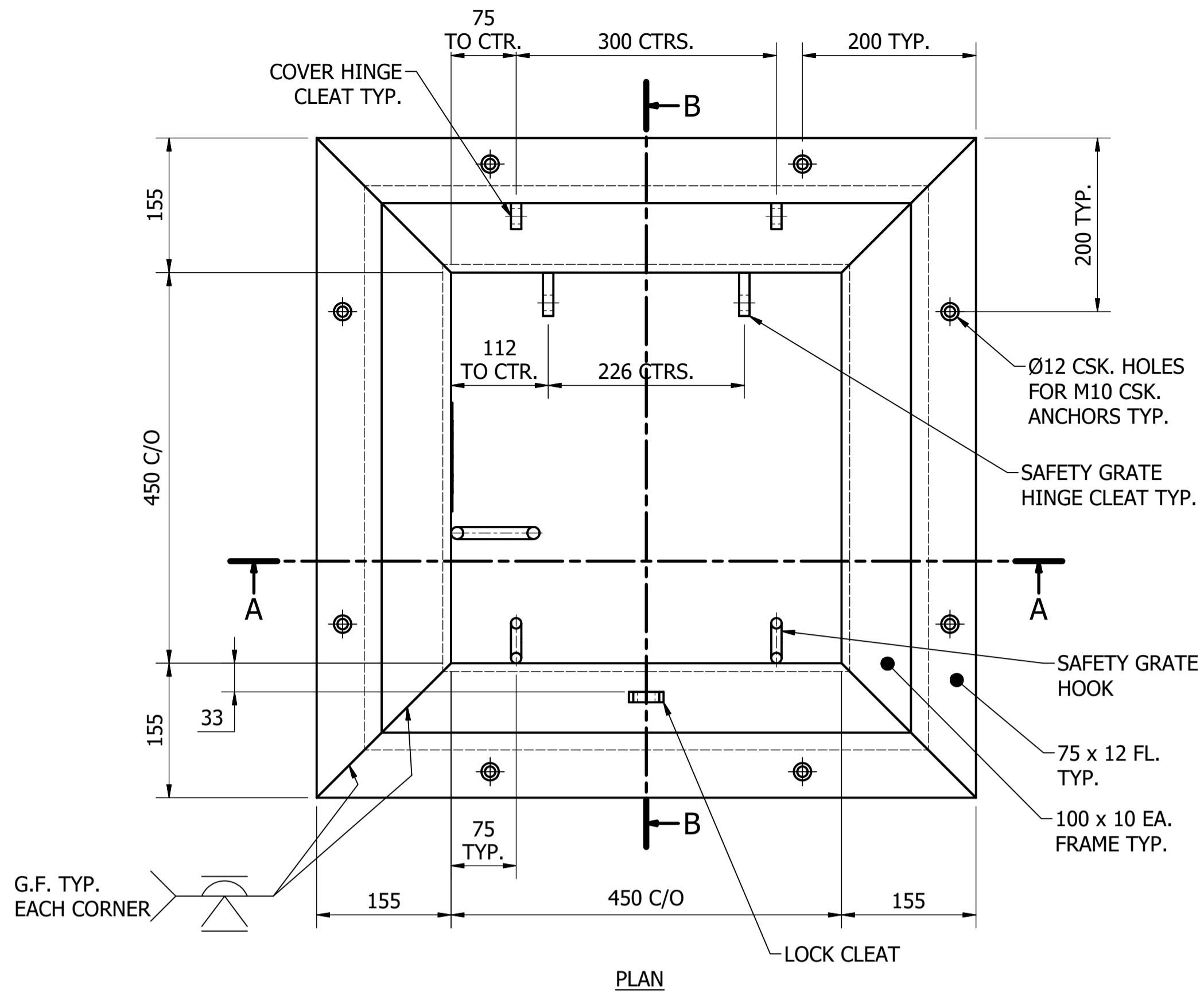
CLOSED POSITION



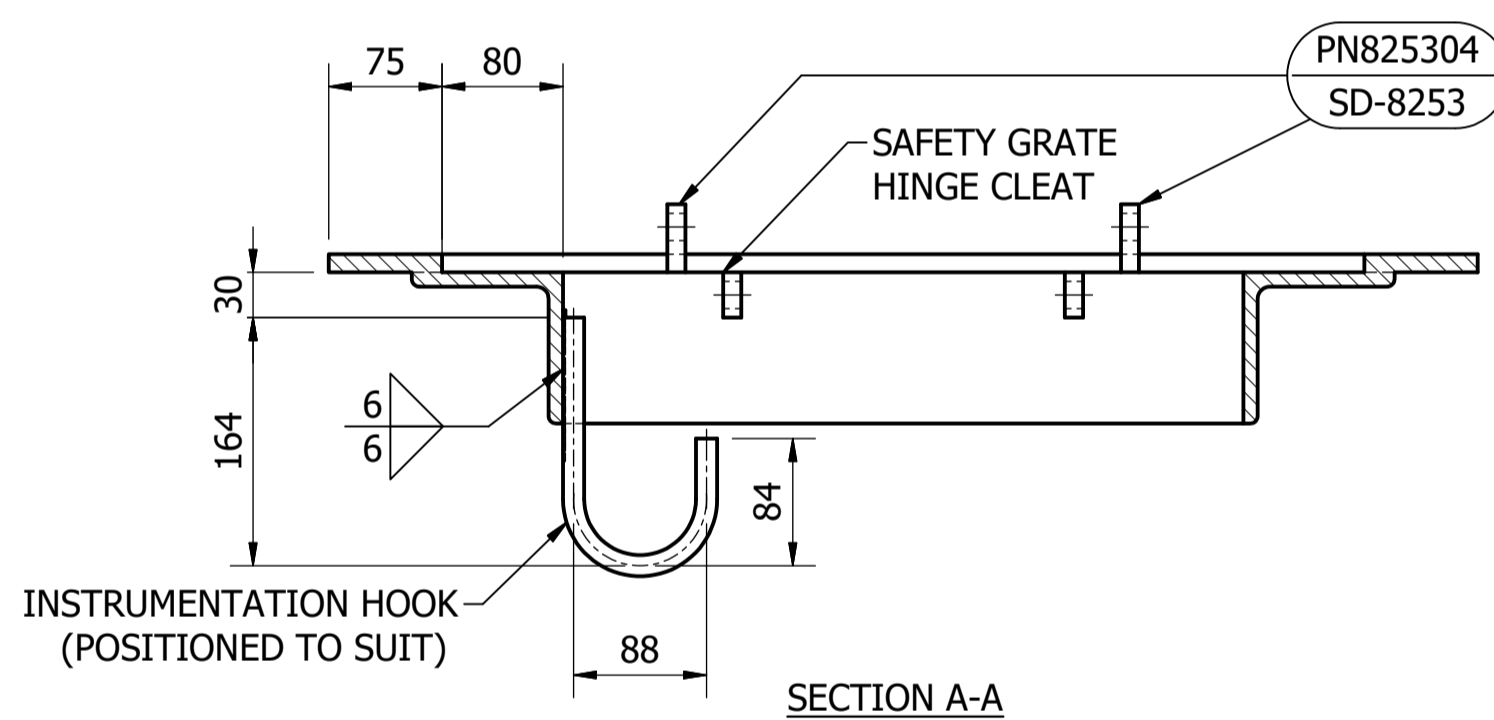
OPEN POSITION  
(SAFETY GRATE CLOSED)

PARTS LIST				
PART NUMBER	DESCRIPTION	QTY	MASS	REFERENCE
PN821802	HATCH FRAME	1	55 kg	SD-8218
PN825304	HINGE	2	1 kg	SD-8253
PN821803	HATCH COVER	1	7 kg	SD-8218
PN825102	LIFTING HANDLE	1	1 kg	SD-8251
PN821804	SAFETY GRATE	1	10 kg	SD-8218
PN130603	SAFETY SIGN (HOOK S.W.L.) SMALL	1	0.2 kg	SD-1306

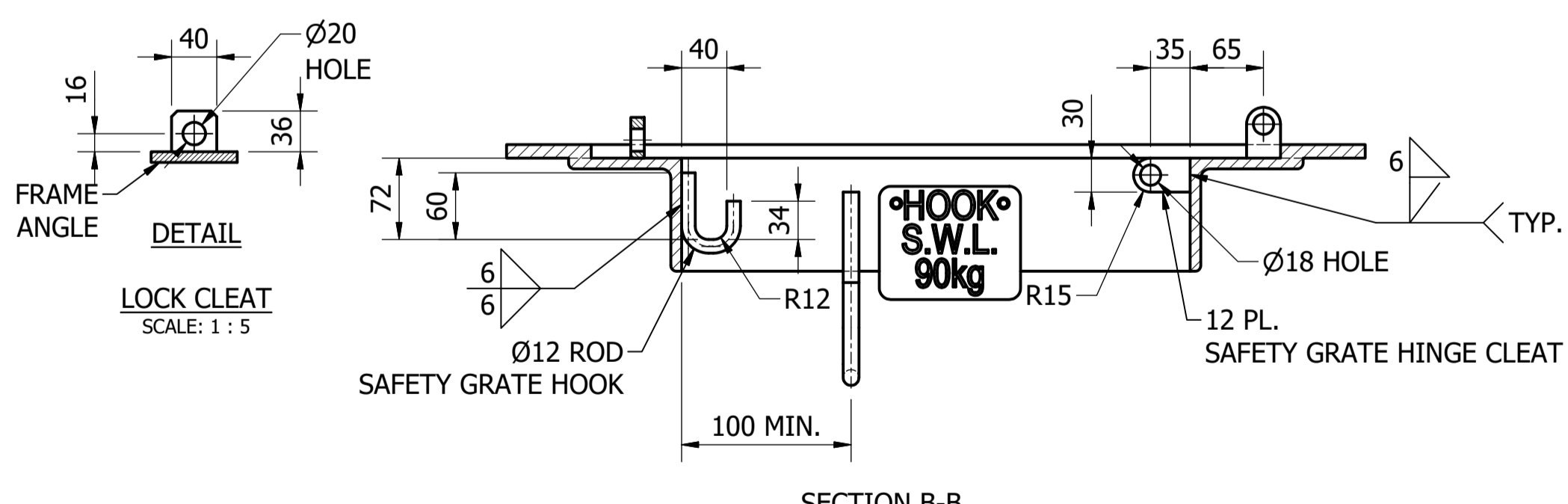
ITEM	AMDT.
PN821801	



PLAN



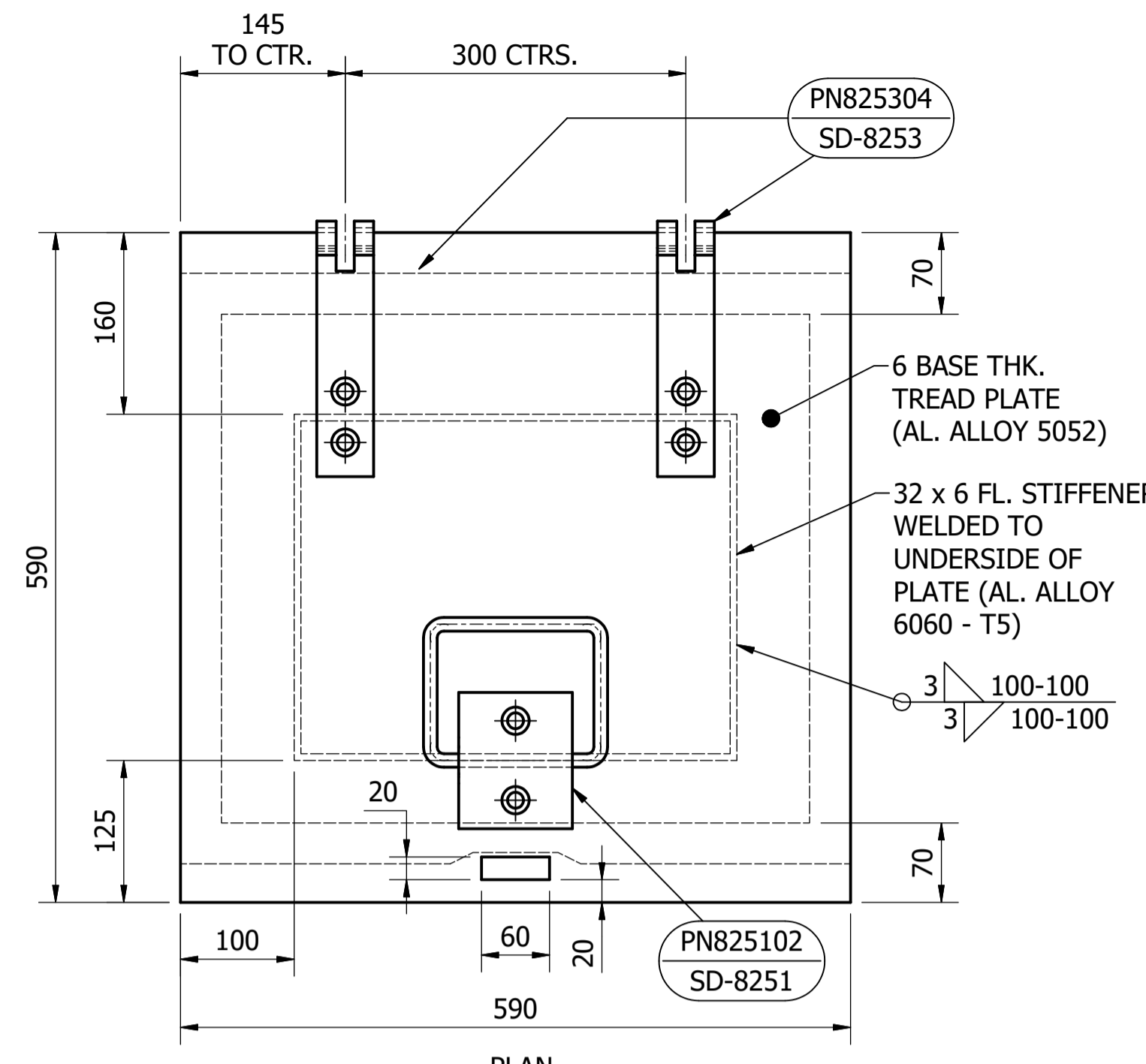
SECTION A-A



SECTION B-B

COVER FRAME  
SCALE: 1 : 5  
MATERIAL: STAINLESS STEEL  
COATING: N/A  
FINISH COLOUR: N/A  
MASS: 55 kg

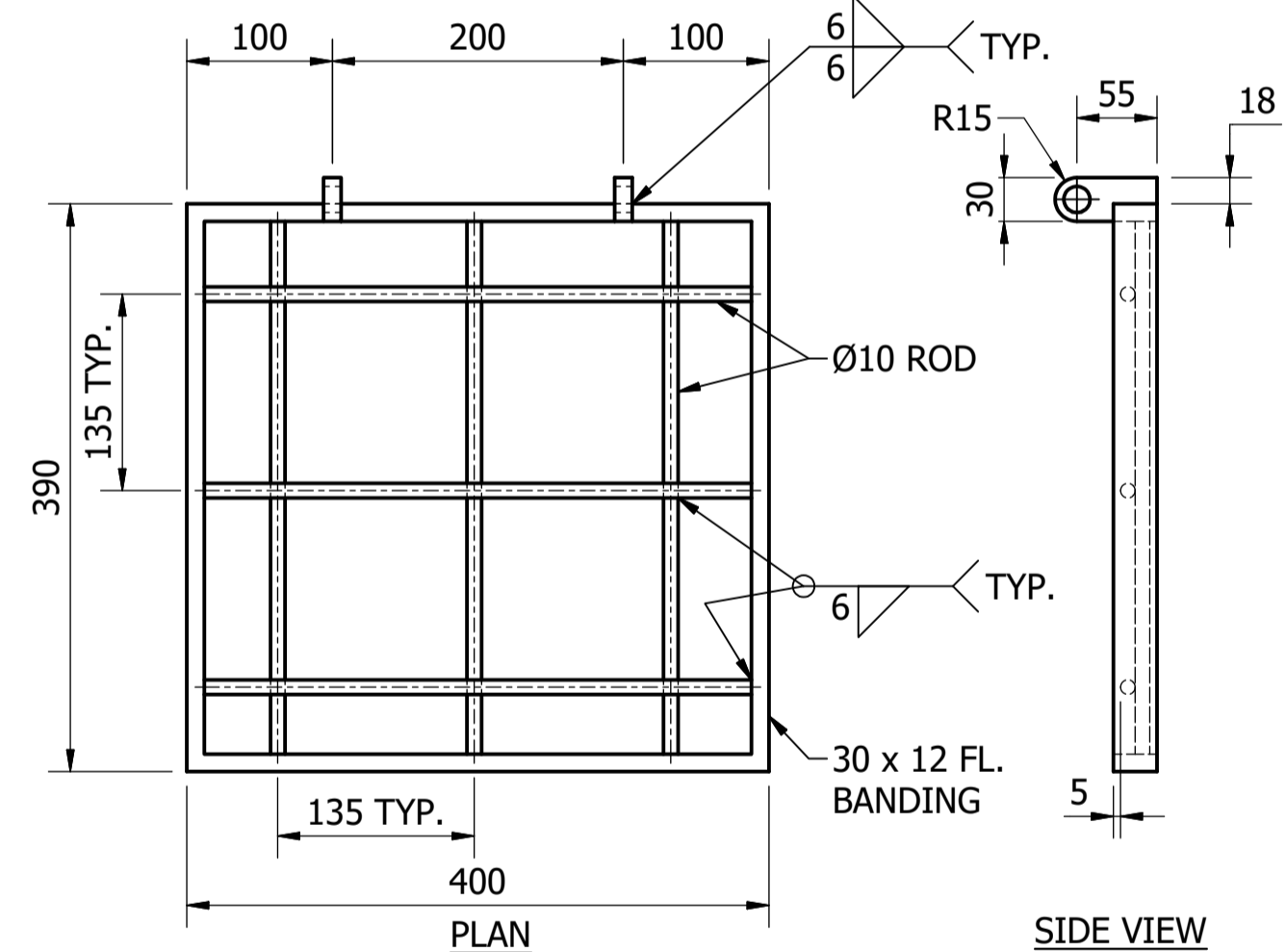
ITEM	AMDT.
PN821802	



PLAN

COVER  
SCALE: 1 : 5  
MATERIAL: ALUMINIUM  
COATING: N/A  
FINISH COLOUR: N/A  
MASS: 11 kg (INCL. HANDLE AND HINGES)

ITEM	AMDT.
PN821803	



SIDE VIEW

SAFETY GRATE  
SCALE: 1 : 5  
MATERIAL: STAINLESS STEEL  
COATING: N/A  
FINISH COLOUR: N/A  
MASS: 10 kg

ITEM	AMDT.
PN821804	

- NOTES:
- THIS HATCH DESIGN IS ONLY FOR INSTRUMENTATION ACCESS (NOT TO BE USED FOR PERSONNEL ACCESS).
  - NOTES ON DRAWING SD-8212 ARE ALSO APPLICABLE TO THIS DRAWING.
  - FOR STEEL FABRICATION NOTES REFER TO DRAWING SD-9103. AND FOR ALUMINIUM FABRICATION NOTES REFER TO DRAWING SD-9103.
  - REFER TO DRAWING SD-8214-C FOR HATCH CONNECTION TO CONCRETE DETAILS.

No.	ISSUE	DATE	DRAWN	CHECKED	AUTHORISED
A	INITIAL ISSUE	19/06/2018	M. Matusiak	K. Danenbergson	C. Patrick

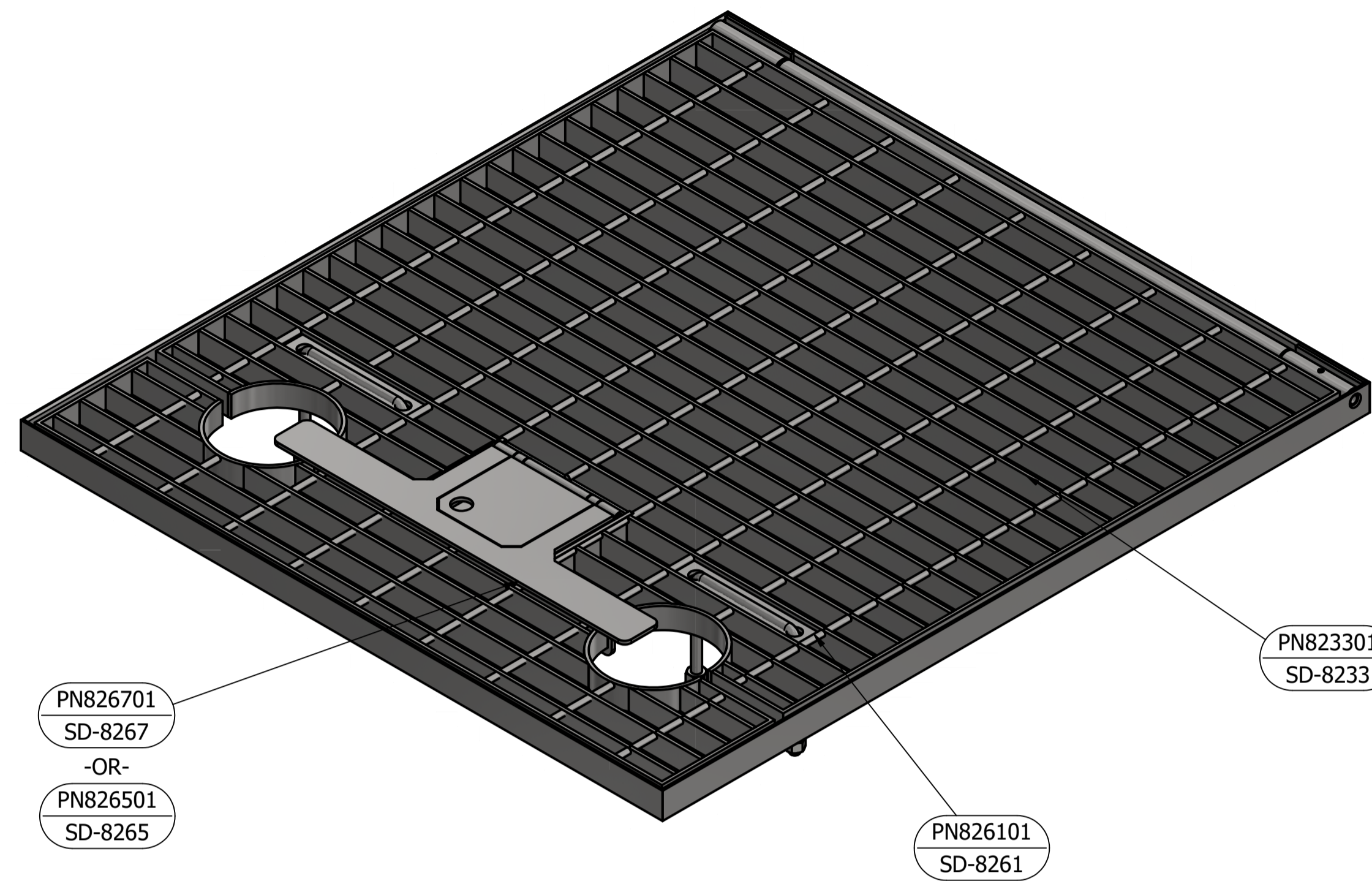
ICON WATER ACKNOWLEDGES SYDNEY WATER CORPORATION IN THE DEVELOPMENT OF THIS DRAWING

ASSET AREA APPLICABILITY			
DAM	RES	SPS	STP
			X
			X
		X	

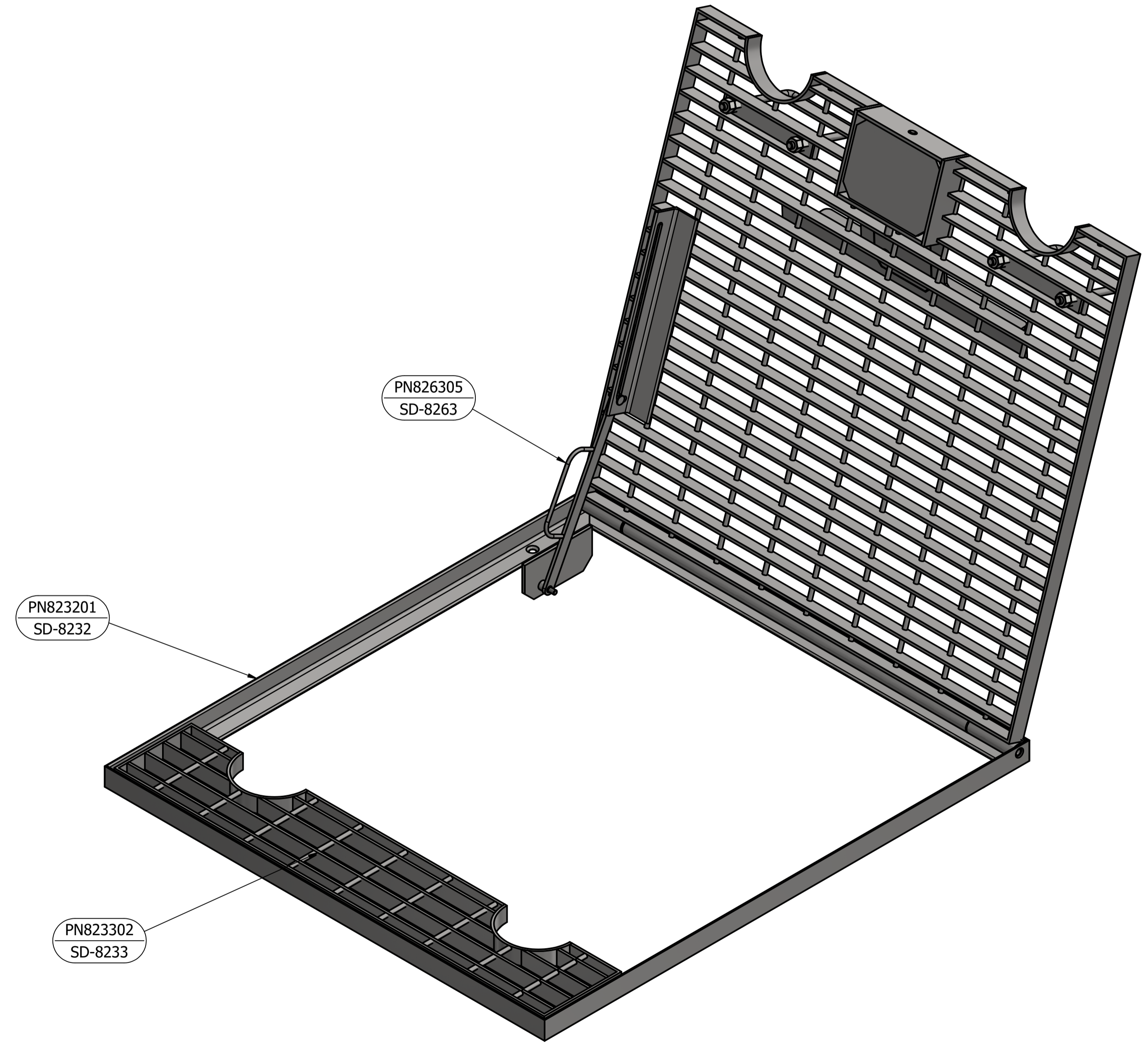


STANDARD DRAWING  
GAS-TIGHT ACCESS COVERS  
ALUMINIUM, HINGED  
INSTRUMENTATION HATCH  
ARRANGEMENT AND DETAILS

DRAWING STATUS	
Current	
SD-8218-D	
A1	ISSUE A



CLOSED POSITION



OPEN POSITION

**ISOMETRIC VIEWS  
FLUSH FIT ACCESS HATCH  
FOR VERTICAL RUNG LADDER**  
SCALE : NTS

MATERIAL: CARBON STEEL  
COATING: HOT DIP GALVANISED  
FINISH COLOUR: N/A  
MASS: 60 kg (INCLUDING FRAME)

**PARTS LIST**

PART NUMBER	DESCRIPTION	QTY	MASS	REFERENCE
PN823201	HATCH FRAME	1	12 kg	SD-8232
PN823301	HATCH COVER	1	32 kg	SD-8233
PN823302	FIXED HATCH COVER	1	8 kg	SD-8233
PN826701	LOCK BOX - STANCHION LOCKING TYPE	1	6 kg	SD-8267
PN826101	LIFTING HANDLE	2	1 kg	SD-8261

ITEM	AMDT.
PN823101	

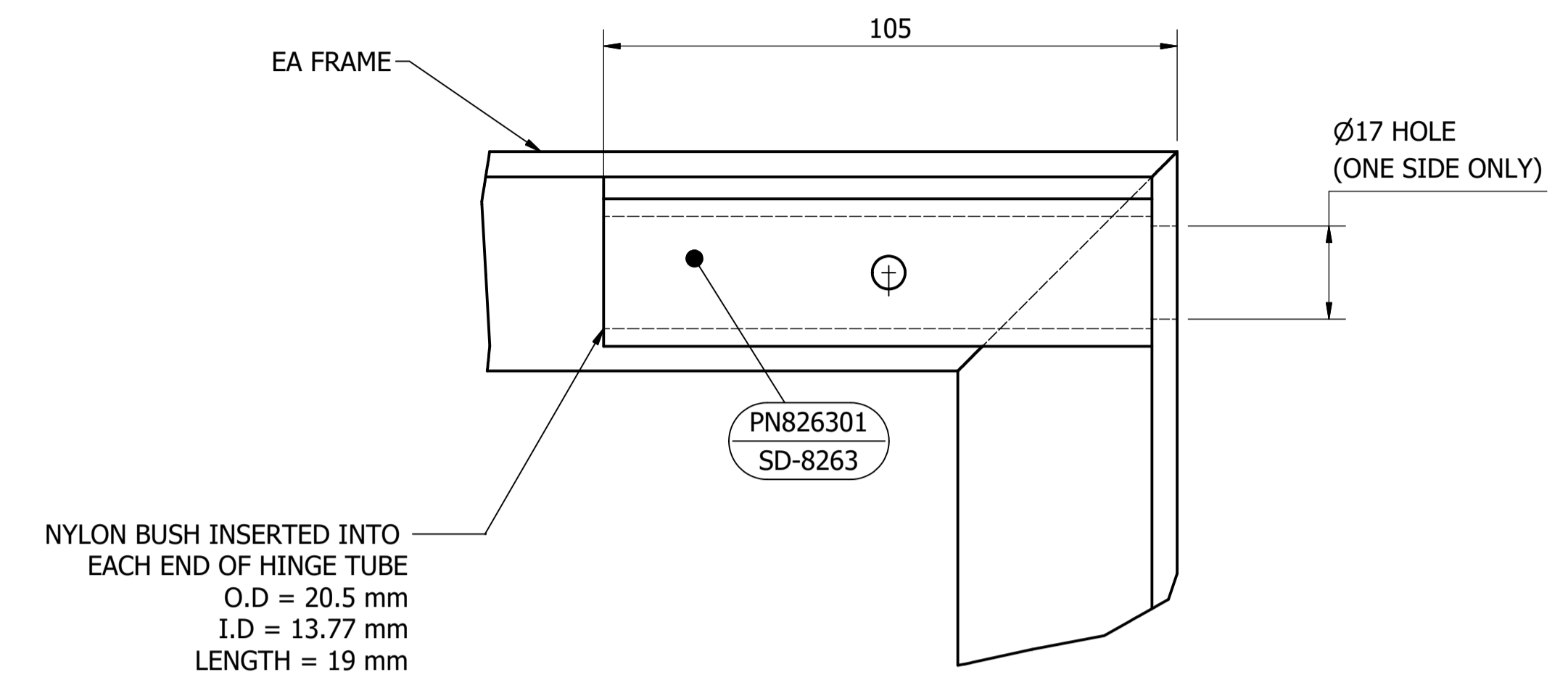
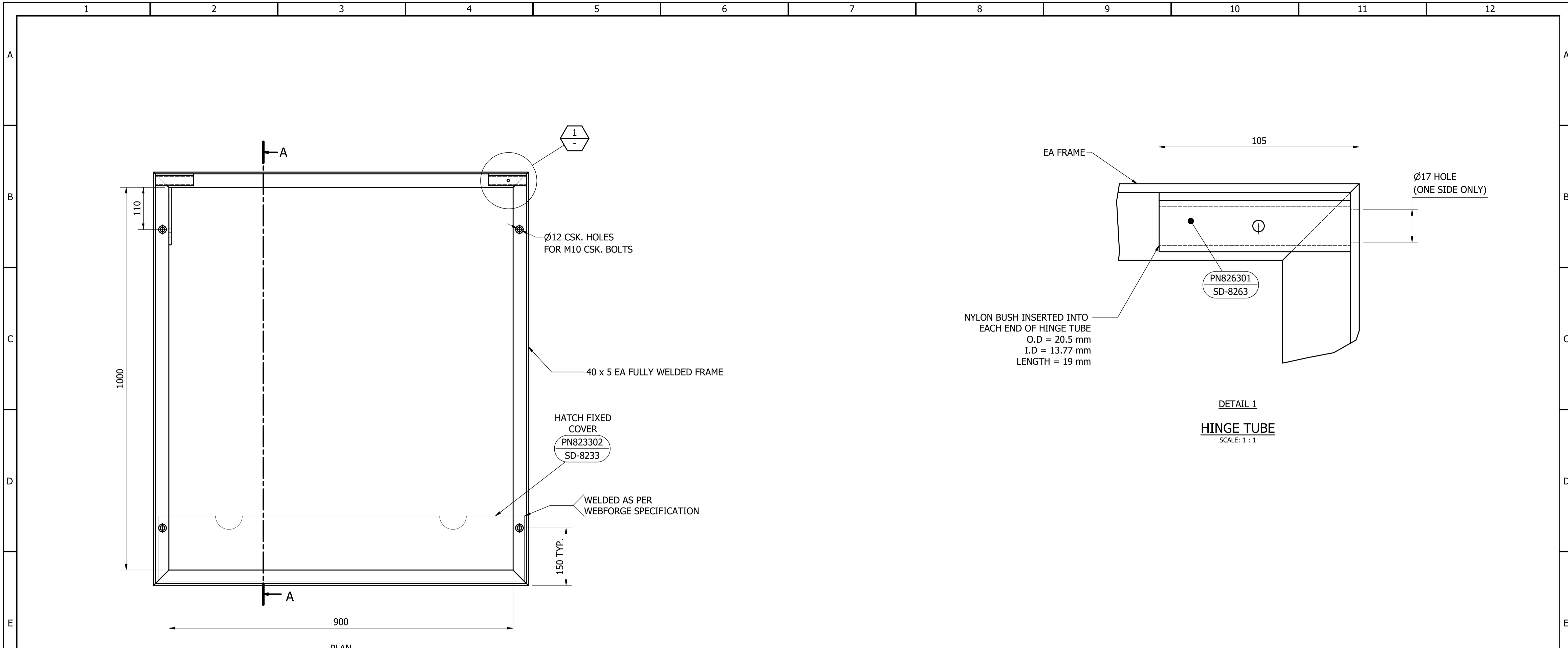
No.	ISSUE	DATE	DRAWN	CHECKED	AUTHORISED
A	INITIAL ISSUE	15/06/2018	S. Essery	K. Danenbergsons	D. Eager

ASSET AREA APPLICABILITY					
DAM	<input checked="" type="checkbox"/>	RES	<input checked="" type="checkbox"/>	SPS	<input checked="" type="checkbox"/>
BWS	<input checked="" type="checkbox"/>	WAT	<input checked="" type="checkbox"/>	STP	<input checked="" type="checkbox"/>
WTP	<input checked="" type="checkbox"/>	SEW	<input checked="" type="checkbox"/>		
WPS	<input checked="" type="checkbox"/>	REC	<input checked="" type="checkbox"/>		

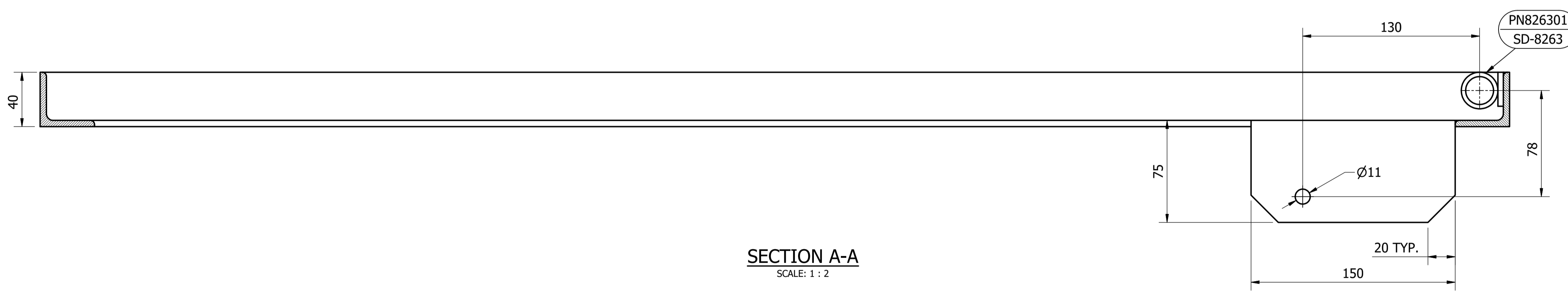


STANDARD DRAWING  
FLUSH FIT ACCESS COVERS - HOT DIP GALVANISED STEEL  
HINGED FOR VERTICAL RUNG LADDERS  
ARRANGEMENT

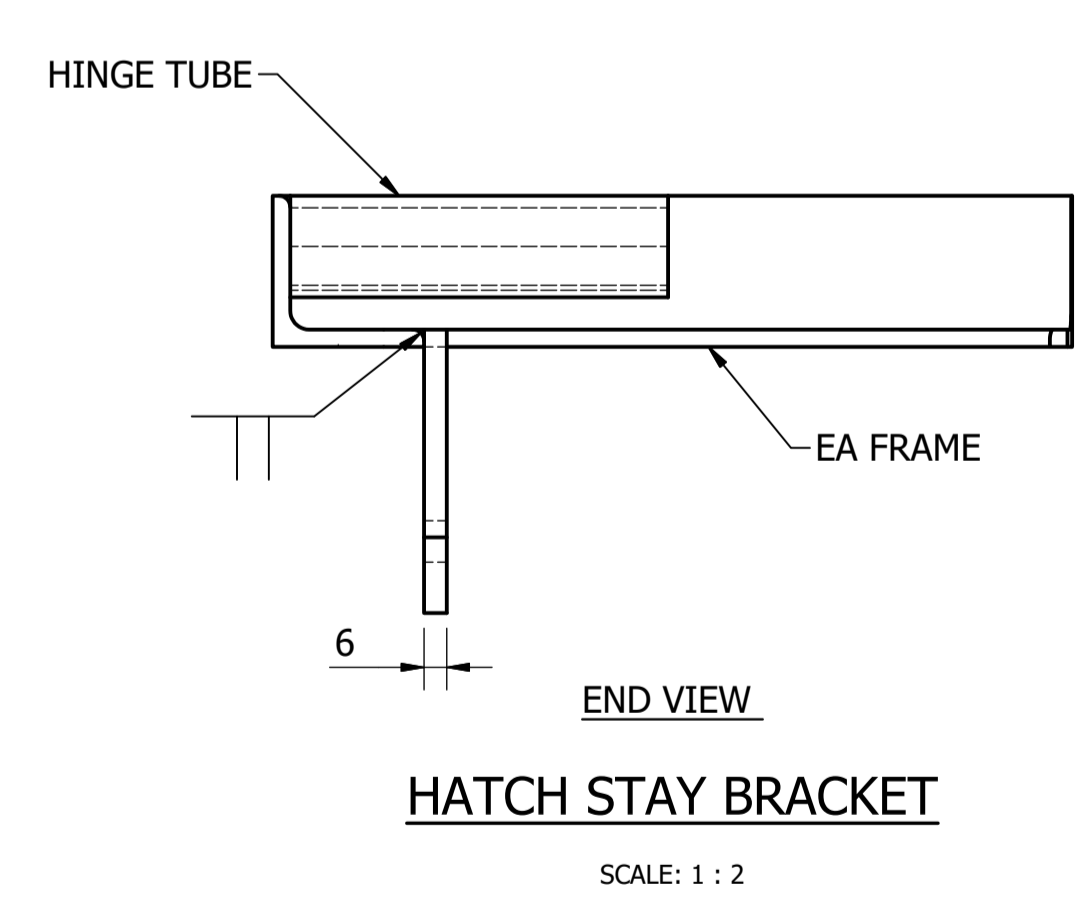
DRAWING STATUS	
Current	
SD-8231-D	
A1	ISSUE A



DETAIL 1  
HINGE TUBE  
SCALE: 1 : 1



SECTION A-A  
SCALE: 1 : 2



END VIEW  
HATCH STAY BRACKET  
SCALE: 1 : 2

HATCH FRAME  
SCALE: 1 : 5

MATERIAL: CARBON STEEL  
COATING: HOT DIP GALVANISED  
FINISH COLOUR: N/A  
MASS: 12 kg

ITEM	AMDT.
PN823201	

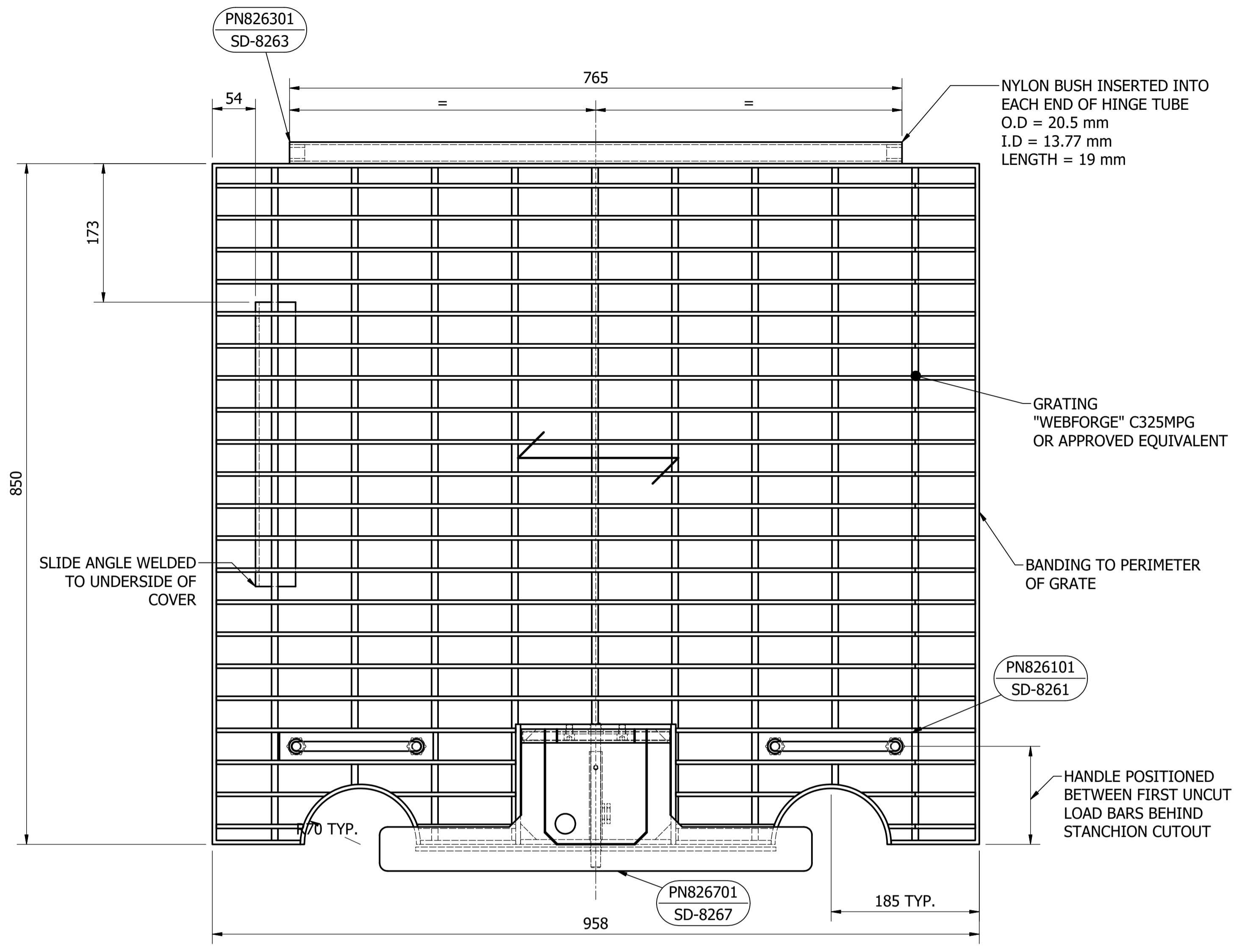
No.	ISSUE	DATE	DRAWN	CHECKED	AUTHORISED
A	INITIAL ISSUE	15/06/2018	S. Essery	K. Danenbergs	D. Eager

DAM	RES	SPS
BWS	WAT	STP
WTP	SEW	
WPS	REC	

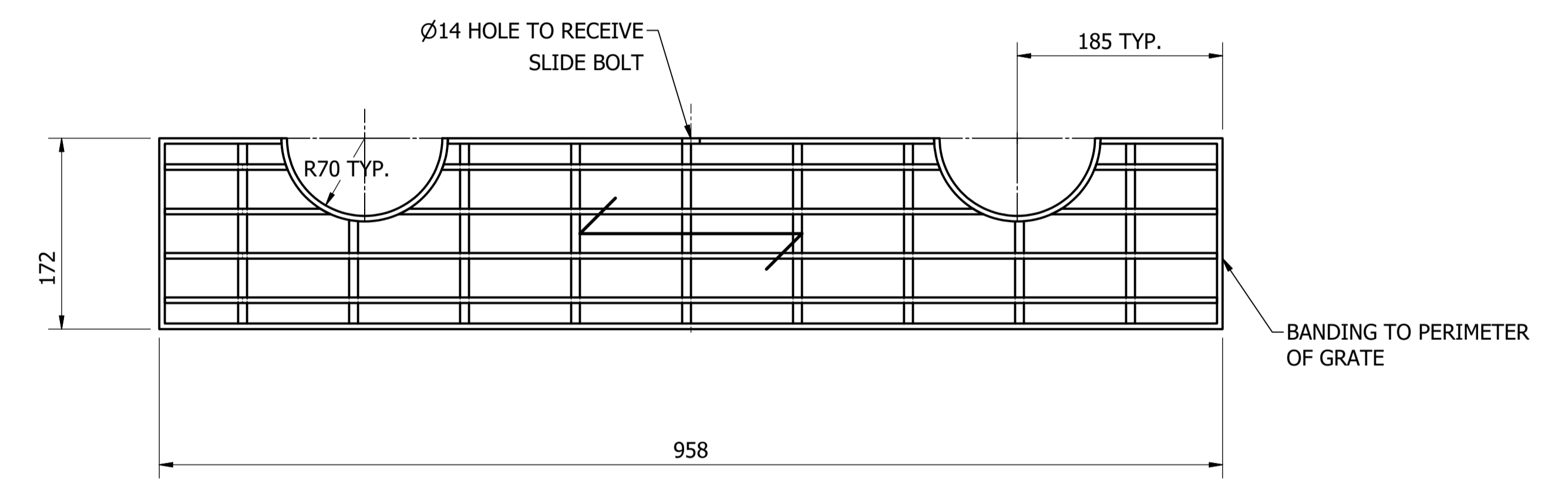


STANDARD DRAWING  
FLUSH FIT ACCESS COVERS - HOT DIP GALVANISED STEEL  
HINGED FOR VERTICAL RUNG LADDERS  
FRAME DETAILS

DRAWING STATUS	
Current	
SD-8232-D	
A1	ISSUE A



PLAN  
**HATCH COVER**  
 SCALE: 1 : 4  
 MATERIAL: CARBON STEEL  
 COATING: HOT DIP GALVANISED  
 FINISH COLOUR: N/A  
 MASS: 30 kg



PLAN  
**HATCH FIXED COVER**  
 SCALE: 1 : 4  
 MATERIAL: CARBON STEEL  
 COATING: HOT DIP GALVANISED  
 FINISH COLOUR: N/A  
 MASS: 9 kg

**NOTES:**  
 1. CARE TO BE TAKEN TO ALIGN WEB GRATE LOAD BARS AND CROSS RODS AS TO NOT INTERFERE WITH THE LIFTING HANDLES AND HATCH STAY.

ITEM	AMDT.
PN823301	

ITEM	AMDT.
PN823302	

DAM	RES	SPS
BWS	WAT	STP
WTP	SEW	
WPS	REC	



STANDARD DRAWING  
 FLUSH FIT ACCESS COVERS - HOT DIP GALVANISED STEEL  
 HINGED FOR VERTICAL RUNG LADDERS  
 COVER DETAILS

DRAWING STATUS	
Current	
SD-8233-D	
A1	ISSUE A

No.	ISSUE	DATE	DRAWN	CHECKED	AUTHORISED
A	INITIAL ISSUE	15/06/2018	S. Essery	K. Danenbergsons	D. Eager

1 2 3 4 5 6 7 8 9 10 11 12

A

B

C

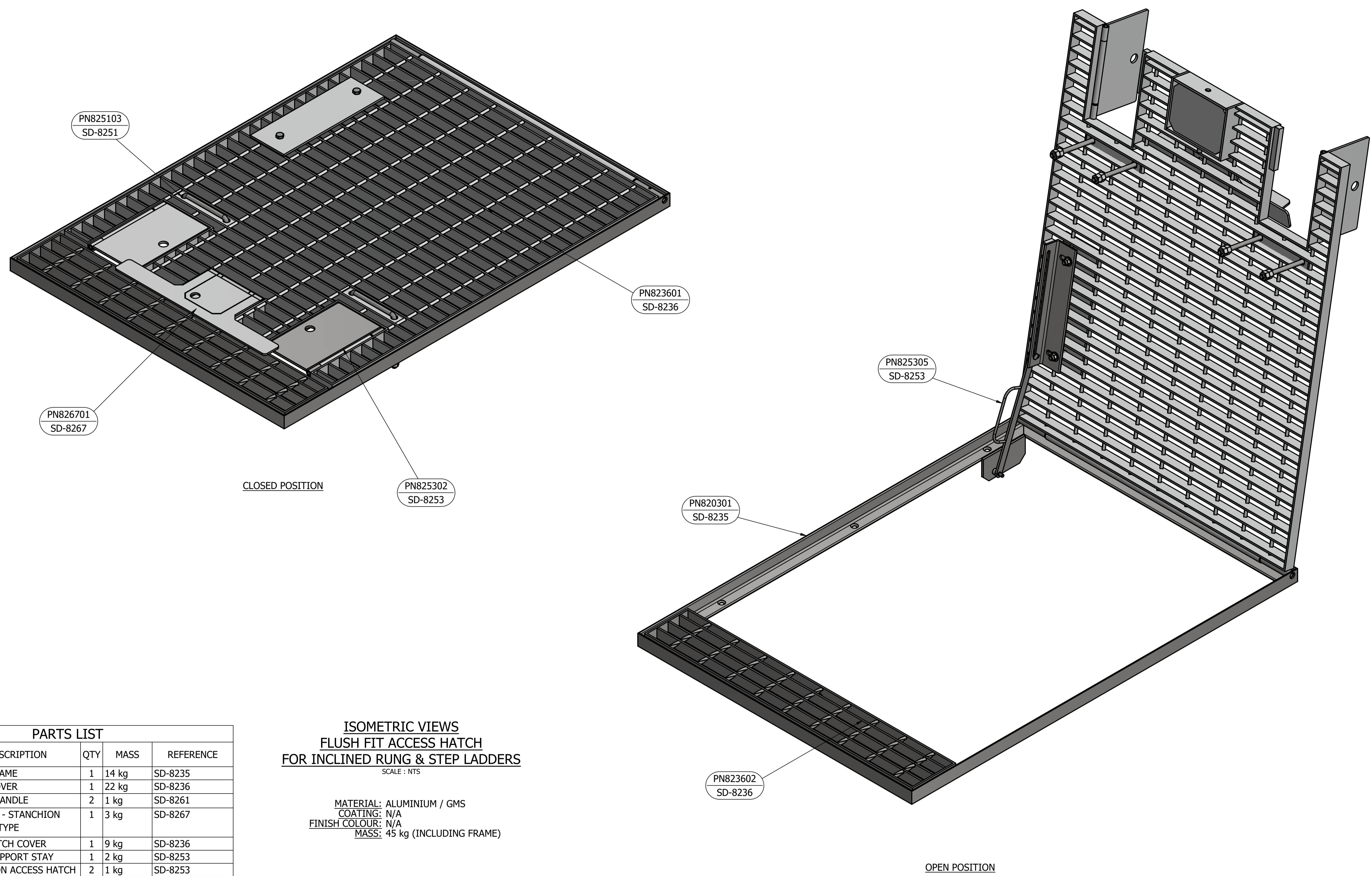
D

E

F

G

H



CLOSED POSITION

OPEN POSITION

**ISOMETRIC VIEWS  
FLUSH FIT ACCESS HATCH  
FOR INCLINED RUNG & STEP LADDERS**  
SCALE : NTS

MATERIAL: ALUMINIUM / GMS  
COATING: N/A  
FINISH COLOUR: N/A  
MASS: 45 kg (INCLUDING FRAME)

**PARTS LIST**

PART NUMBER	DESCRIPTION	QTY	MASS	REFERENCE
PN825301	HATCH FRAME	1	14 kg	SD-8235
PN823601	HATCH COVER	1	22 kg	SD-8236
PN826101	LIFTING HANDLE	2	1 kg	SD-8261
PN826701	LOCK BOX - STANCHION LOCKING TYPE	1	3 kg	SD-8267
PN823602	FIXED HATCH COVER	1	9 kg	SD-8236
PN825305	HATCH SUPPORT STAY	1	2 kg	SD-8253
PN825302	STANCHION ACCESS HATCH	2	1 kg	SD-8253

ITEM	AMDT.
PN823401	

No.	ISSUE	DATE	DRAWN	CHECKED	AUTHORISED
A	INITIAL ISSUE	15/06/2018	K. Patel	K. Danenbergsons	D. Eager

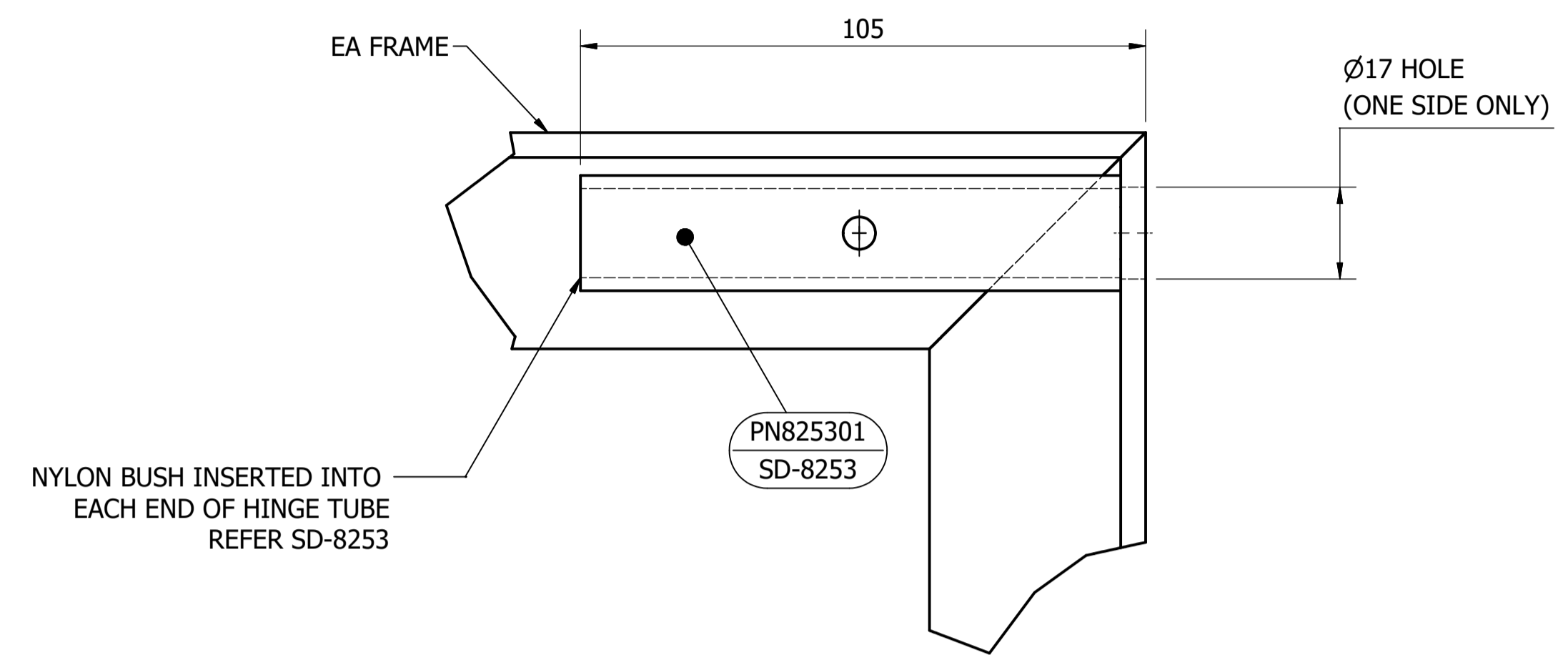
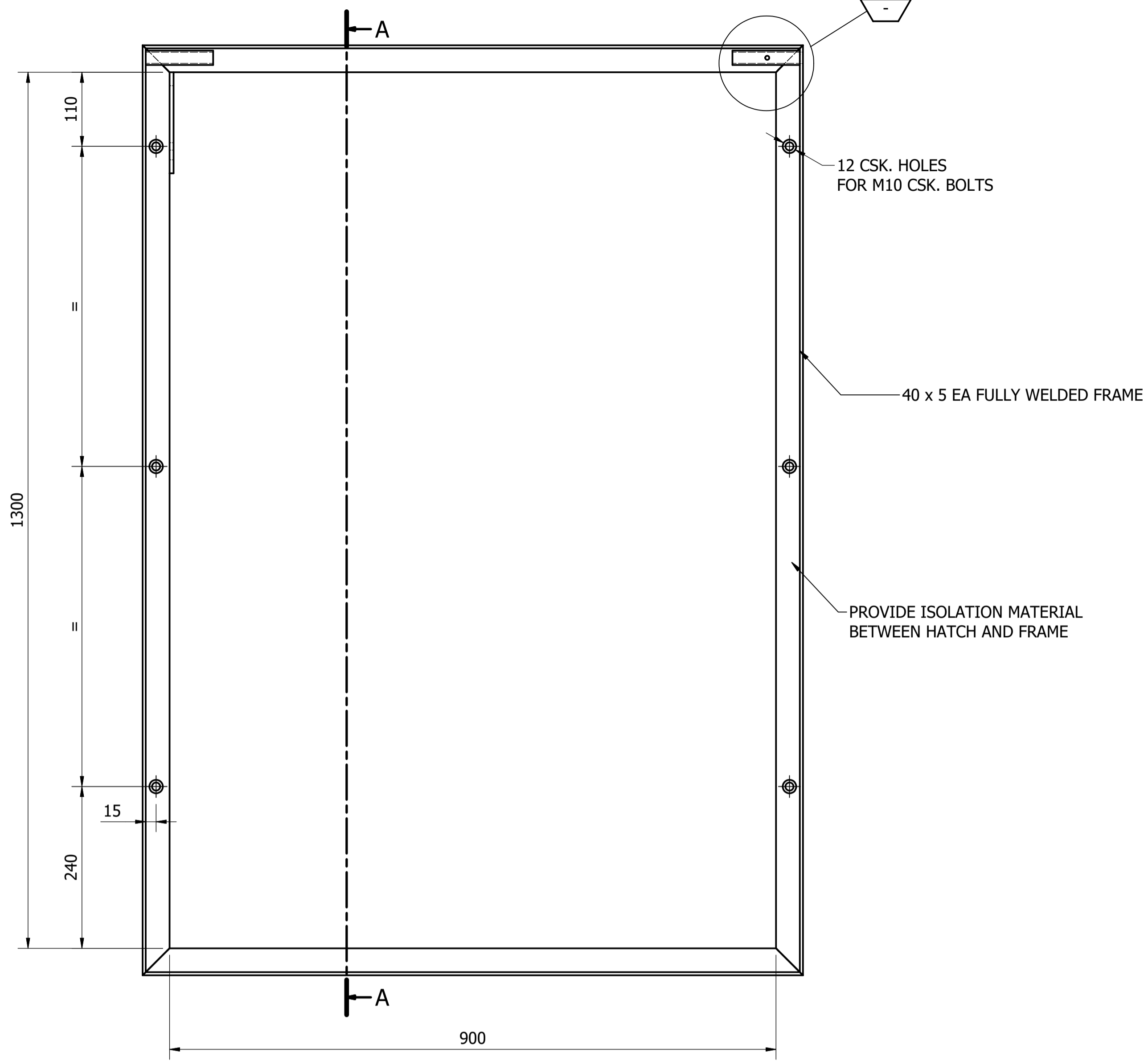
DAM	<input checked="" type="checkbox"/>	RES	<input checked="" type="checkbox"/>	SPS	<input checked="" type="checkbox"/>
BWS	<input checked="" type="checkbox"/>	WAT	<input checked="" type="checkbox"/>	STP	<input checked="" type="checkbox"/>
WTP	<input checked="" type="checkbox"/>	SEW	<input checked="" type="checkbox"/>		
WPS	<input checked="" type="checkbox"/>	REC	<input checked="" type="checkbox"/>		



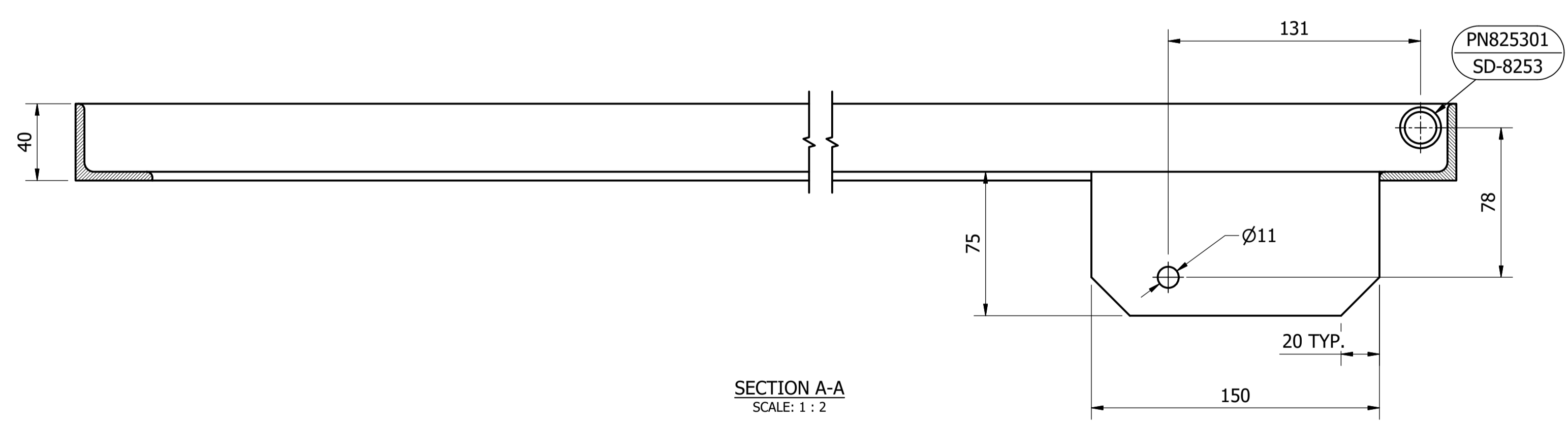
STANDARD DRAWING  
FLUSH FIT ACCESS COVERS - HDG AND ALUMINIUM  
HINGED FOR INCLINED RUNG AND STEP LADDERS  
ARRANGEMENT

DRAWING STATUS	
Current	
SD-8234-D	
A1	ISSUE A
© Icon Water 2017	

1 2 3 4 5 6 7 8 9 10 11 12

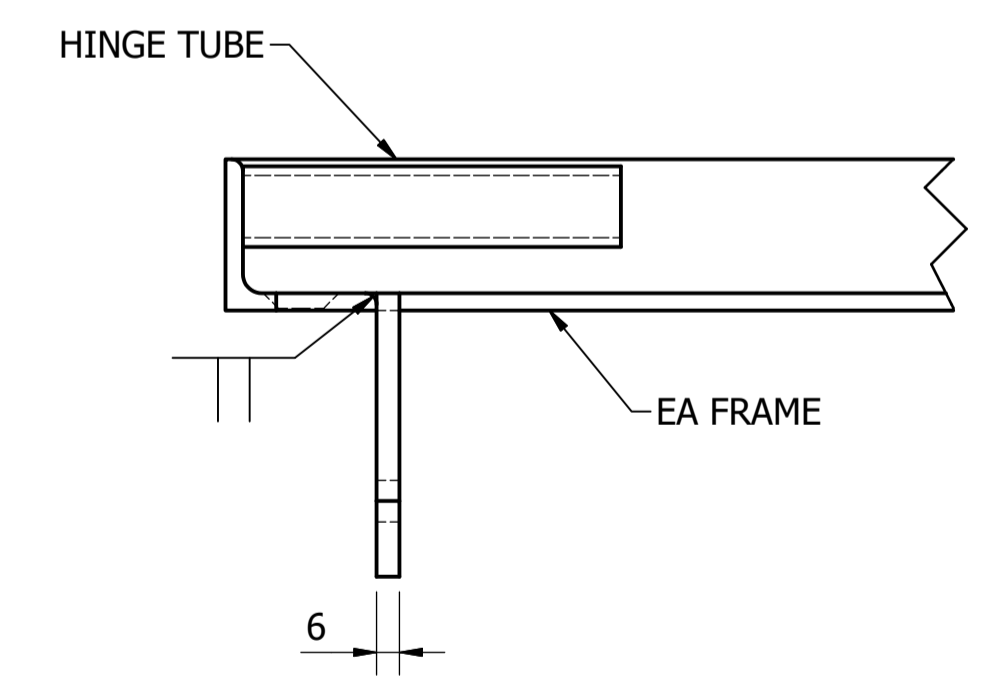


DETAIL 1  
HINGE TUBE  
SCALE: 1 : 1



HATCH FRAME

MATERIAL: CARBON STEEL  
COATING: HOT DIP GALVANISED  
FINISH COLOUR: N/A  
MASS: 14 kg



END VIEW  
HATCH STAY BRACKET  
SCALE: 1 : 2

ITEM	AMDT.
PN823501	

No.	ISSUE	DATE	DRAWN	CHECKED	AUTHORISED
A	INITIAL ISSUE	15/06/2018	K. Patel	K. Danenbergsons	D. Eager

DAM	RES	SPS
BWS	WAT	STP
WTP	SEW	
WPS	REC	
ASSET AREA APPLICABILITY		

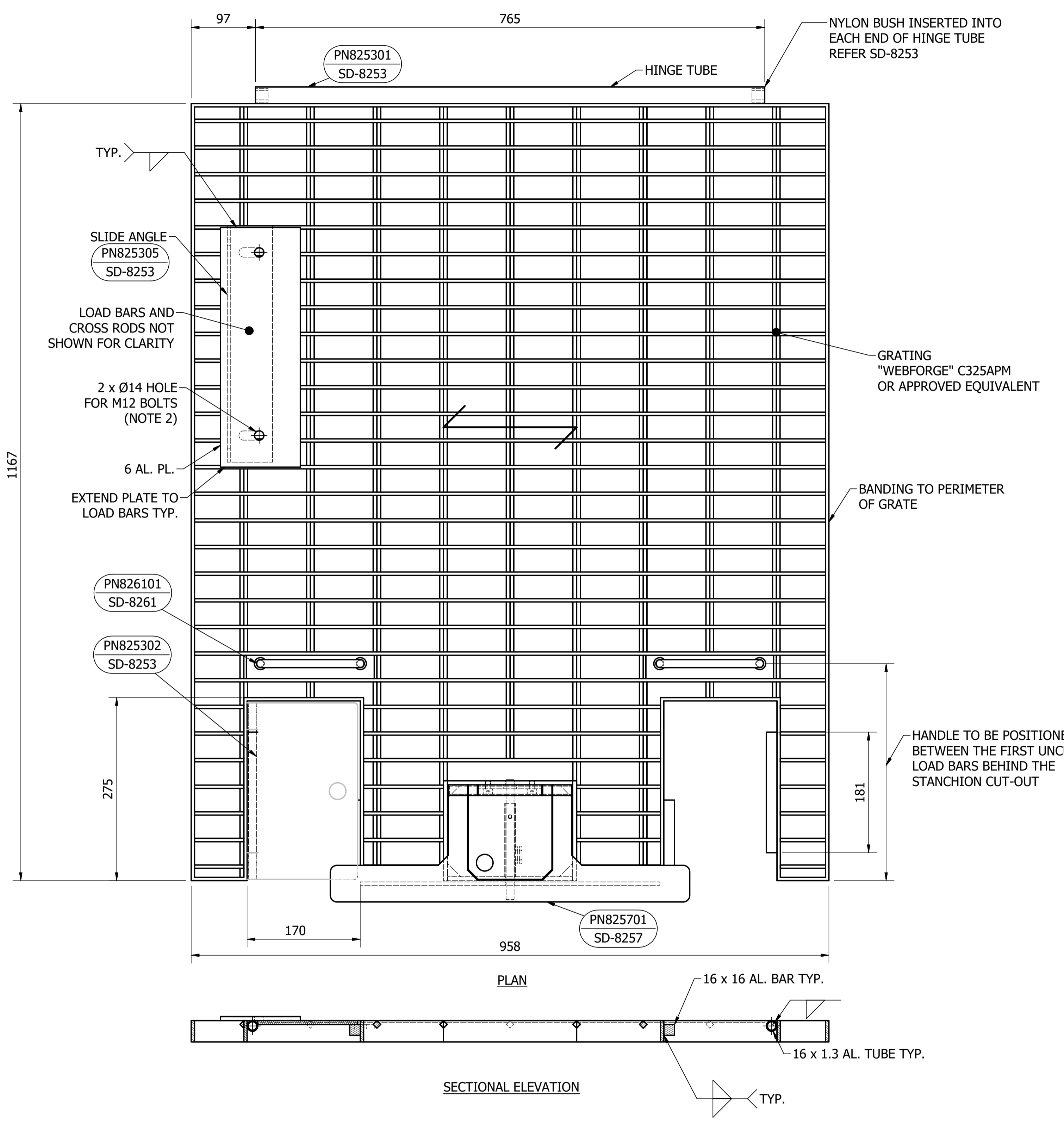


STANDARD DRAWING  
FLUSH FIT ACCESS COVERS - HDG AND ALUMINIUM  
HINGED FOR INCLINED RUNG AND STEP LADDERS  
FRAME DETAILS

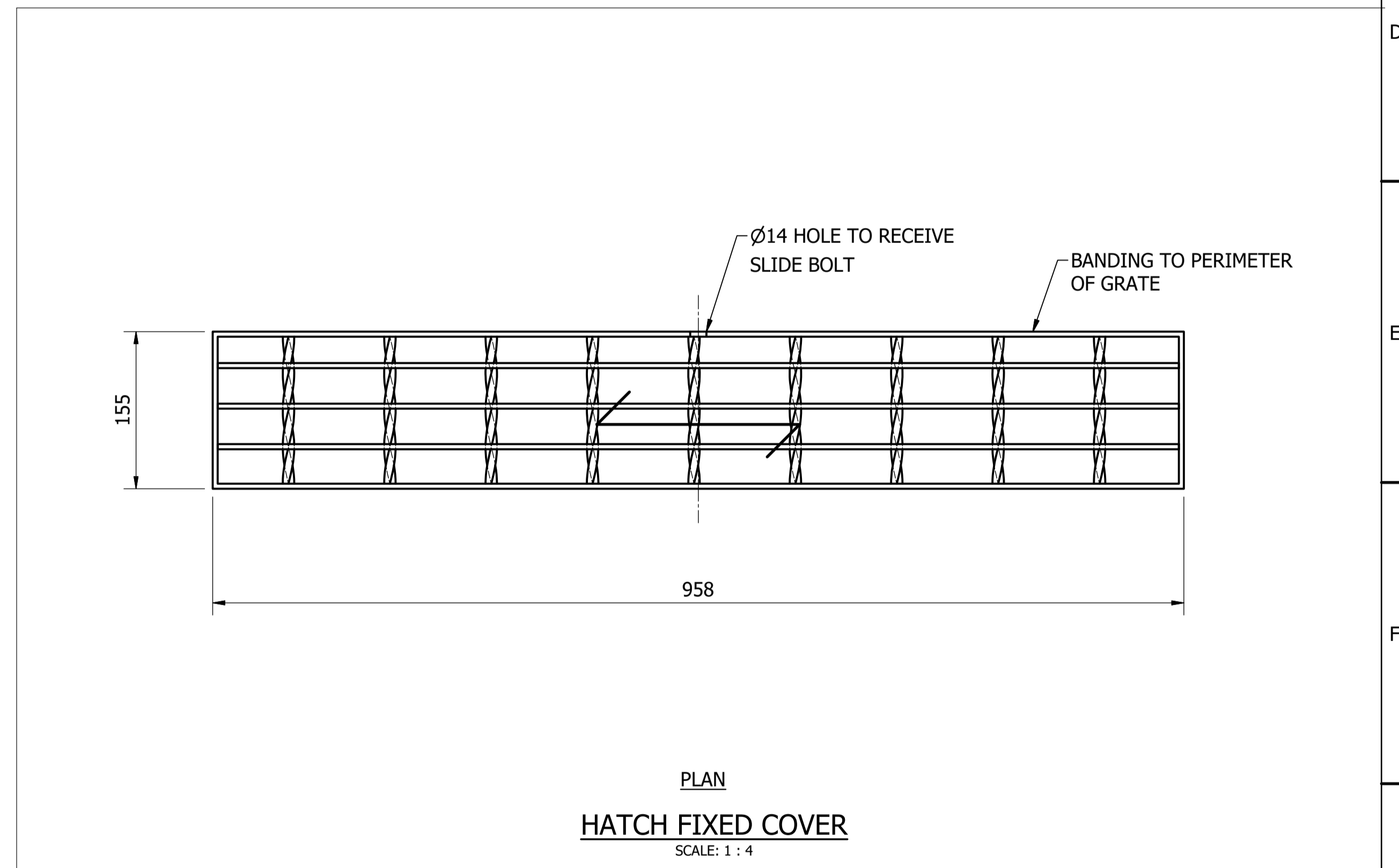
DRAWING STATUS	
Current	
SD-8235-D	
A1	ISSUE A
© Icon Water 2017	



- NOTES:**
- CARE TO BE TAKEN TO ALIGN GRATING LOAD BARS AND CROSS RODS AS TO NOT INTERFERE WITH THE LIFTING HANDLES.
  - HOLE PATTERN OF BOLT PLATE TO SUIT SLIDE ANGLE OF THE HATCH STAY ASSEMBLY.
  - PROVIDE A MINIMUM EDGE CLEARANCE OF 2 x BOLT DIAMETER FOR SLIDE ANGLE BOLT HOLES.



**DETAIL - SLIDE ANGLE POSITION**  
SCALE: 1 : 2



**PLAN HATCH FIXED COVER**  
SCALE: 1 : 4

MATERIAL: CARBON STEEL  
COATING: HOT DIP GALVANISED  
FINISH COLOUR: N/A  
MASS: 10 kg

**HATCH COVER**  
SCALE: 1 : 4  
MATERIAL: ALUMINIUM  
COATING: N/A  
FINISH COLOUR: N/A  
MASS: 21 kg

ITEM	AMDT.
PN823601	

ITEM	AMDT.
PN823602	

DAM	RES	SPS
BWS	WAT	STP
WTP	SEW	
WPS	REC	



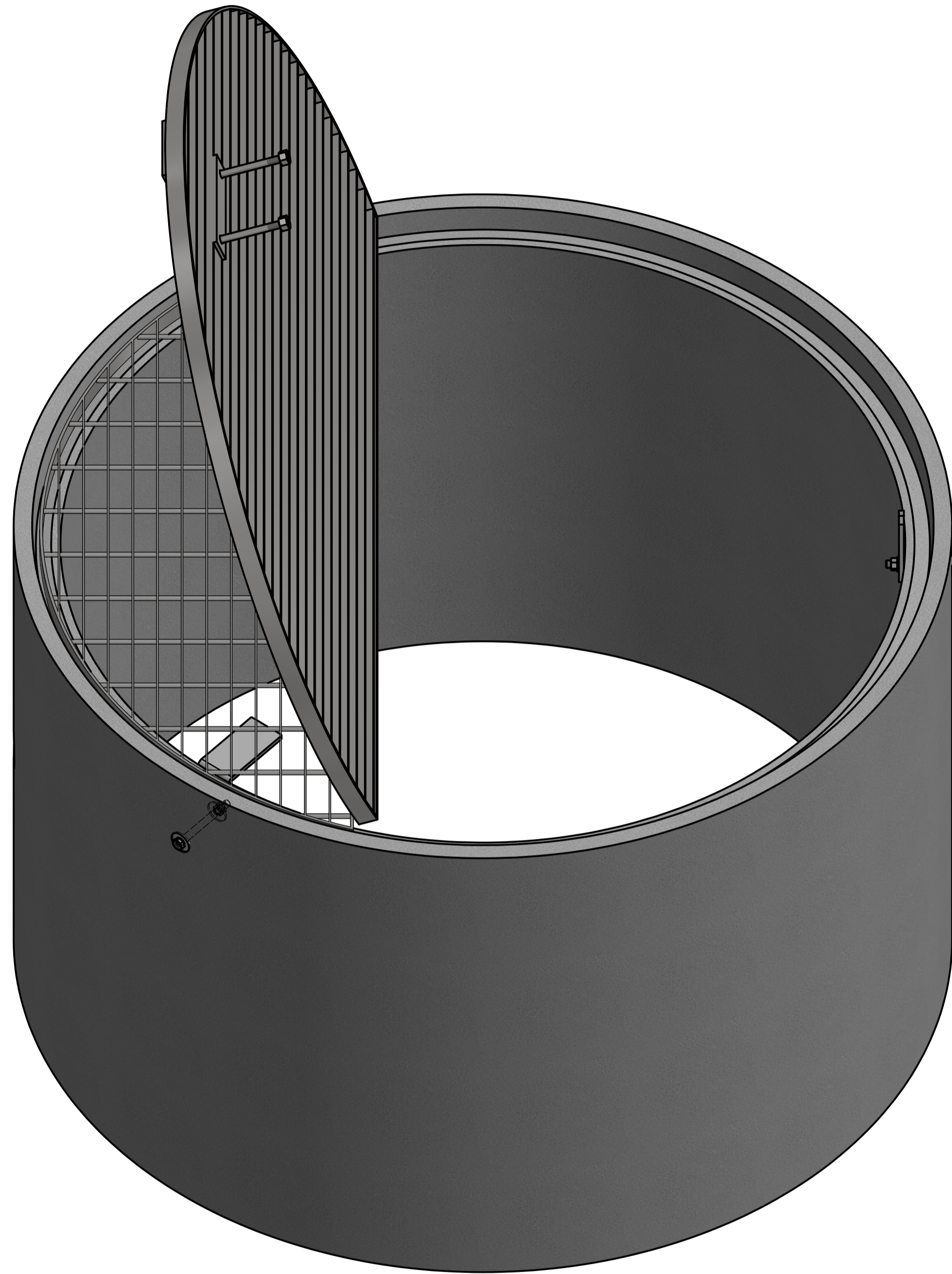
STANDARD DRAWING  
FLUSH FIT ACCESS COVERS - HDG AND ALUMINIUM  
HINGED FOR INCLINED RUNG AND STEP LADDERS  
COVER DETAILS

DRAWING STATUS	
Current	
SD-8236-D	
A1	ISSUE A

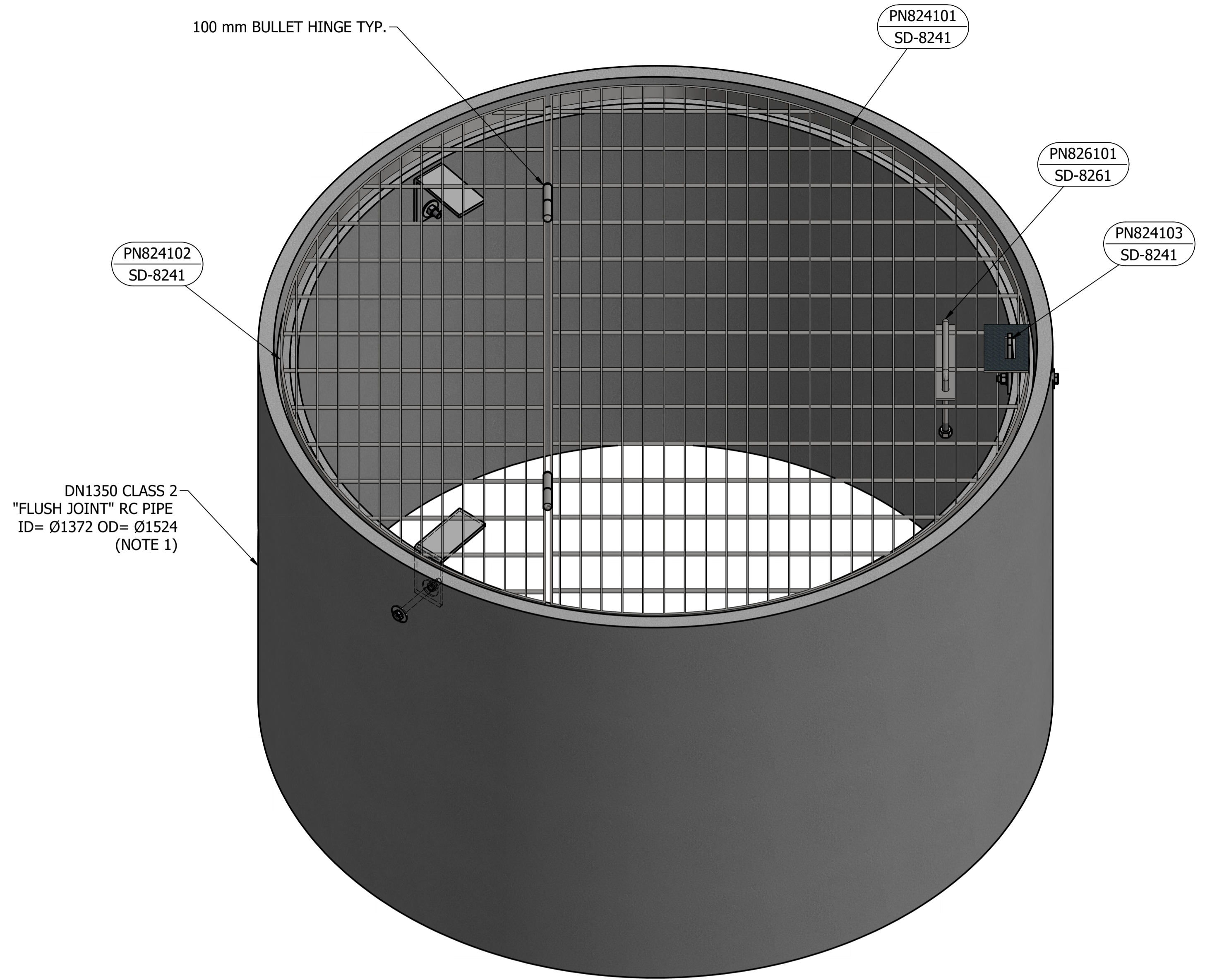
No.	ISSUE	DATE	DRAWN	CHECKED	AUTHORISED
A	INITIAL ISSUE	15/06/2018	K. Patel	K. Danenbergsons	D. Eager

**NOTES:**

1. THE DESIGNER IS TO SHOW THE LENGTH OF RC PIPE ON PROJECT SPECIFIC DRAWINGS. FOR EXAMPLE, THE DESIGNER IS TO USE THE DETAILS DEPICTED ON SD-3210 OR SD-4115 (AS APPROPRIATE) FOR THE BASIS OF SUCH A PROJECT SPECIFIC DRAWING.



**OPEN POSITION**



**CLOSED POSITION**

PARTS LIST				
PART NUMBER	DESCRIPTION	QTY	MASS	REFERENCE
PN824101	COVER PANEL 1	1	30 kg	SD-8241
PN824102	COVER PANEL 2	1	15 kg	SD-8241
PN824103	LOCKING TAB	1	2 kg	SD-8241
PN824104	KEEPER BRACKET	2	2 kg	SD-8241
PN826101	LIFTING HANDLE	1	0.5 kg	SD-8261
N/A	100 mm BULLET HINGE	2	0.5 kg	N/A

ITEM	AMDT.
PN824001	

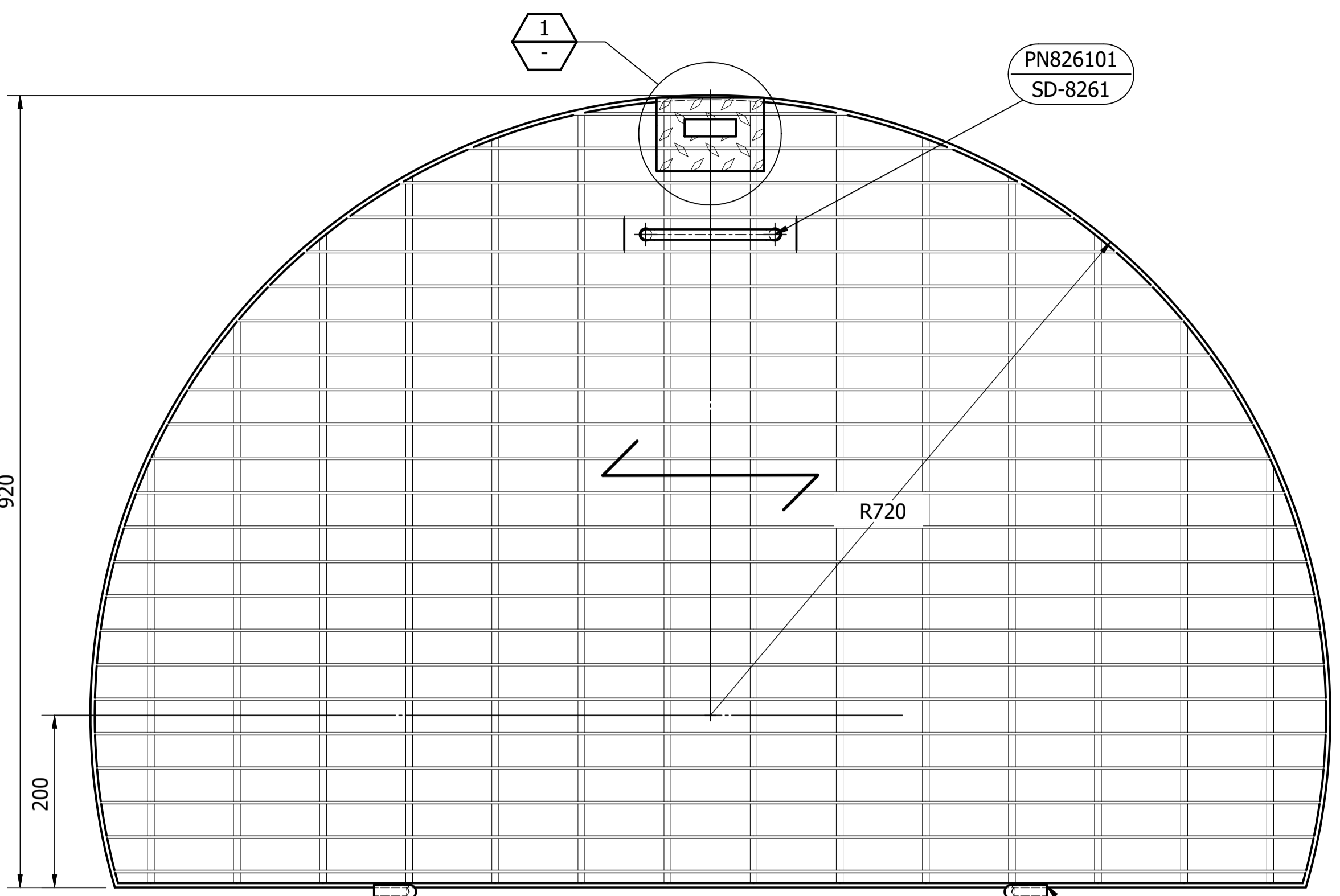
No.	ISSUE	DATE	DRAWN	CHECKED	AUTHORISED
A	INITIAL ISSUE	17/09/2018	S. Essery	K. Danenbergson	C. Patrick

ASSET AREA APPLICABILITY					
DAM	<input checked="" type="checkbox"/>	RES	<input checked="" type="checkbox"/>	SPS	<input checked="" type="checkbox"/>
BWS	<input checked="" type="checkbox"/>	WAT	<input checked="" type="checkbox"/>	STP	<input checked="" type="checkbox"/>
WTP	<input checked="" type="checkbox"/>	SEW	<input checked="" type="checkbox"/>		
WPS	<input type="checkbox"/>	REC	<input type="checkbox"/>		



STANDARD DRAWING  
ROUND VALVE CHAMBER COVER  
ARRANGEMENT

DRAWING STATUS	
Current	
<b>SD-8240-D</b>	
A1	ISSUE A



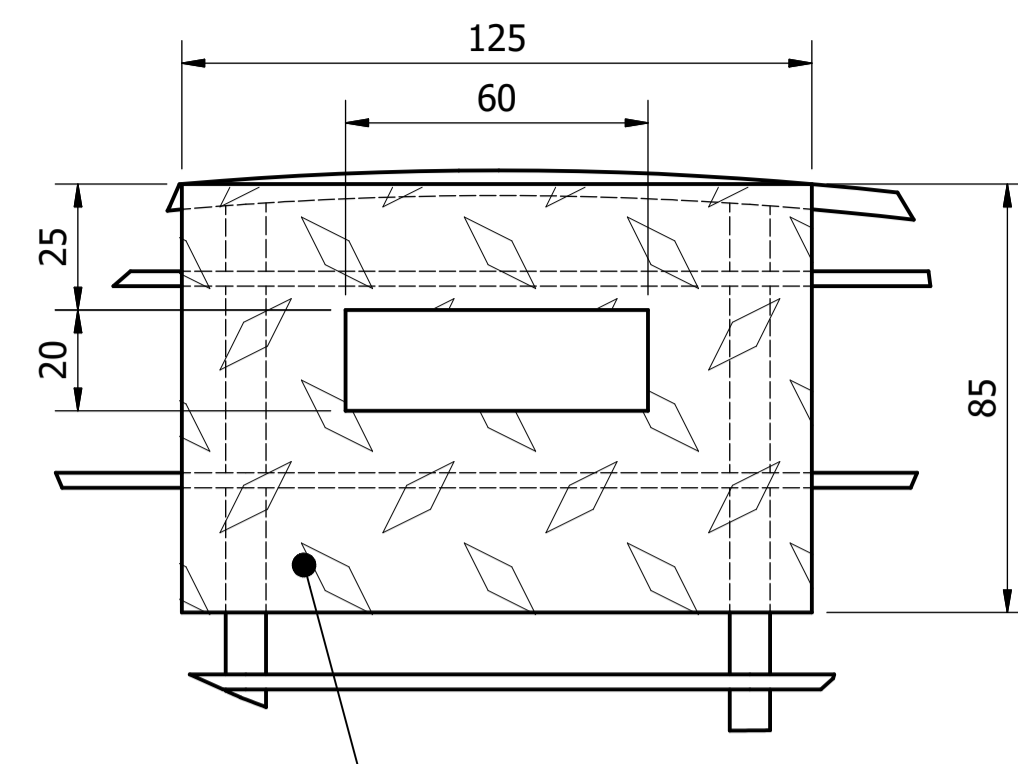
100 mm BULLET HINGE TYP.

PLAN

**COVER PANEL 1**

MATERIAL: GMS WEBFORGE C323 MPG BANDED ALL ROUND  
MASS: 30 kg

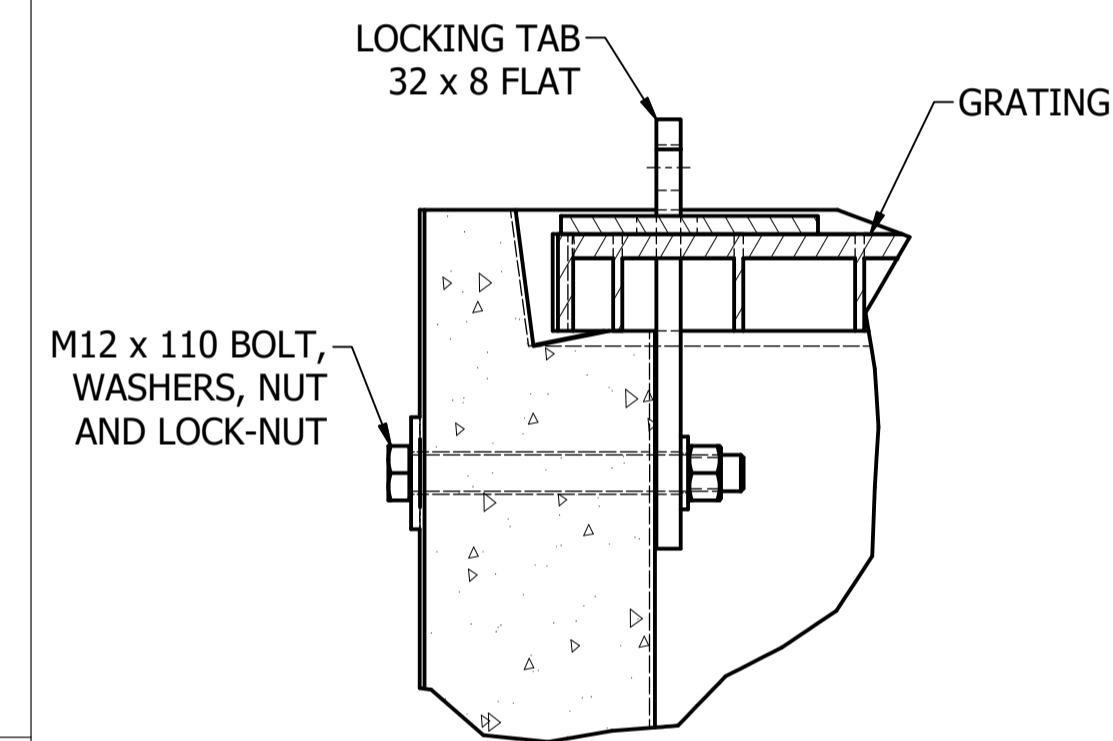
ITEM	AMDT.
PN824101	



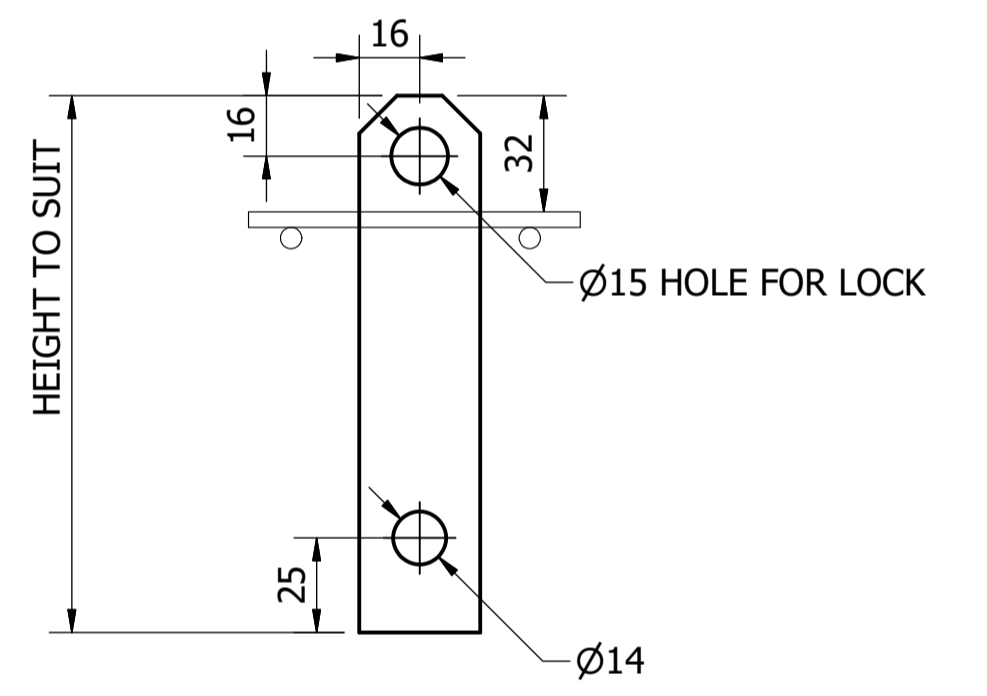
DETAIL 1  
**LOCKING PLATE**  
SCALE: 1 : 2

**NOTES:**

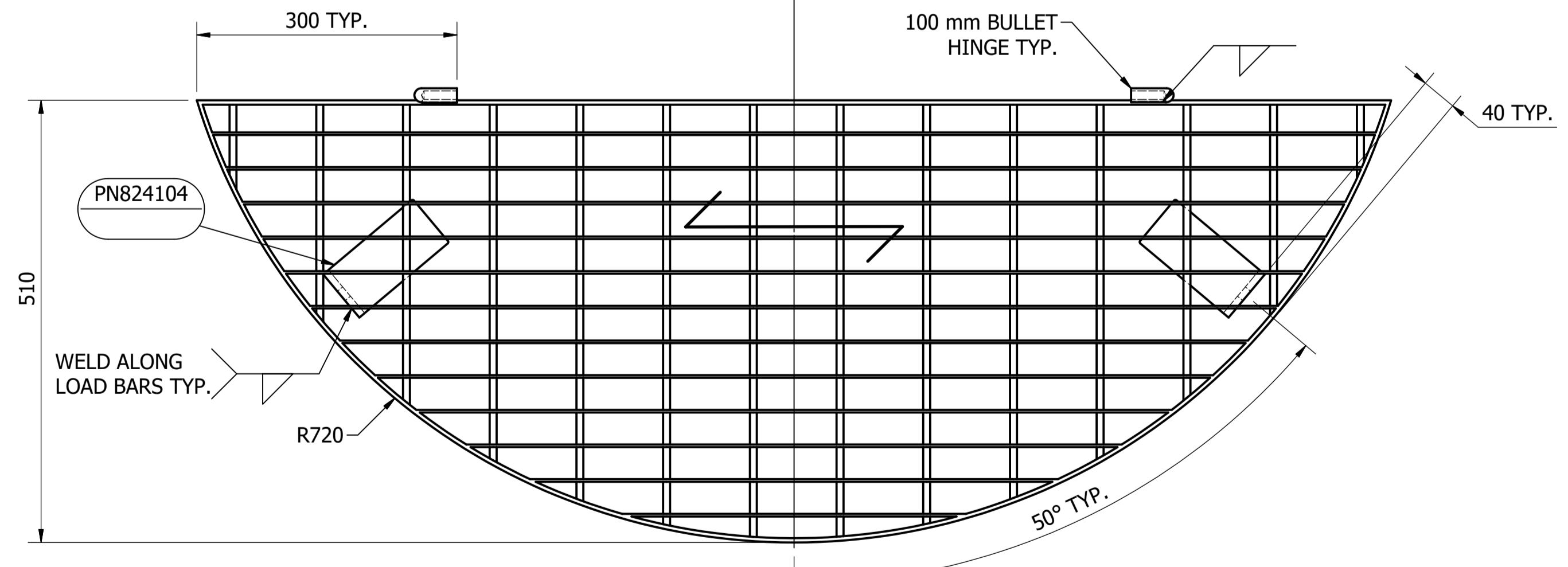
- COVER PANELS HAVE BEEN DESIGNED TO BE LESS THAN 32 kg EACH AND CAPABLE OF SUPPORTING A 2.5 kPa UDL WITH A MAX. MIDSPAN DEFLECTION OF 5.0 mm.
- ALL ITEMS EXCEPT HINGES ARE TO BE HOT DIP GALVANISED AFTER FABRICATION. HINGES ARE TO BE "COLD GALVANISED" IN ACCORDANCE WITH WSA-201 AFTER INSTALLATION ON SITE.



FIXING DETAIL



FRONT VIEW



100 mm BULLET HINGE TYP.

PLAN

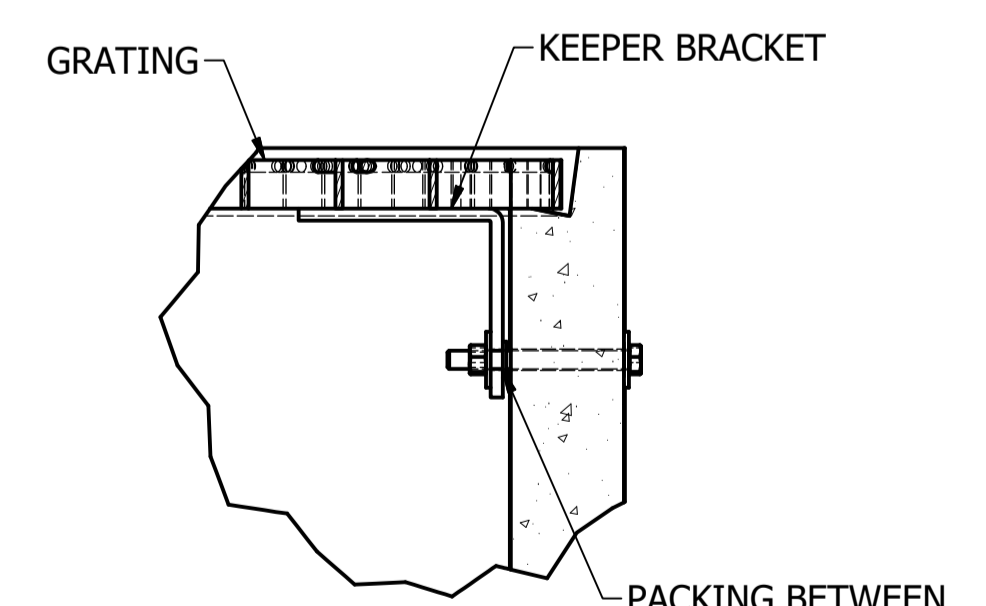
**COVER PANEL 2**

MATERIAL: AS PER PANEL 1  
MASS: 15 kg

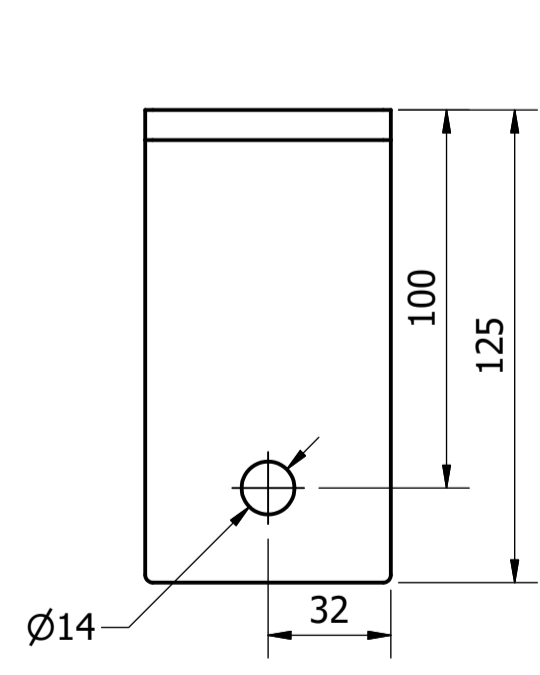
ITEM	AMDT.
PN824102	

ITEM	AMDT.
PN824103	

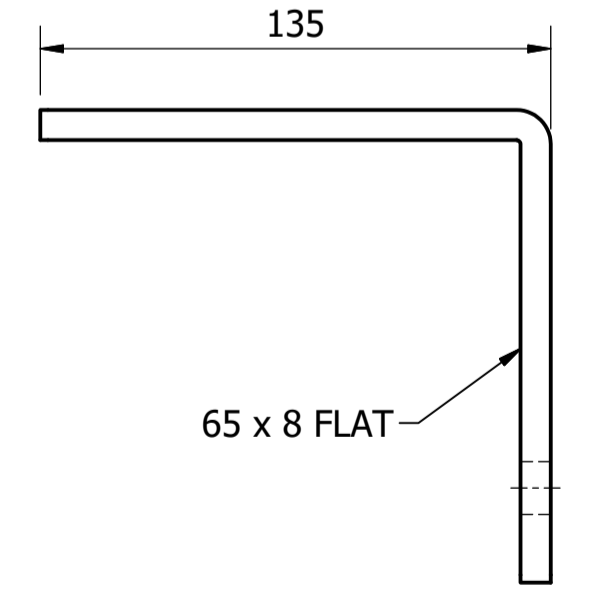
**LOCKING TAB**



FIXING DETAIL



FRONT VIEW



SIDE VIEW

ITEM	AMDT.
PN824104	

**KEEPER BRACKET**

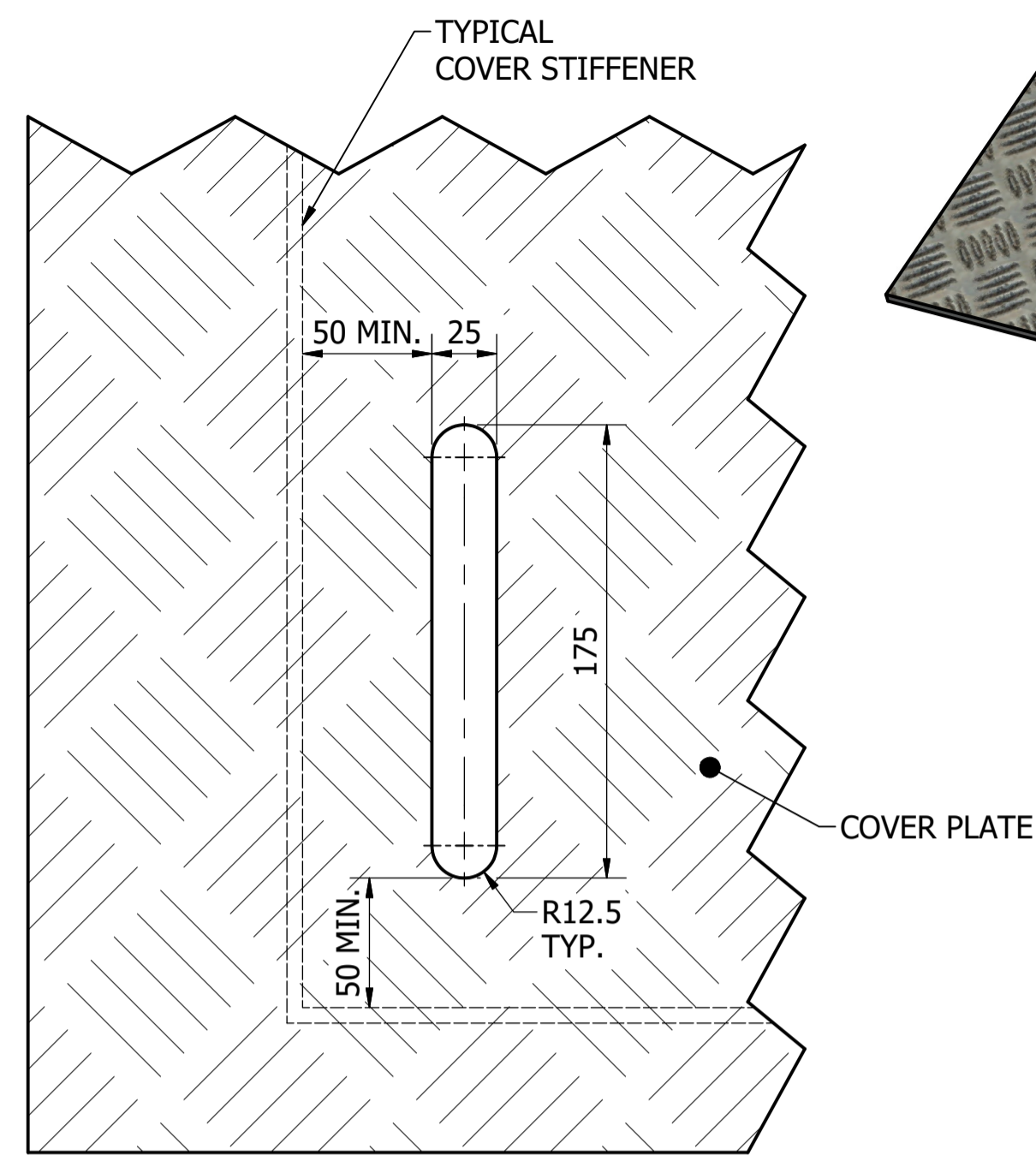
ASSET AREA APPLICABILITY				
DAM	RES	SPS		
WTP	WAT	STP		
WPS	REC			



STANDARD DRAWING  
ACCESS COVERS  
RURAL/SEMI-RURAL ROUND VALVE CHAMBERS  
COVER DETAILS

DRAWING STATUS  
**Current**  
**SD-8241-D**  
© Icon Water 2017

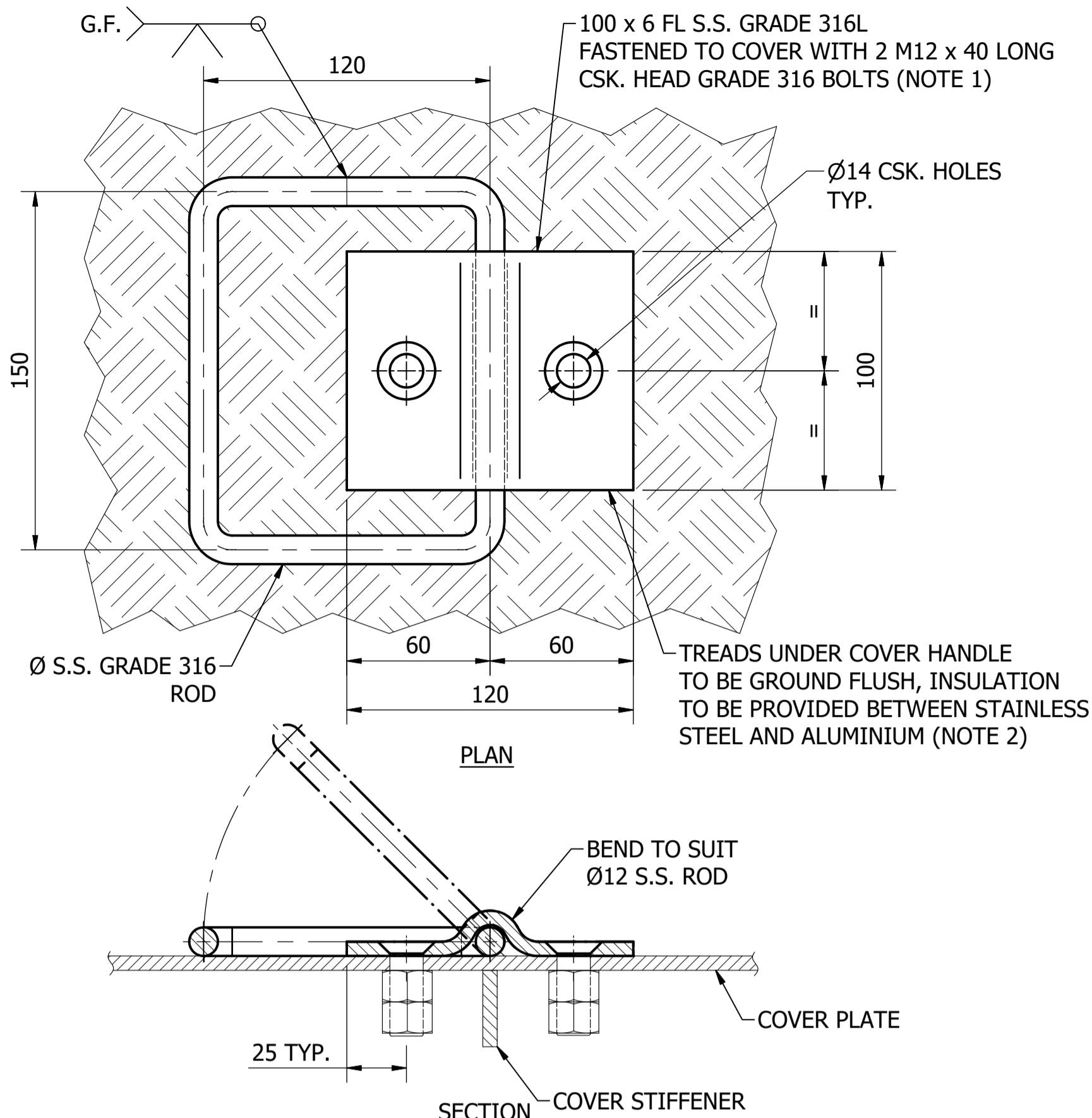
No.	ISSUE	DATE	DRAWN	CHECKED	AUTHORISED
A	INITIAL ISSUE	15/06/2018	M. Matusiak	K. Danenbergsons	D. Eager
B	DRAWING NAME & NUMBER, HINGE, AND KEEPER PLATE UPDATE	17/09/2018	S. Essery	K. Danenbergsons	C. Patrick



ISOMETRIC  
SCALE: N.T.S.

**HAND SLOT**  
FOR ACCESS HATCHES WITH A MASS OF  $\geq 10$  kg ONLY  
SCALE: 1 : 2.5

ITEM	AMDT.
PN825101	



**FOLD FLAT HANDLE**  
SCALE: 1:2  
MATERIAL: STAINLESS STEEL  
COATING: N/A  
FINISH COLOUR: N/A  
MASS: 1 kg

ITEM	AMDT.
PN825102	

**NOTES**

1. STAINLESS STEEL TO ALUMINIUM CONNECTIONS TO BE INSULATED WITH "DENSO" PRIMER D AND DENSOPOL 60 TAPE OR APPROVED EQUIVALENT.
2. ALL STAINLESS STEEL FIXTURES INTO ALUMINIUM TO BE SEPARATED WITH INSULATING BUSHES AND RETAINING RINGS OR WASHERS.

DAM	RES	SPS
BWS	WAT	STP
WTP	SEW	
WPS	REC	



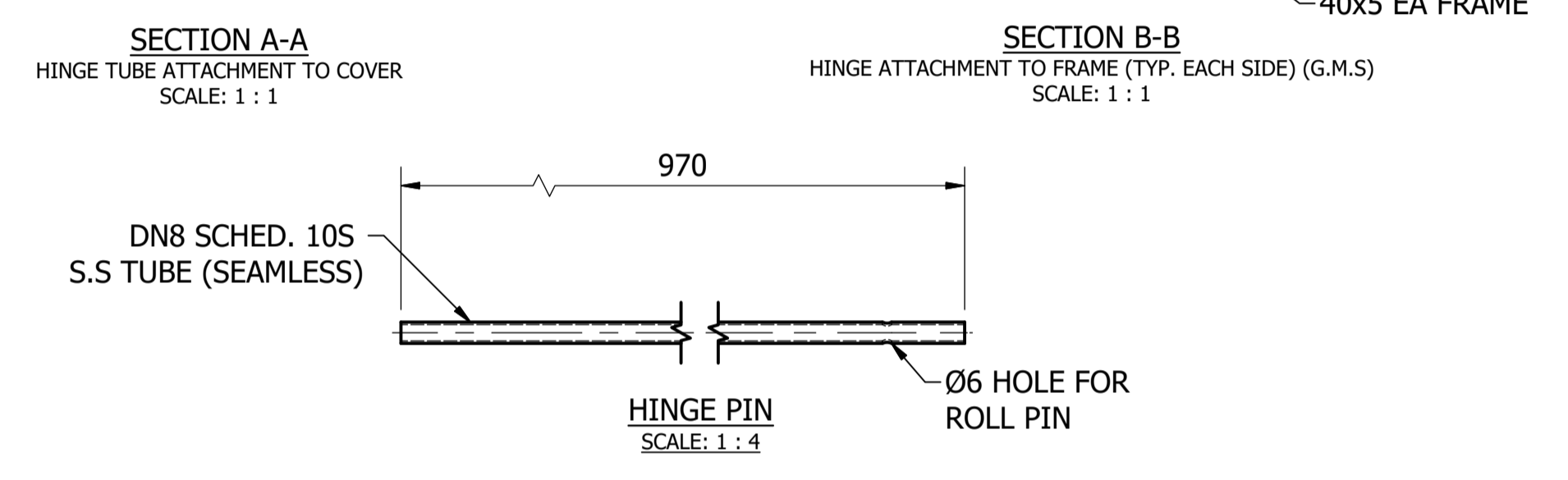
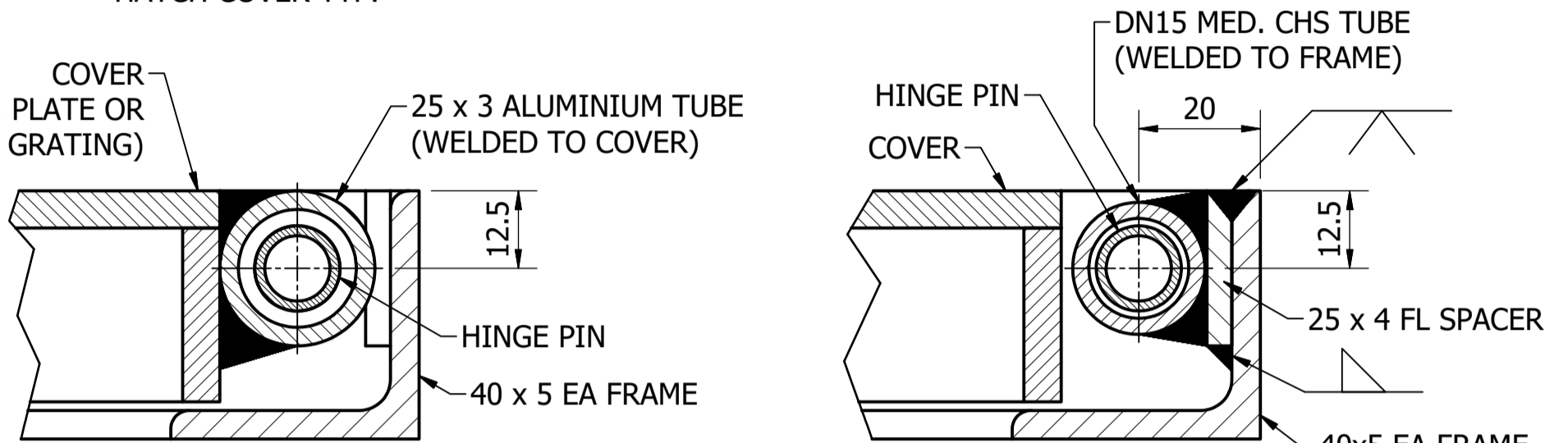
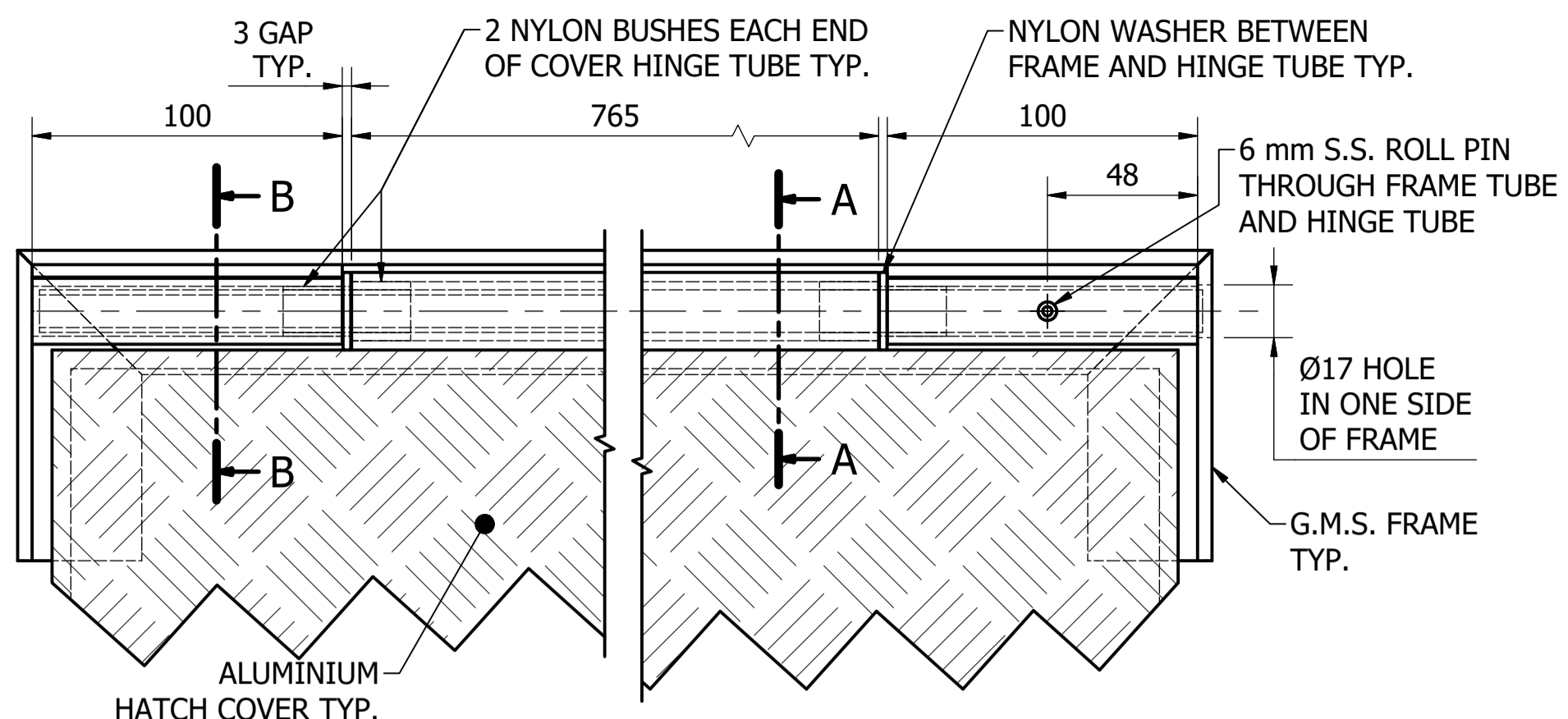
STANDARD DRAWING  
ACCESS COVERS - ALUMINIUM, HINGED  
HANDLE DETAILS

DRAWING STATUS	
Current	
SD-8251-D	
A1	ISSUE A

ICON WATER ACKNOWLEDGES SYDNEY WATER CORPORATION  
IN THE DEVELOPMENT OF PARTS OF THIS DRAWING

ASSET AREA APPLICABILITY

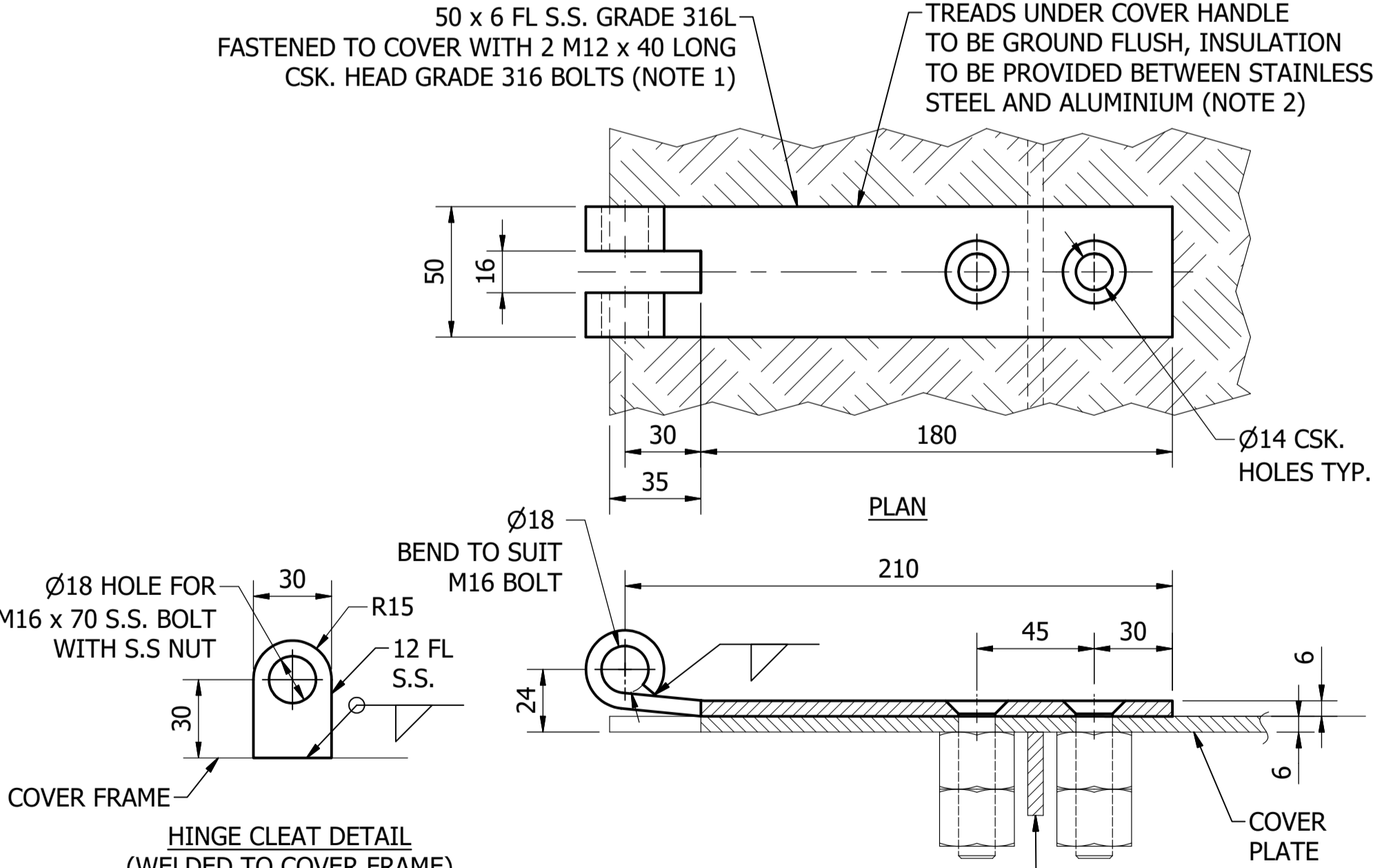
No.	ISSUE	DATE	DRAWN	CHECKED	AUTHORISED
A	INITIAL ISSUE	15/06/2018	M. Matusiak	K. Danenbergsons	D. Eager



**FLUSH FIT HINGE**  
SCALE: 1:2

MATERIAL: AS SHOWN  
COATING: N/A  
FINISH COLOUR: N/A  
MASS: N/A

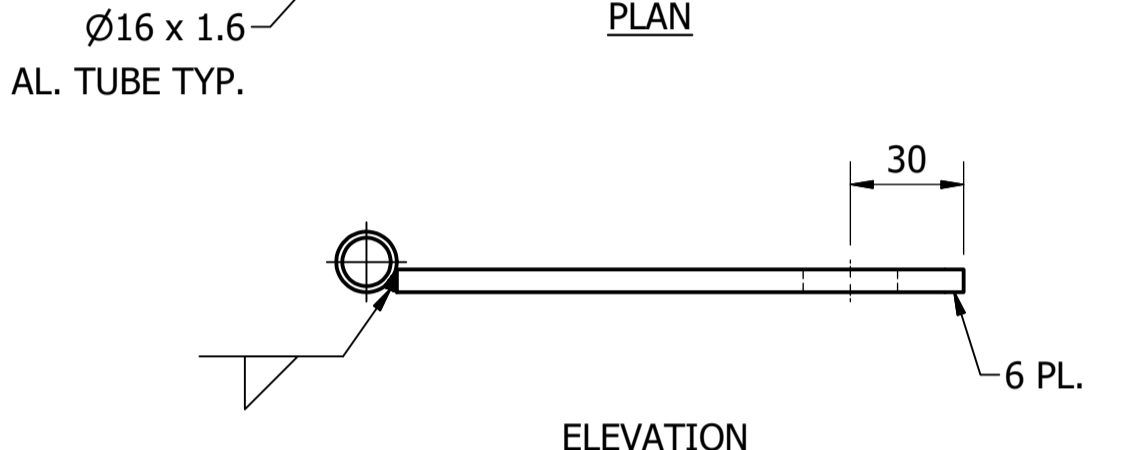
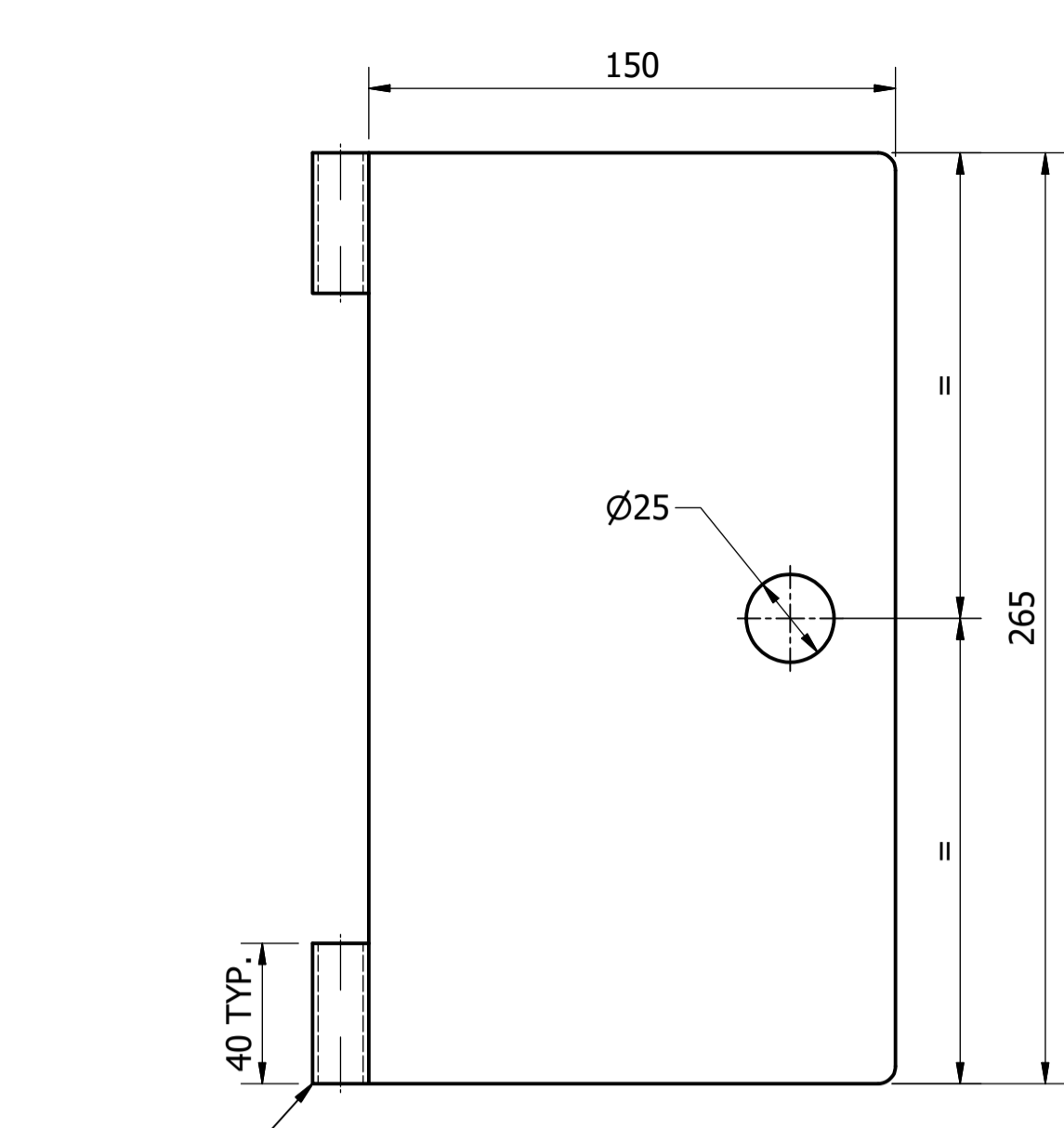
ITEM	AMDT.
PN825301	



**FOLD FLAT HINGE**  
SCALE: 1:2

MATERIAL: STAINLESS STEEL  
COATING: N/A  
FINISH COLOUR: N/A  
MASS: 1 kg

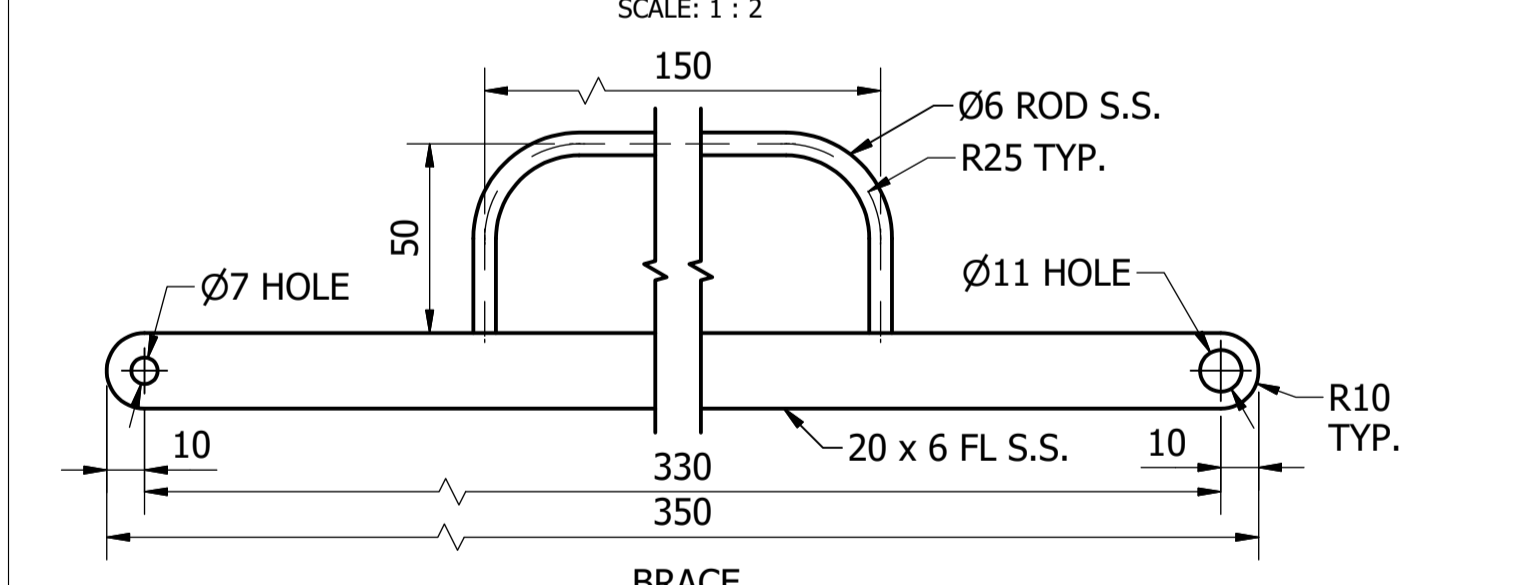
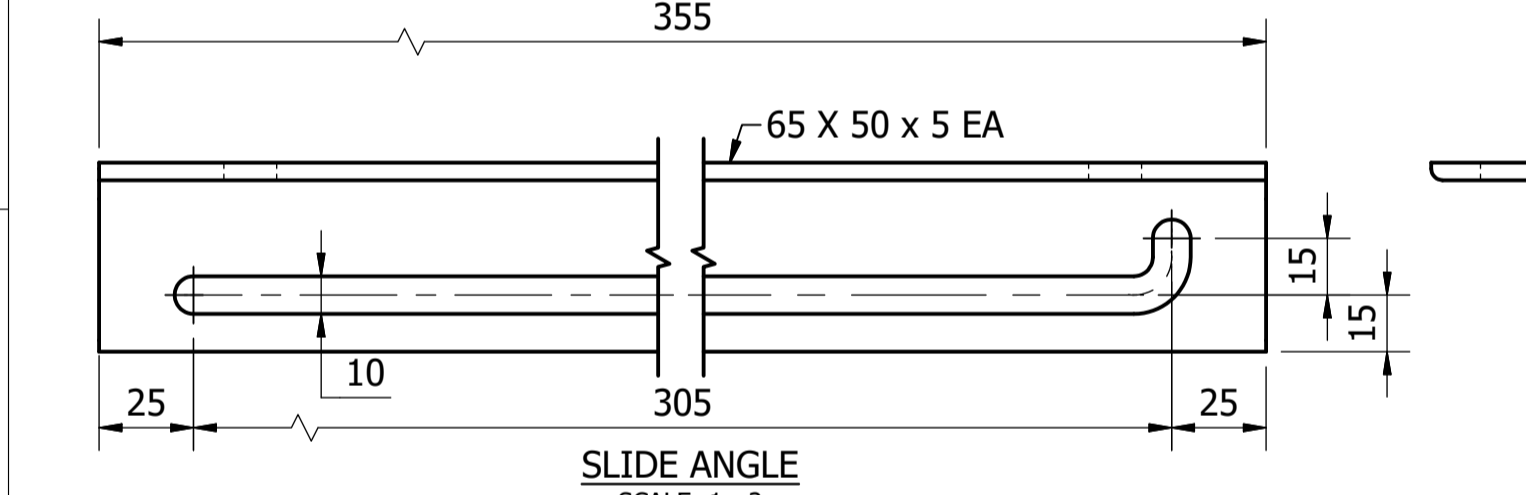
ITEM	AMDT.
PN825304	



**STANCHION ACCESS HATCH**  
SCALE: 1:2

MATERIAL: ALUMINIUM  
COATING: N/A  
FINISH COLOUR: N/A  
MASS: 1 kg

ITEM	AMDT.
PN825302	



**SLIDE PIN**  
SCALE: 1:1



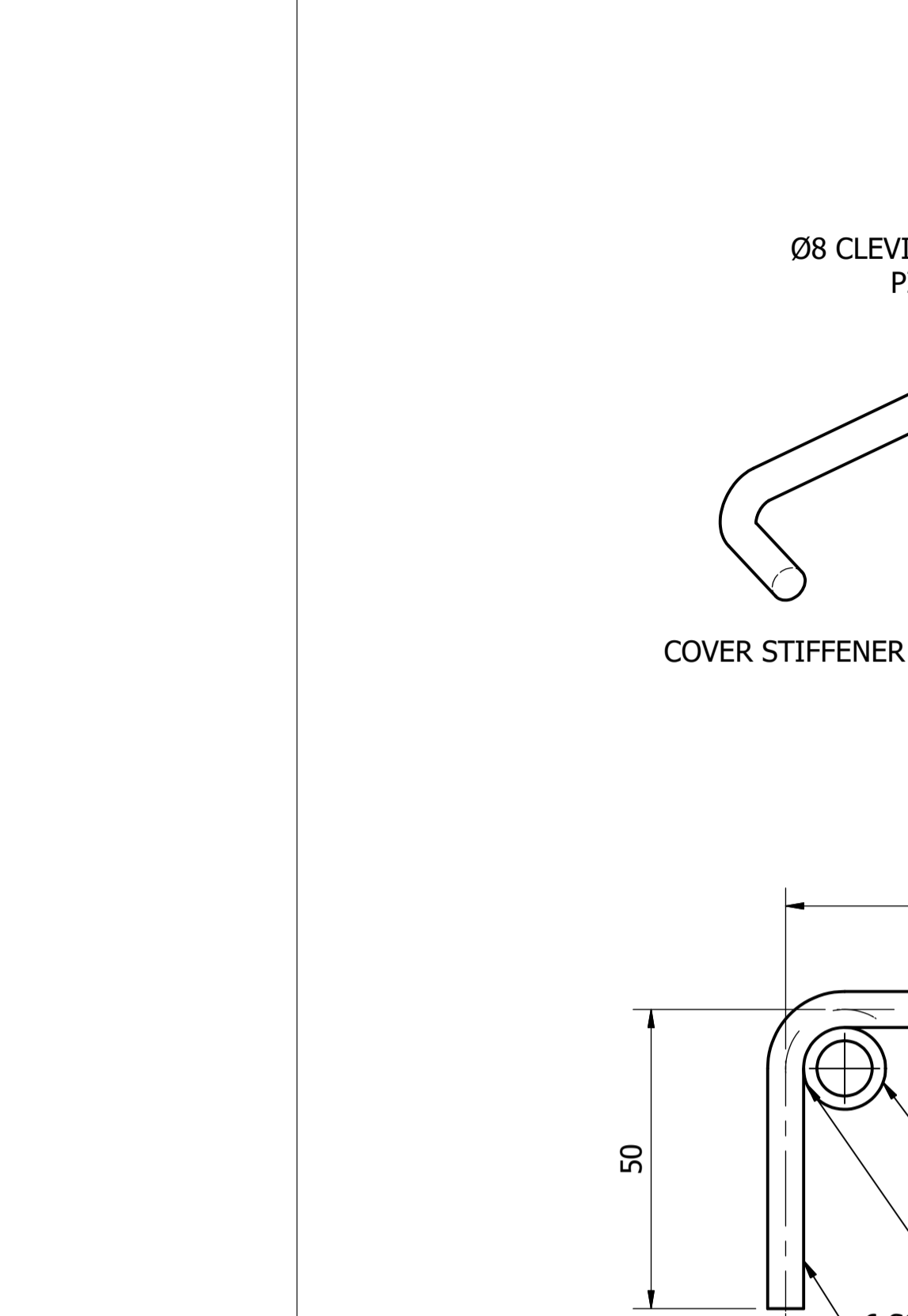
**SLIDE PIN**  
SCALE: 1:1

**HATCH STAY**

MATERIAL: STAINLESS STEEL  
COATING: N/A  
FINISH COLOUR: N/A  
MASS: 2 kg APPROX.

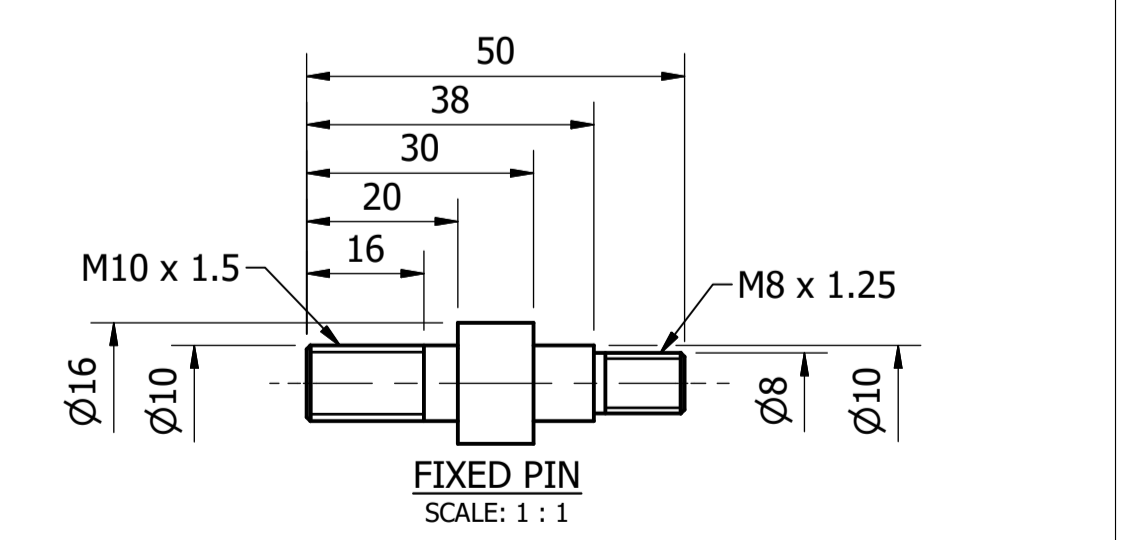
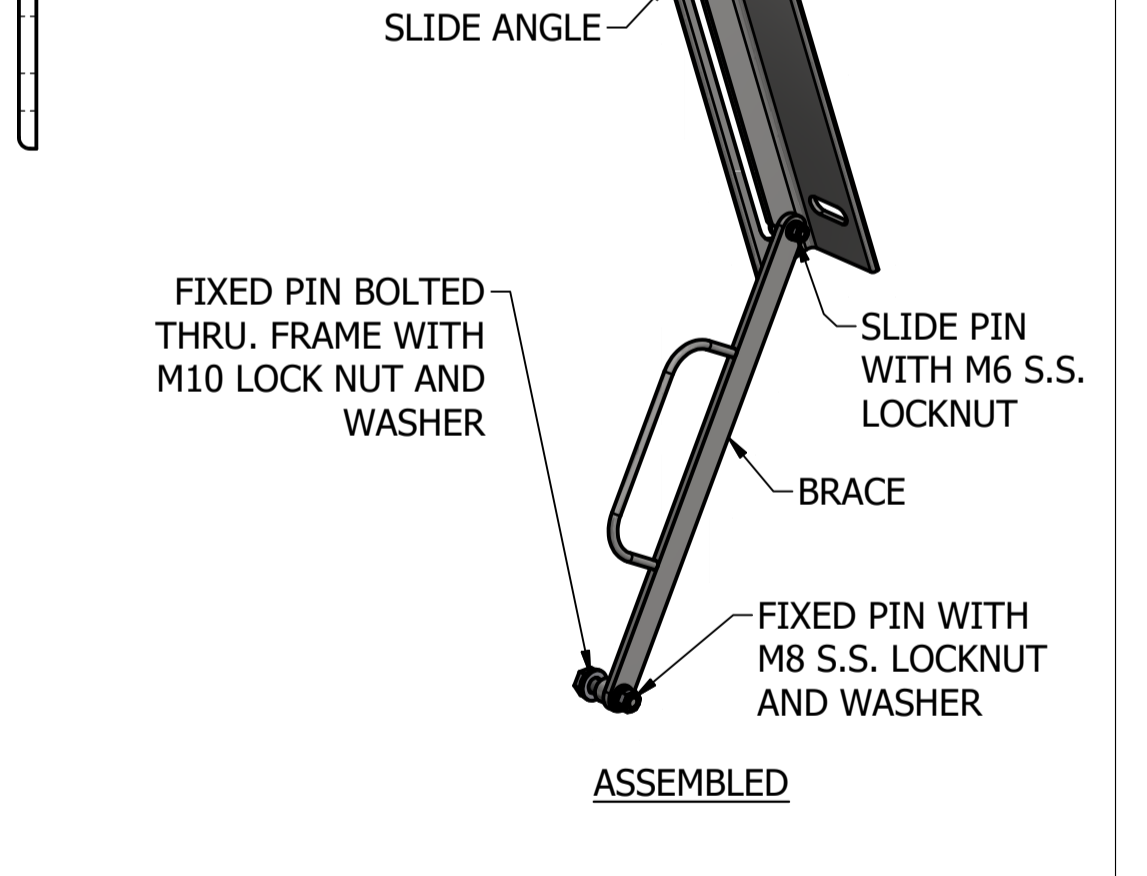
NOTES:  
1. HOLE PATTERN TO AVOID GRATING

ITEM	AMDT.
PN825305	

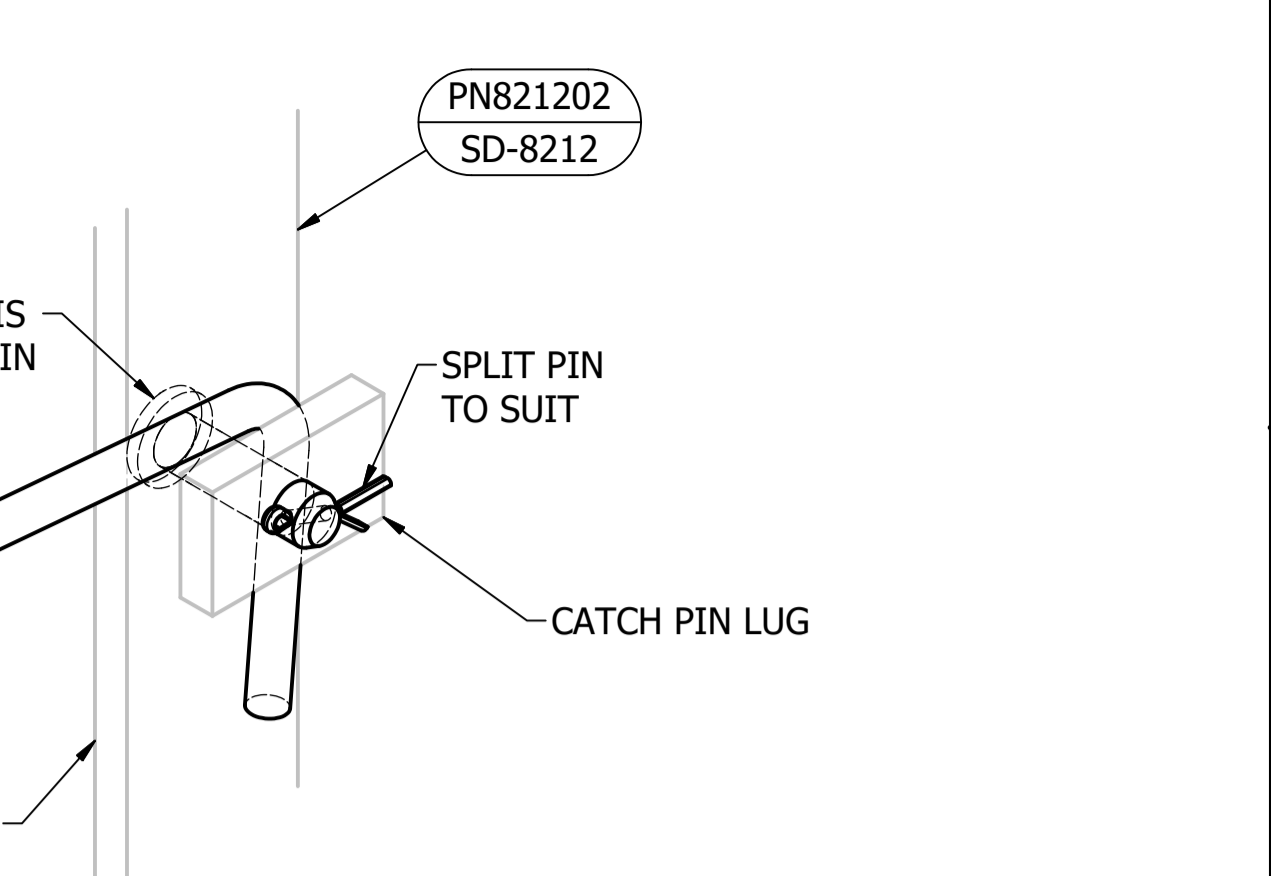


**CATCH PIN**  
SCALE: 1:1

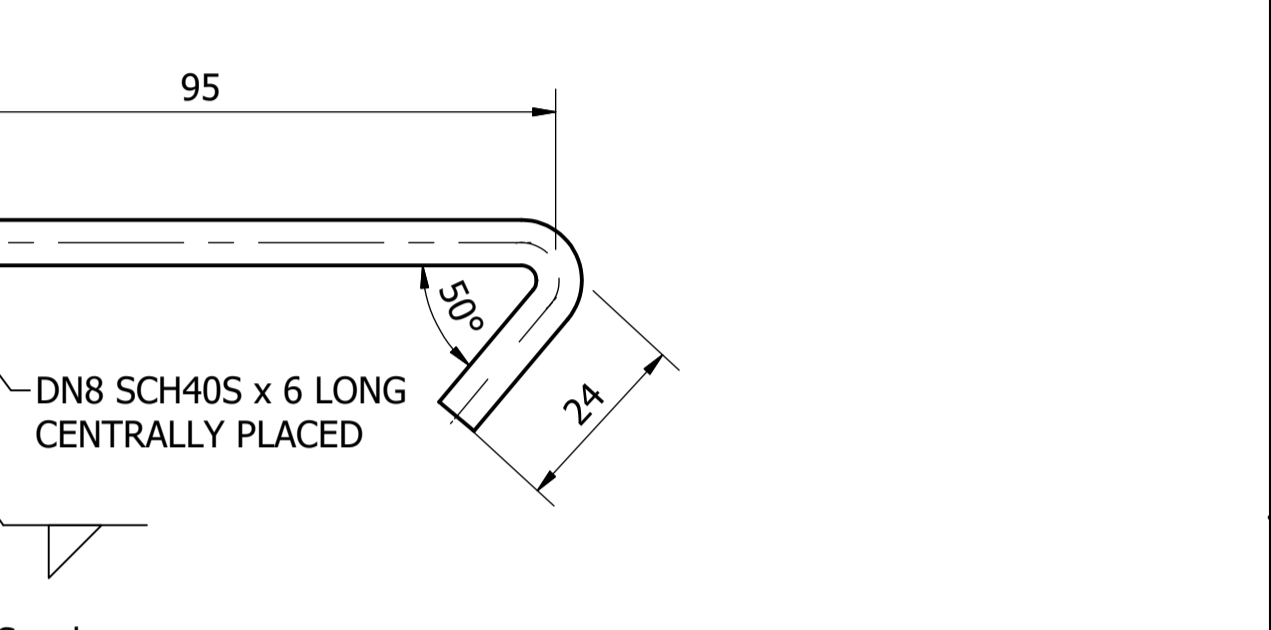
MATERIAL: STAINLESS STEEL  
COATING: N/A  
FINISH COLOUR: N/A  
MASS: <1 kg



**FIXED PIN**  
SCALE: 1:1



**INSTALLATION DETAILS**  
SCALE: N.T.S



**CATCH PIN**  
SCALE: 1:1

MATERIAL: STAINLESS STEEL  
COATING: N/A  
FINISH COLOUR: N/A  
MASS: <1 kg

ITEM	AMDT.
PN825303	

**NOTES**

1. STAINLESS STEEL TO ALUMINIUM CONNECTIONS TO BE INSULATED WITH "DENSO" PRIMER D AND DENSOPOL 60 TAPE OR APPROVED EQUIVALENT.
2. ALL STAINLESS STEEL FIXTURES INTO ALUMINIUM TO BE SEPARATED WITH INSULATING BUSHES AND RETAINING RINGS OR WASHERS.

DAM	RES	SPS
BWS	WAT	STP
WTP	SEW	
WPS	REC	



**STANDARD DRAWING**  
ACCESS COVERS - ALUMINIUM, HINGED  
HINGE AND STAY DETAILS

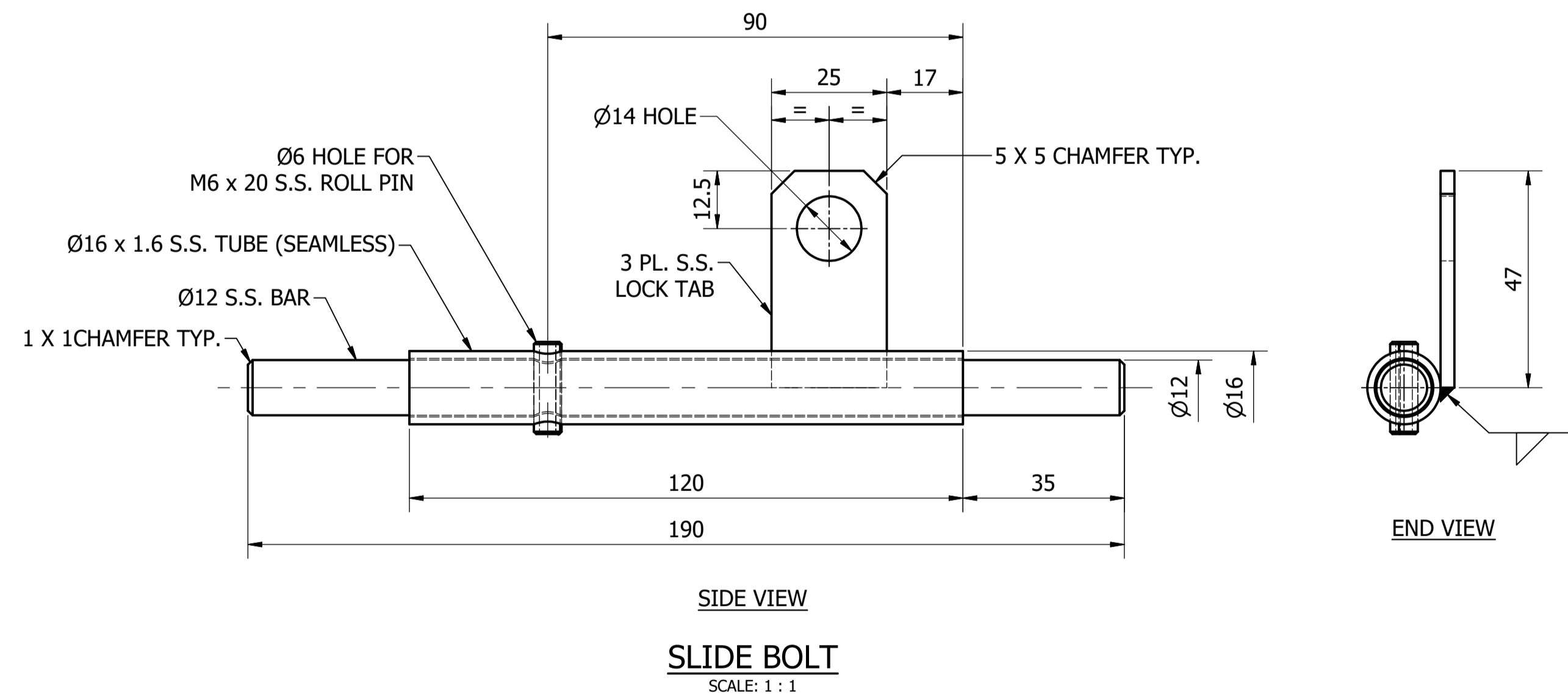
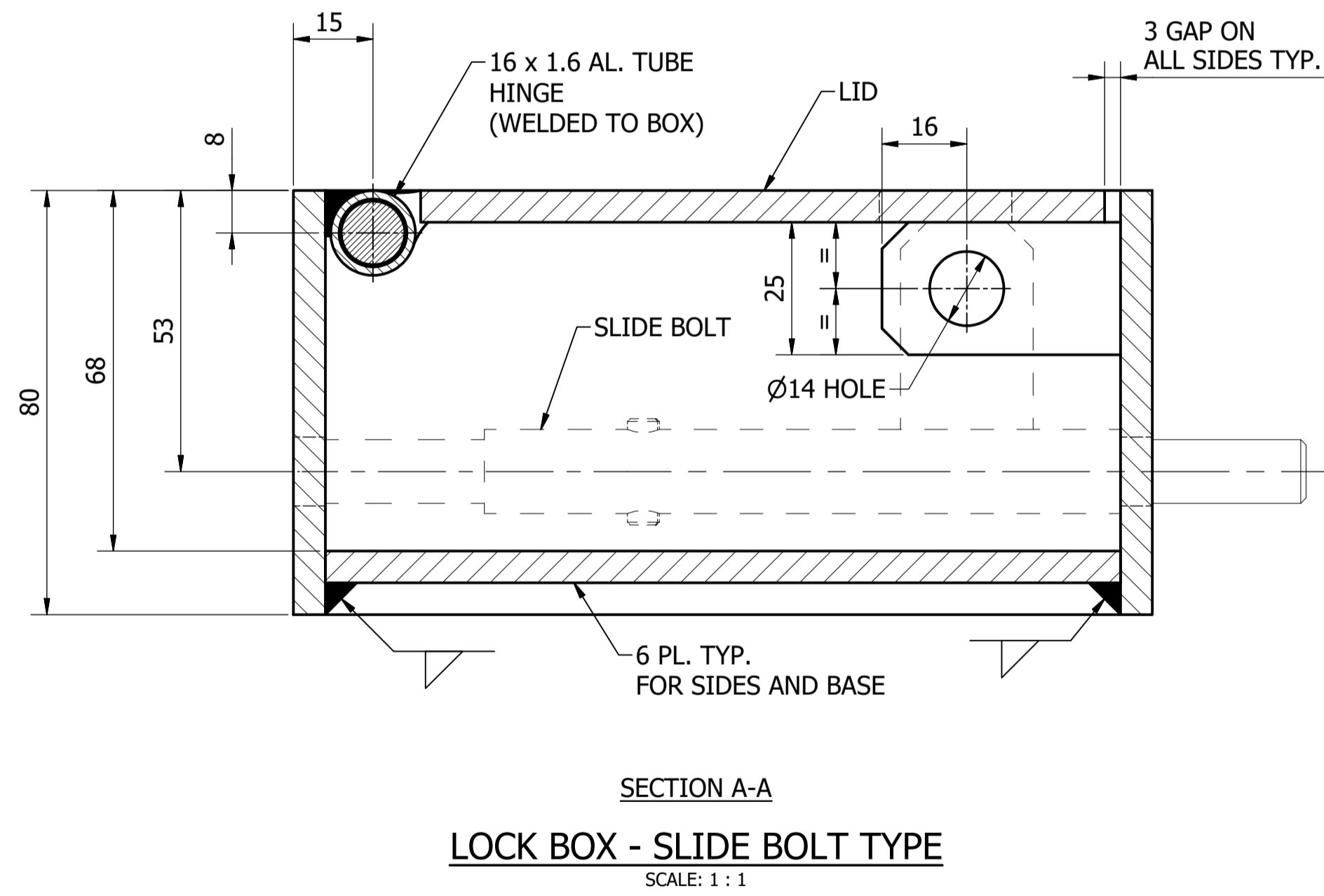
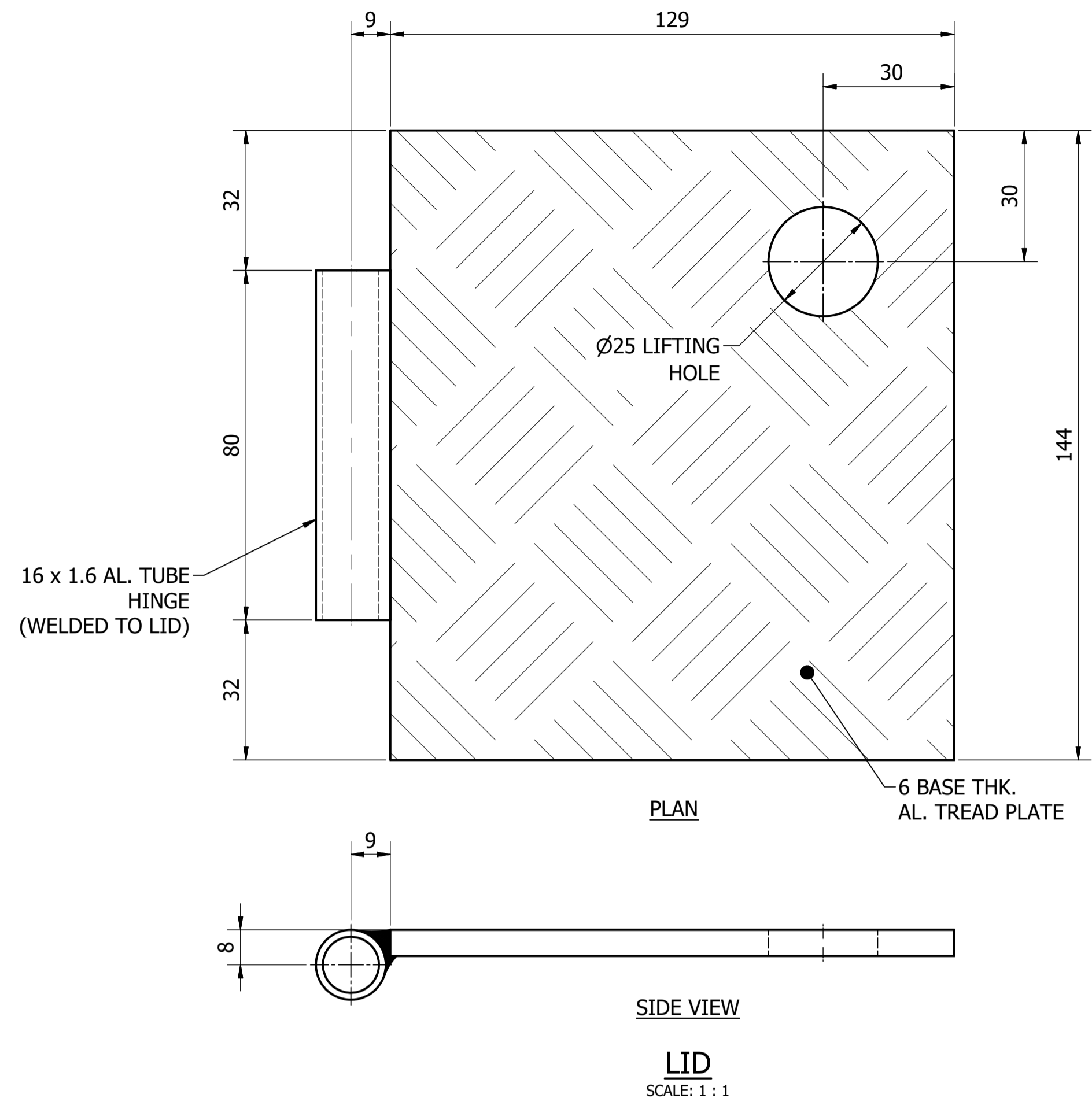
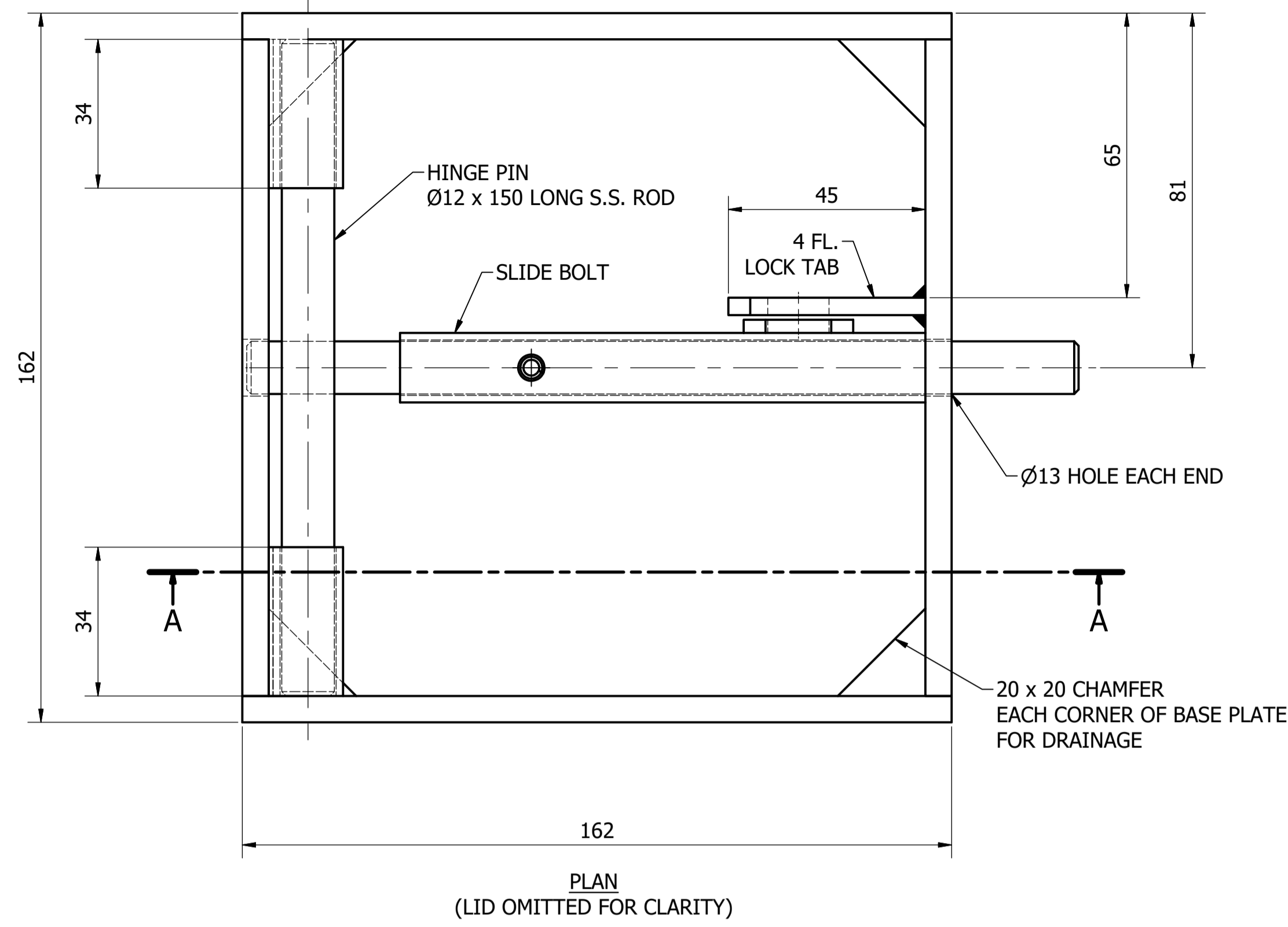
DRAWING STATUS	
Current	
SD-8253-D	
A1	ISSUE A

No.	ISSUE	DATE	DRAWN	CHECKED	AUTHORISED
A	INITIAL ISSUE	15/06/2018	M. Matusiak	K. Danenbergson	D. Eager

ICON WATER ACKNOWLEDGES SYDNEY WATER CORPORATION IN THE DEVELOPMENT OF PARTS OF THIS DRAWING

ASSET AREA APPLICABILITY

© Icon Water 2017



**NOTES:**

- FOR ALUMINIUM FABRICATION NOTES REFER TO DRAWING SD-9103.
- LID AND HINGE TO BE ASSEMBLED PRIOR TO WELDING TO LOCK BOX.

MATERIAL: ALUMINIUM (U.N.O.)  
 COATING: N/A  
 FINISH COLOUR: N/A  
 MASS: 2 kg

ITEM	AMDT.
PN825501	

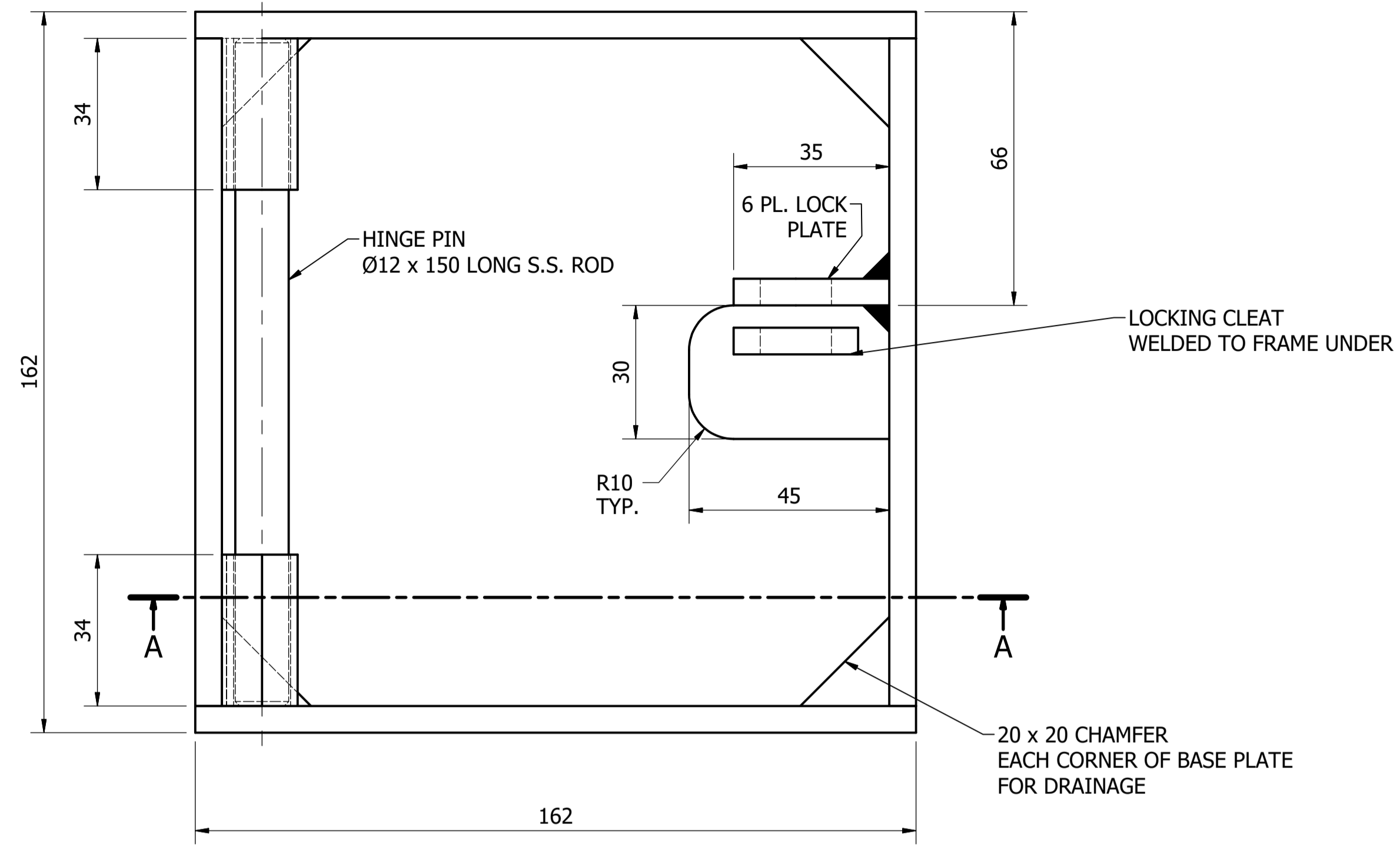
No.	ISSUE	DATE	DRAWN	CHECKED	AUTHORISED
A	INITIAL ISSUE	15/06/2018	M. Matuziak	K. Danenbergson	D. Eager

DAM	RES	SPS
BWS	WAT	STP
WTP	SEW	
WPS	REC	

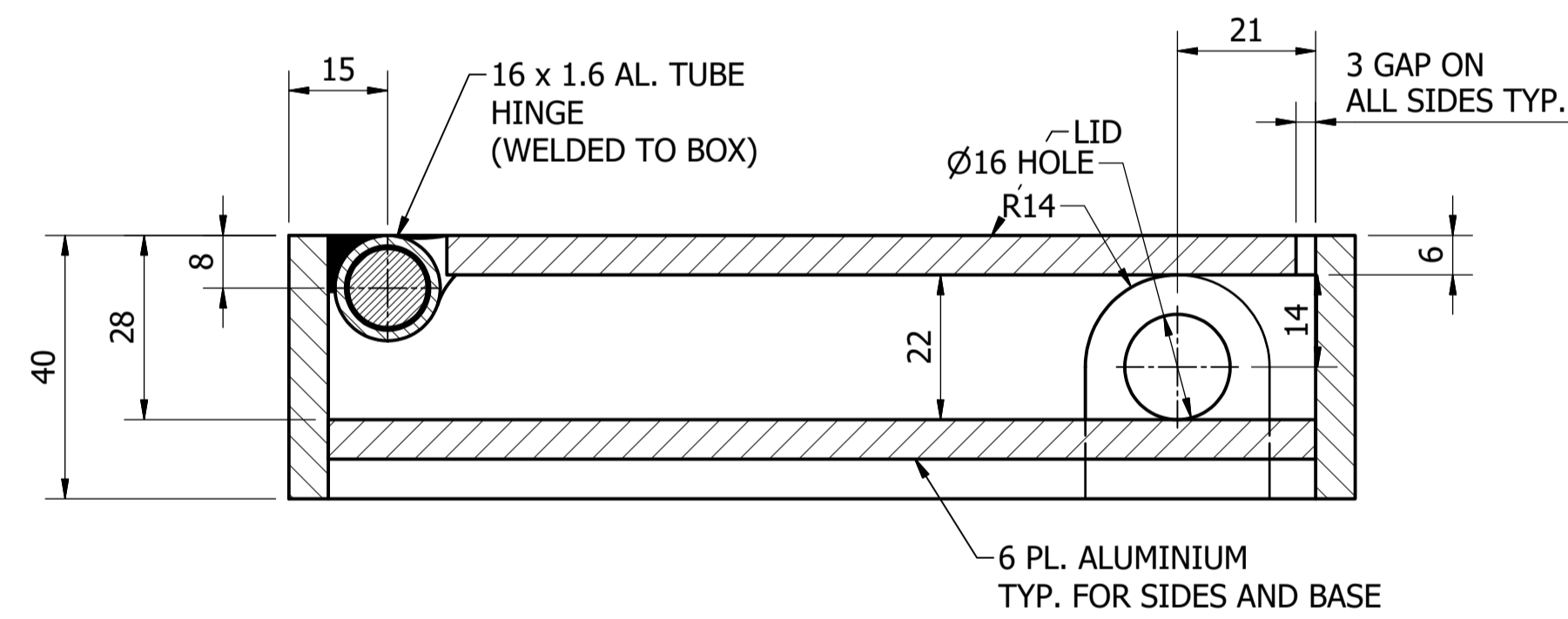


STANDARD DRAWING  
 ACCESS COVERS - ALUMINIUM, HINGED  
 LOCK BOX - SLIDE BOLT STYLE  
 DETAILS

DRAWING STATUS	
Current	
SD-8255-D	
A1	ISSUE A



PLAN  
(LID OMITTED FOR CLARITY)

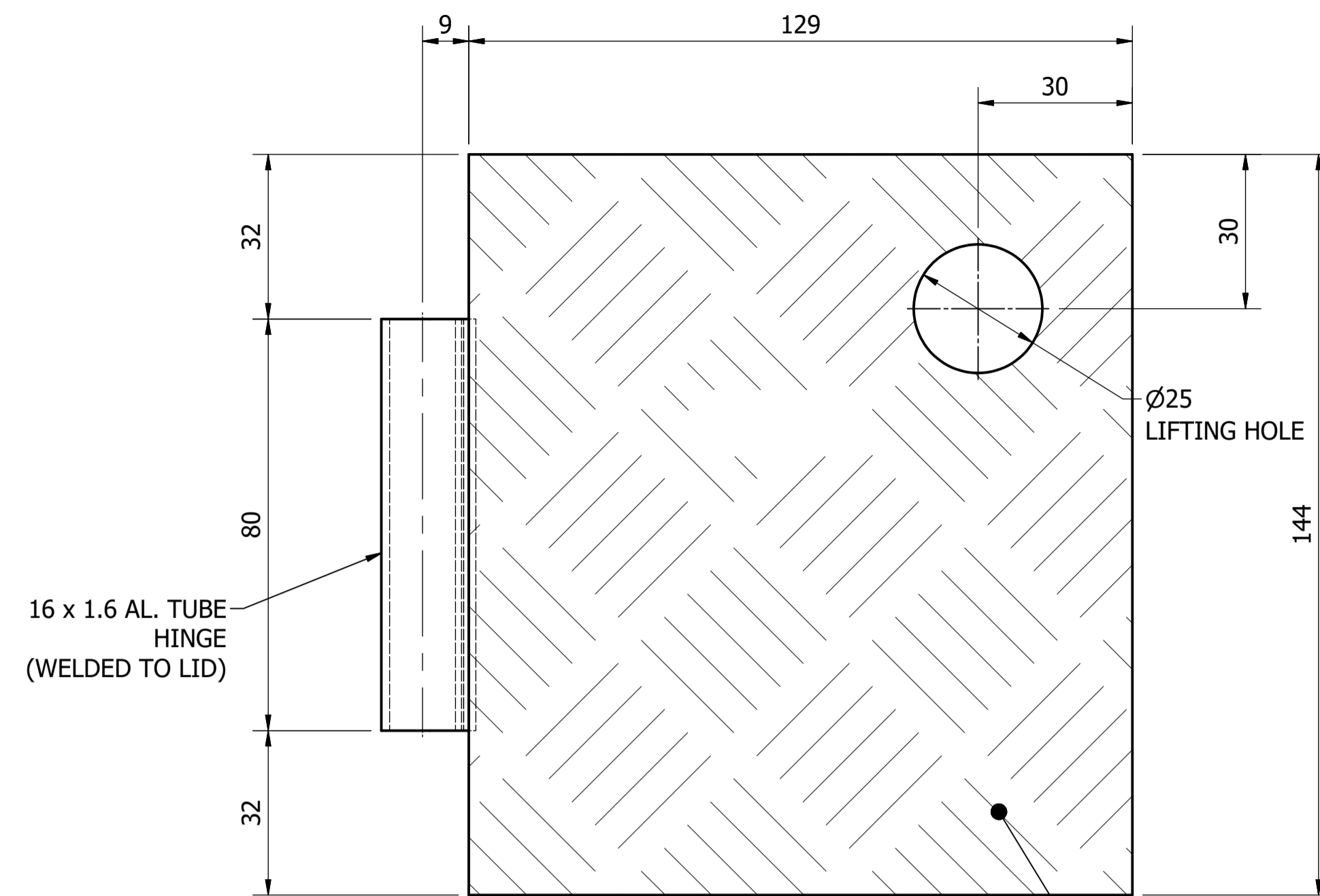


SECTION A-A

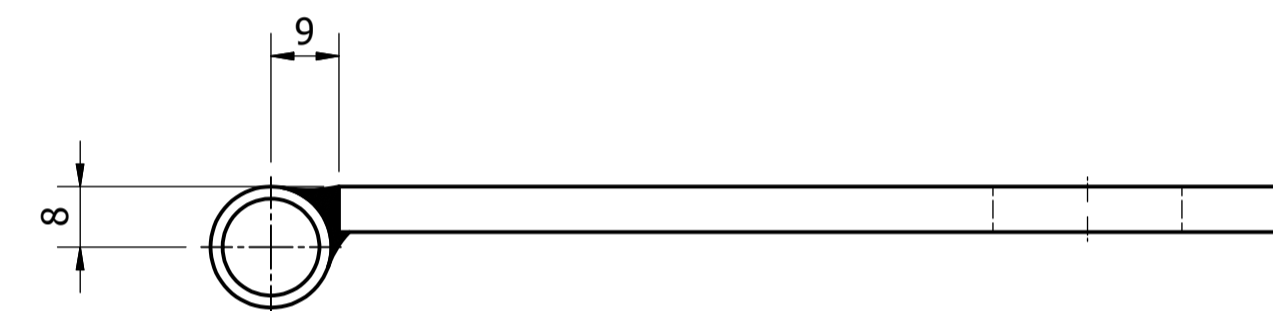
**LOCK BOX - LOCKING PLATE STYLE**

SCALE: 1 : 1

MATERIAL: ALUMINIUM (U.N.O.)  
 COATING: N/A  
 FINISH COLOUR: N/A  
 MASS: 1.5 kg



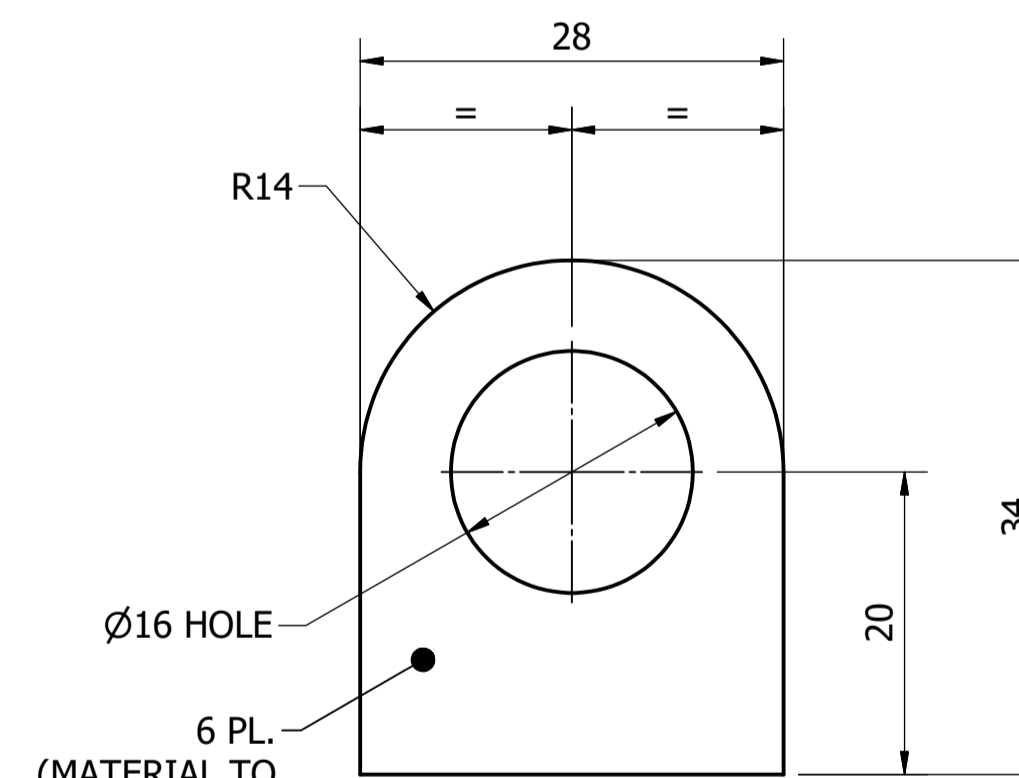
PLAN



SIDE VIEW

LID

SCALE: 1 : 1



PLAN

LOCKING CLEAT

SCALE: 2 : 1

**NOTES:**

- FOR ALUMINIUM FABRICATION NOTES REFER TO DRAWING SD-9103.
- LID AND HINGE TO BE ASSEMBLED PRIOR TO WELDING TO LOCK BOX.

ITEM	AMDT.
PN825601	

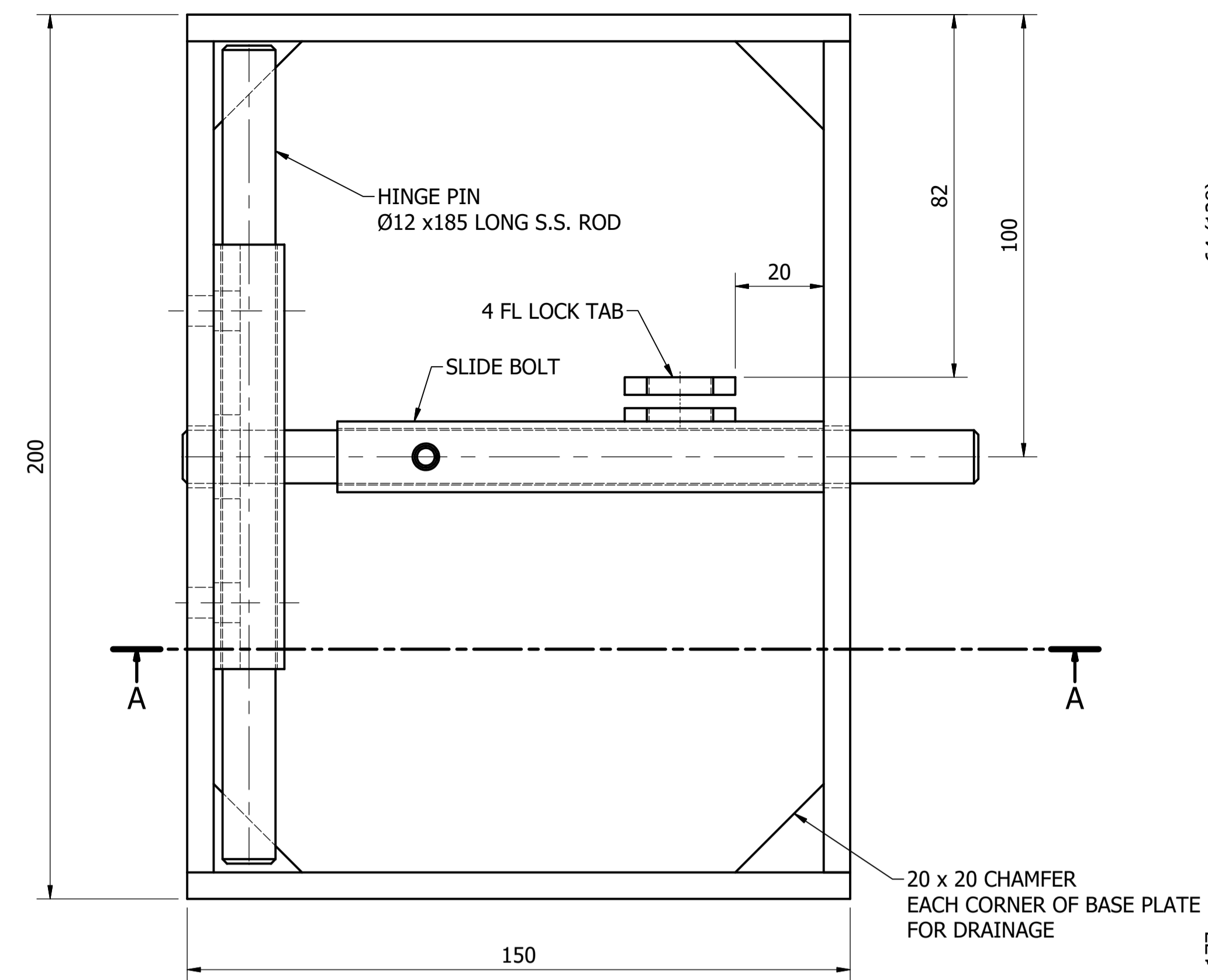
No.	ISSUE	DATE	DRAWN	CHECKED	AUTHORISED
A	INITIAL ISSUE	15/06/2018	M. Matusiak	K. Danenbergsons	D. Eager

DAM	RES	SPS
BWS	WAT	STP
WTP	SEW	
WPS	REC	

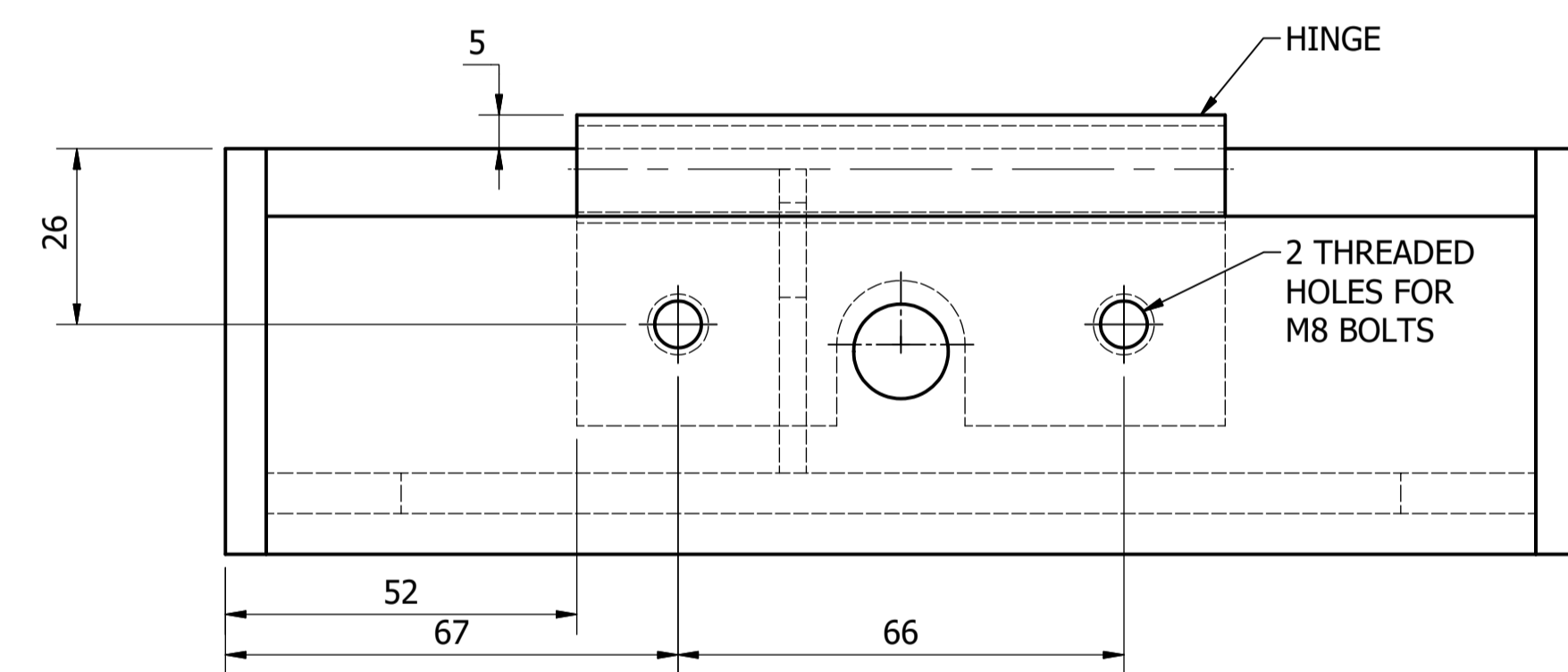


STANDARD DRAWING  
 ACCESS COVERS - ALUMINIUM, HINGED  
 LOCK BOX - LOCKING PLATE STYLE  
 DETAILS

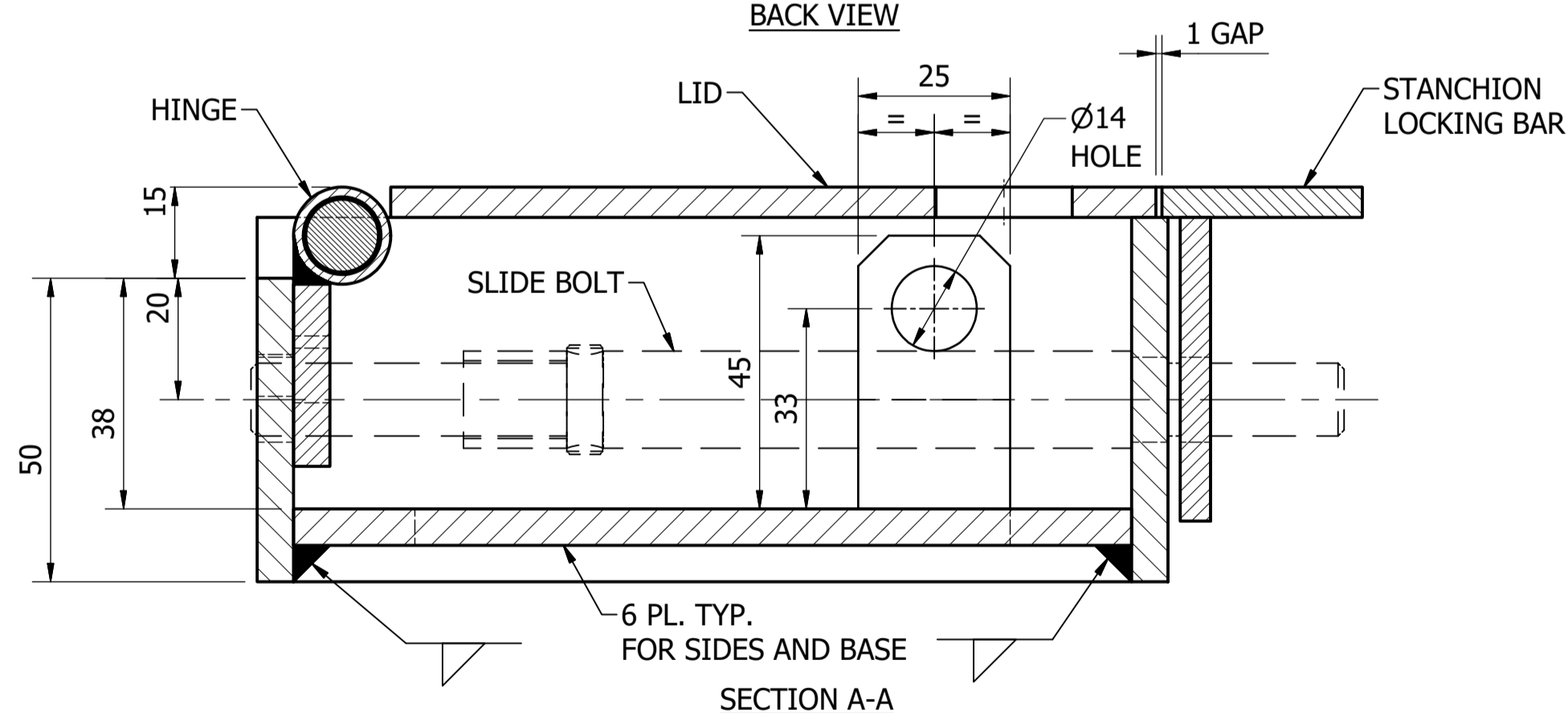
DRAWING STATUS	Current
SD-8256-D	ISSUE A
A1	© Icon Water 2017



PLAN  
(LOCKING BAR AND LID OMITTED FOR CLARITY)



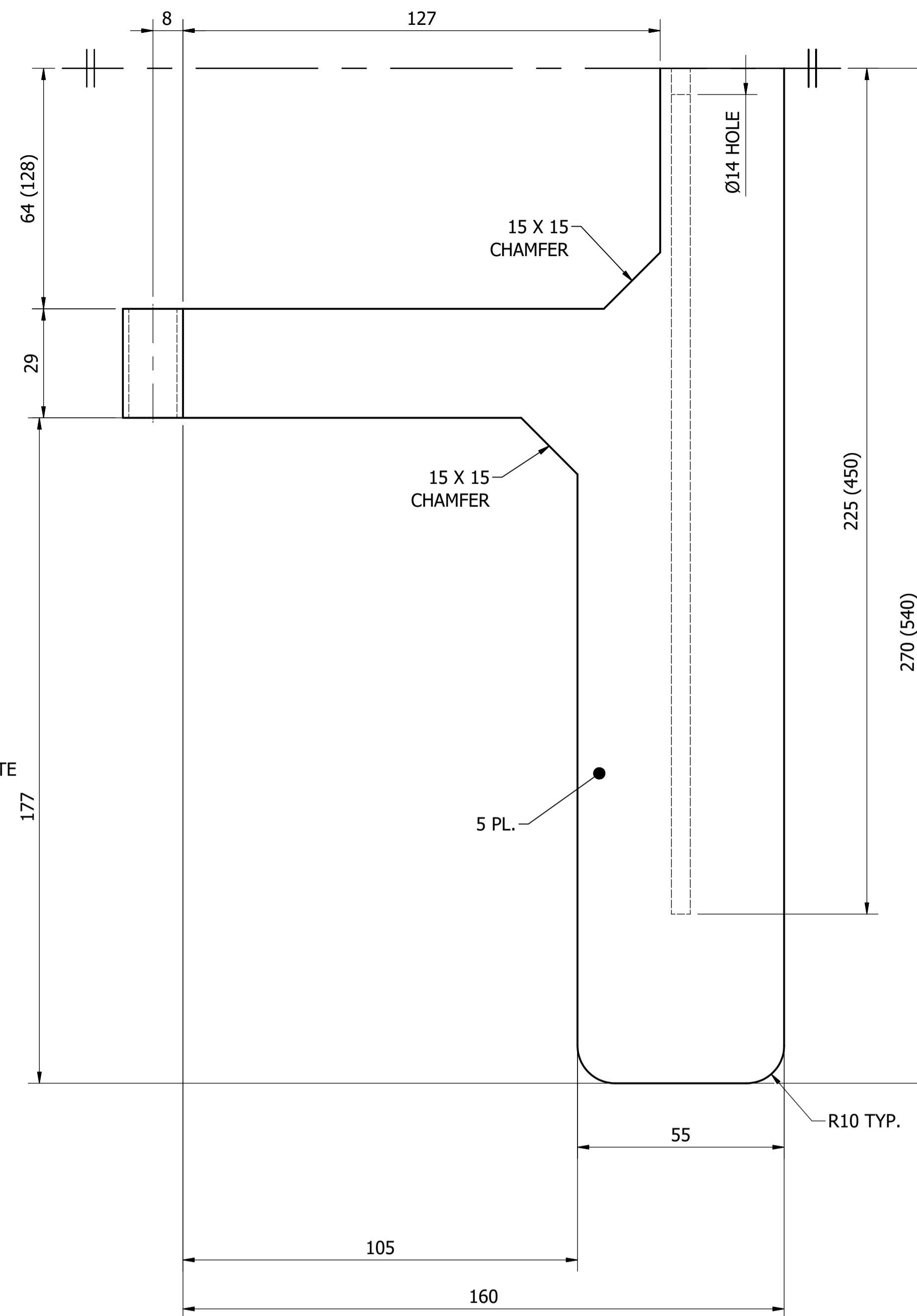
BACK VIEW



LOCK BOX - STANCHION LOCKING BAR TYPE

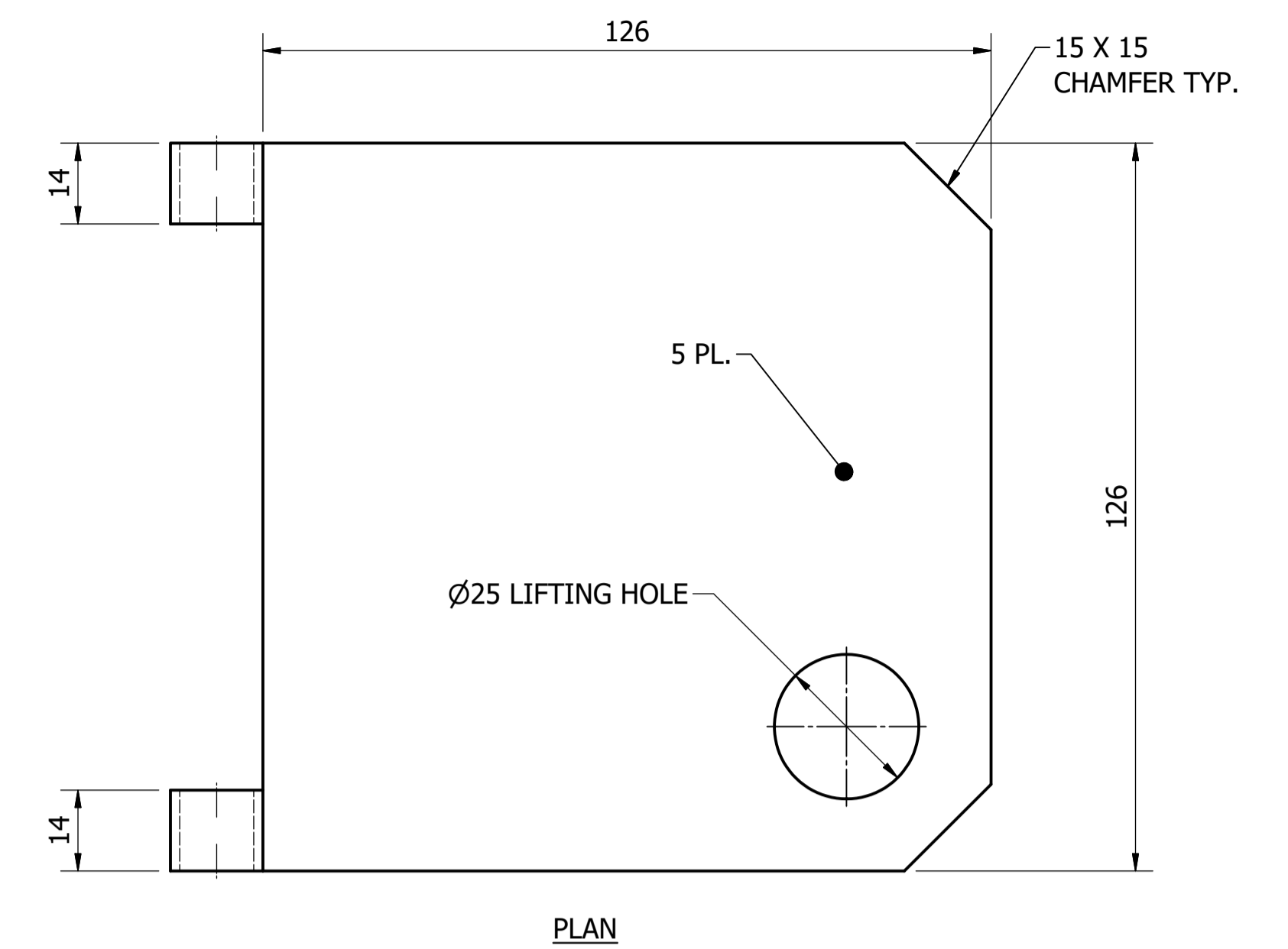
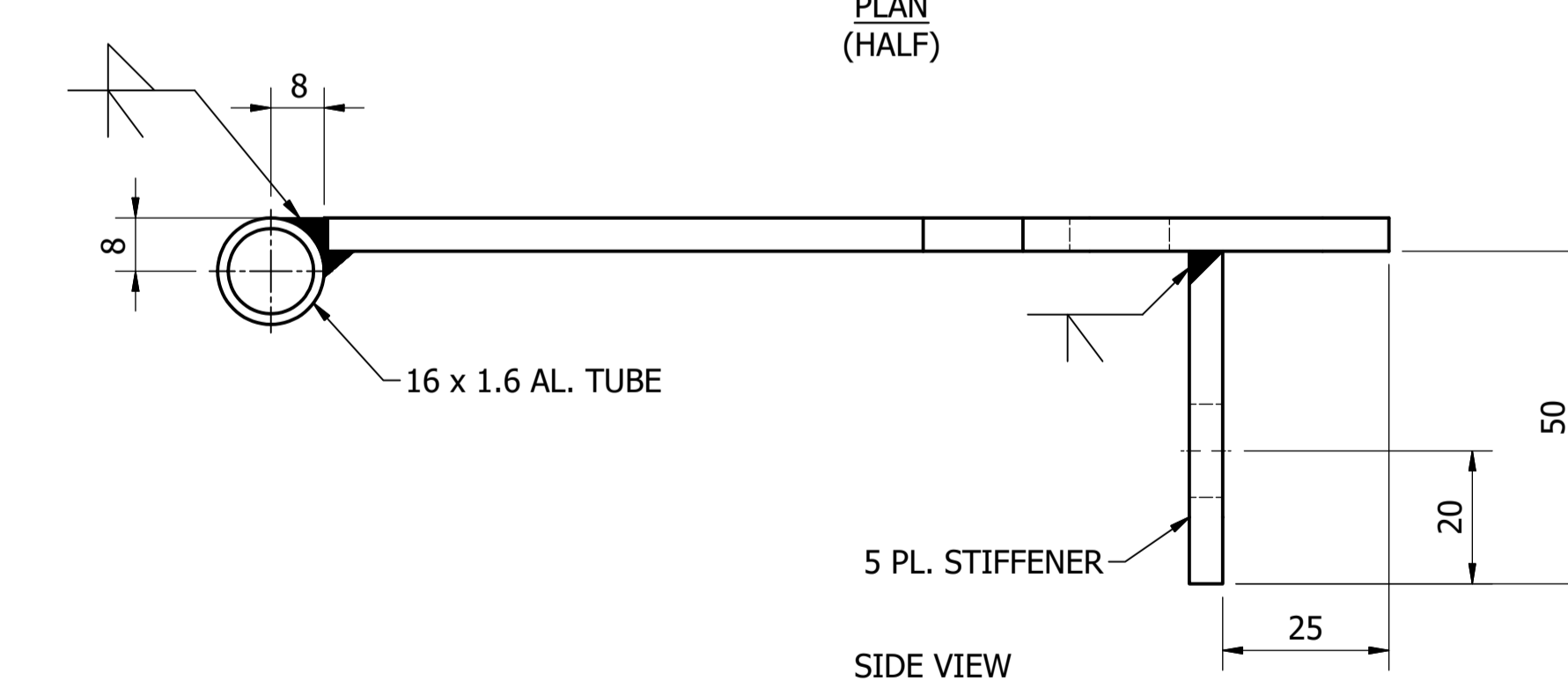
SCALE: 1 : 1

MATERIAL: ALUMINIUM / STAINLESS STEEL  
COATING: N/A  
FINISH COLOUR: N/A  
MASS: 2.5 kg

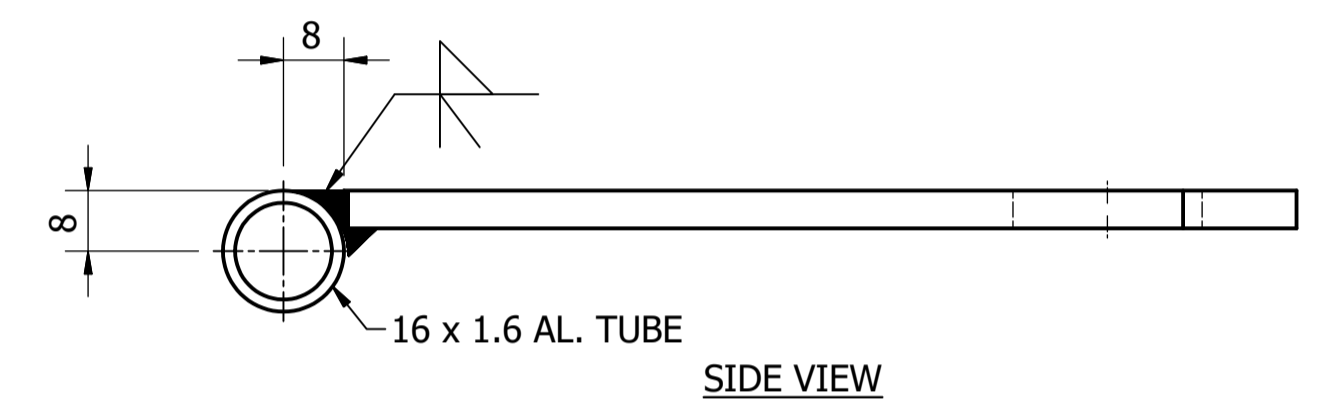


STANCHION LOCKING BAR

SCALE: 1 : 1



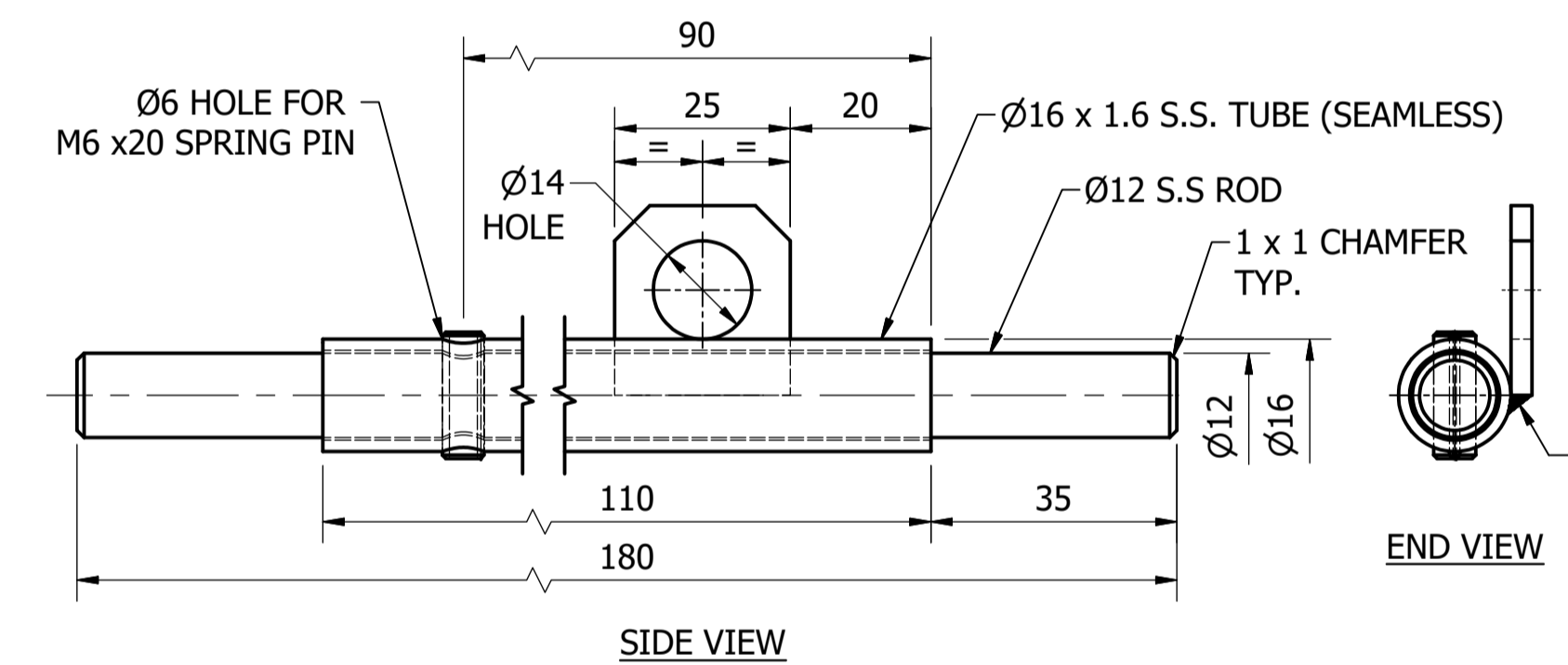
PLAN



SIDE VIEW

LID

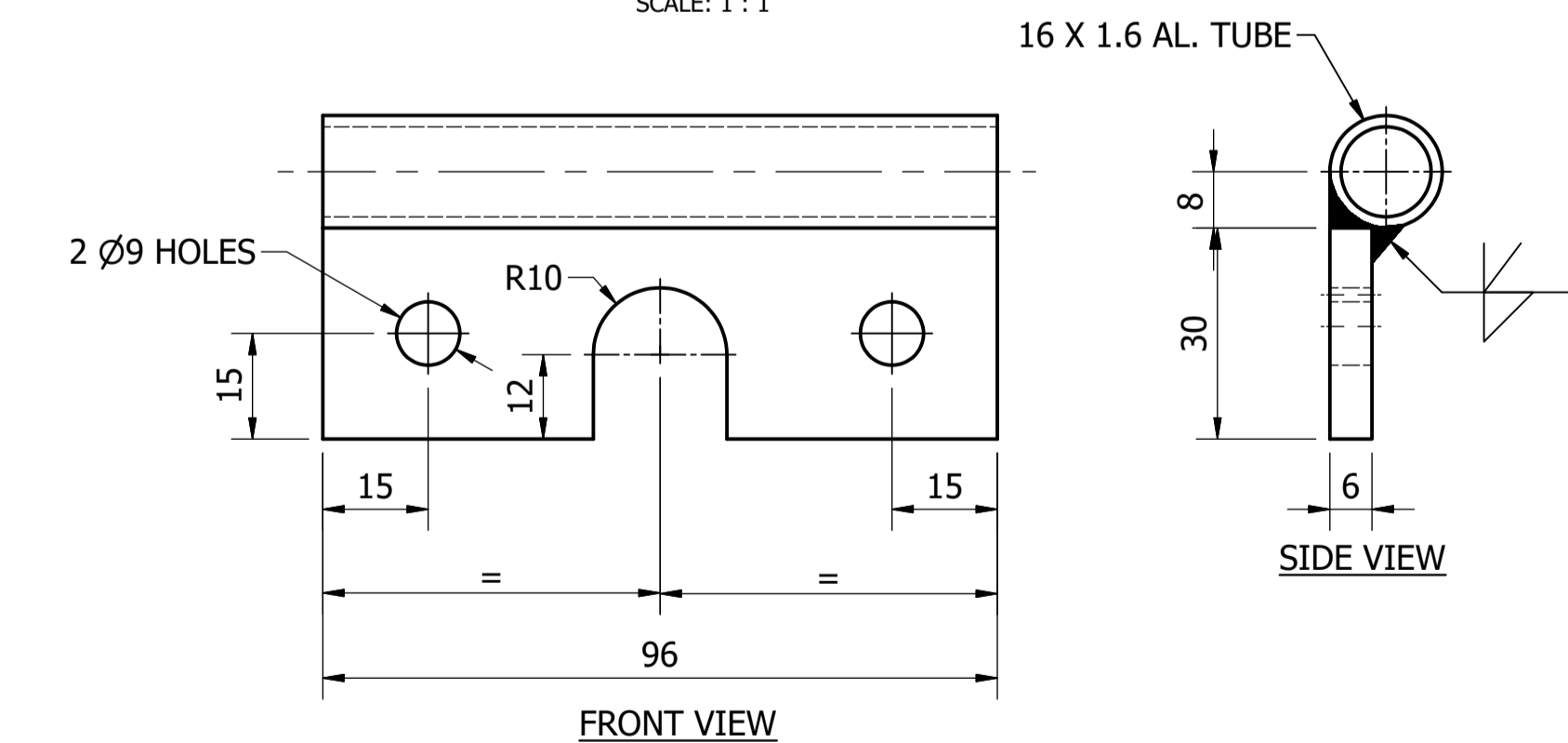
SCALE: 1 : 1



SIDE VIEW

SLIDE BOLT

SCALE: 1 : 1



FRONT VIEW

HINGE

SCALE: 1 : 1

ITEM	AMDT.
PN825701	

No.	ISSUE	DATE	DRAWN	CHECKED	AUTHORISED
A	INITIAL ISSUE	15/06/2018	M. Matusiak	K. Danenbergsons	D. Eager

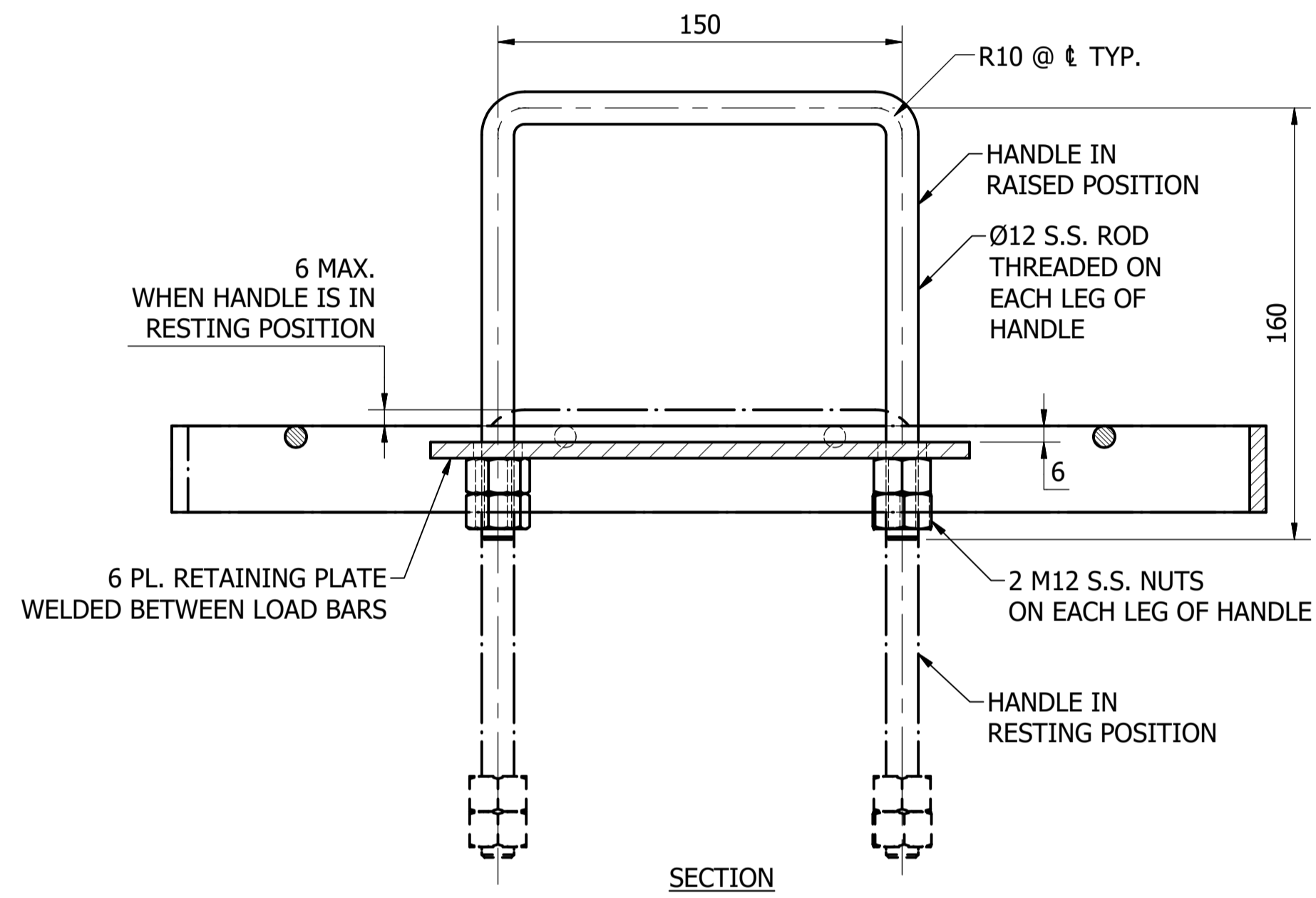
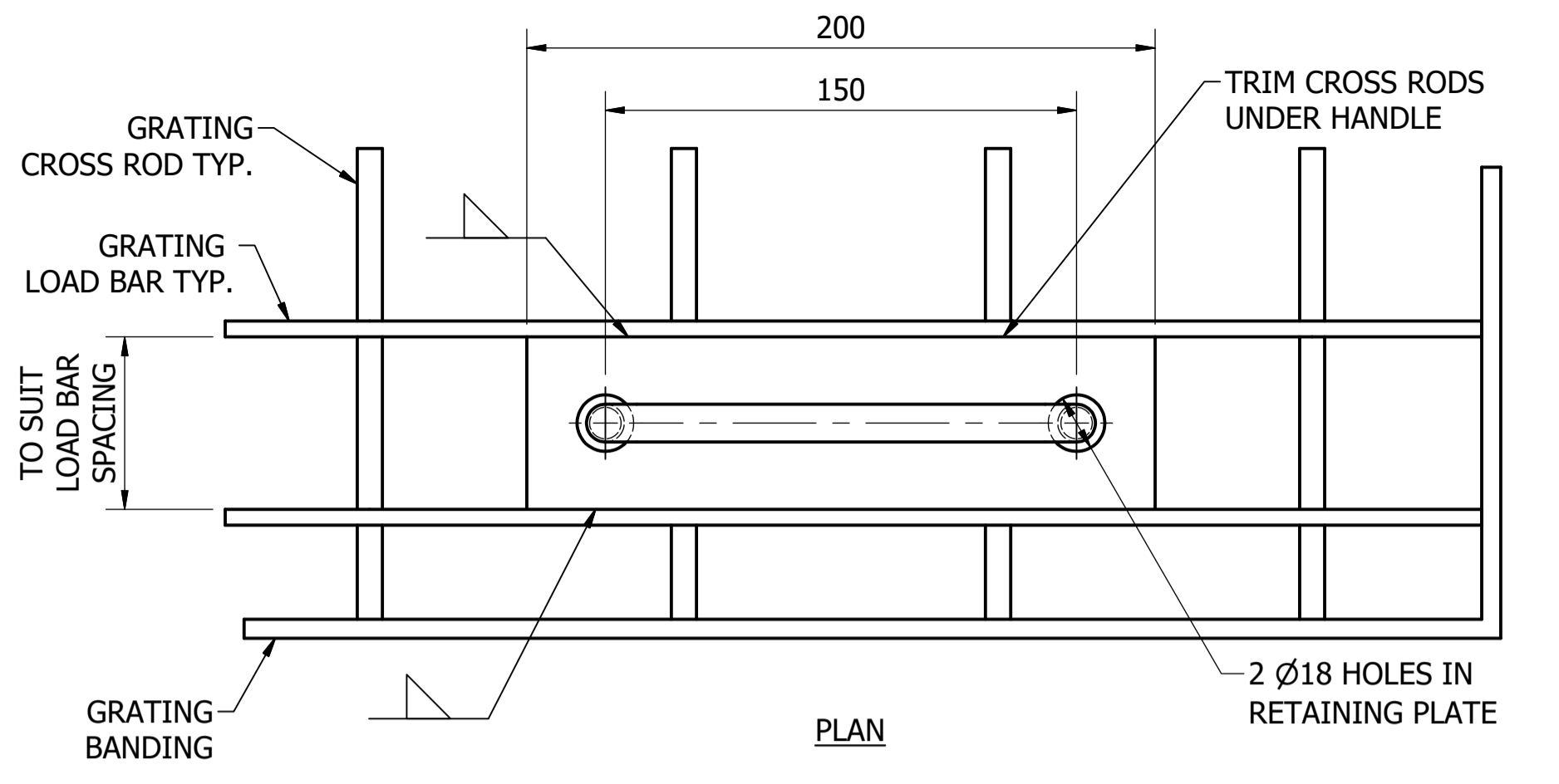
DAM	RES	SPS
BWS	WAT	STP
WTP	SEW	
WPS	REC	



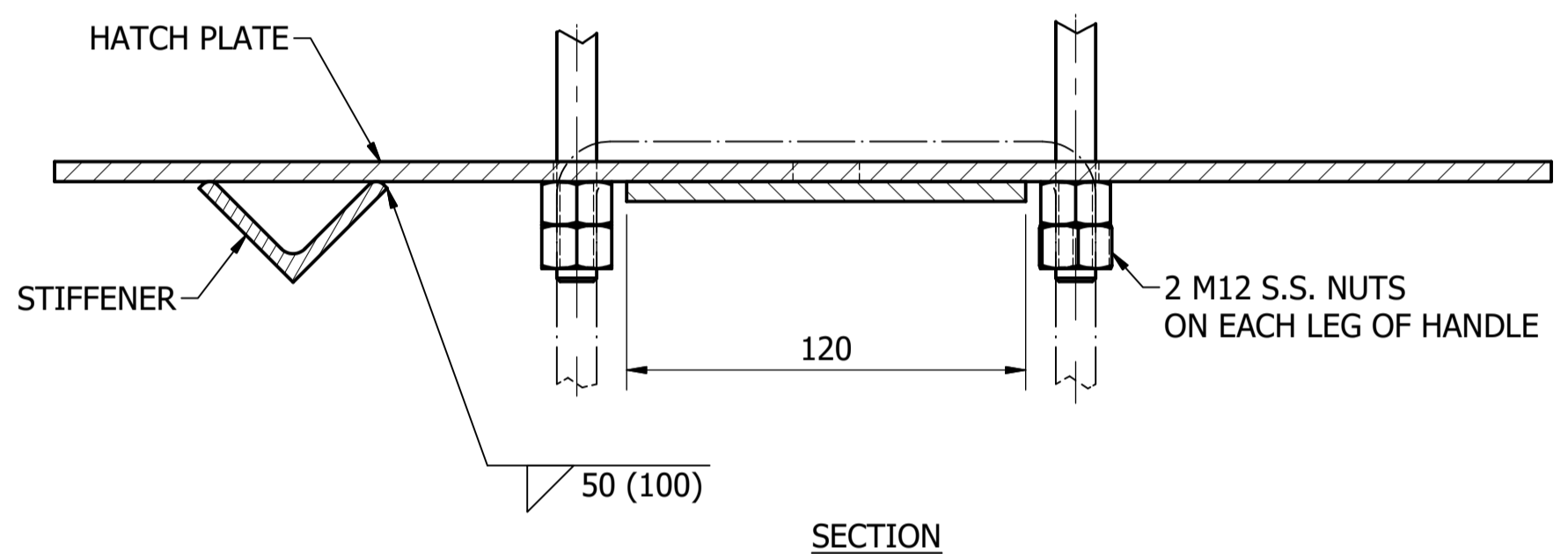
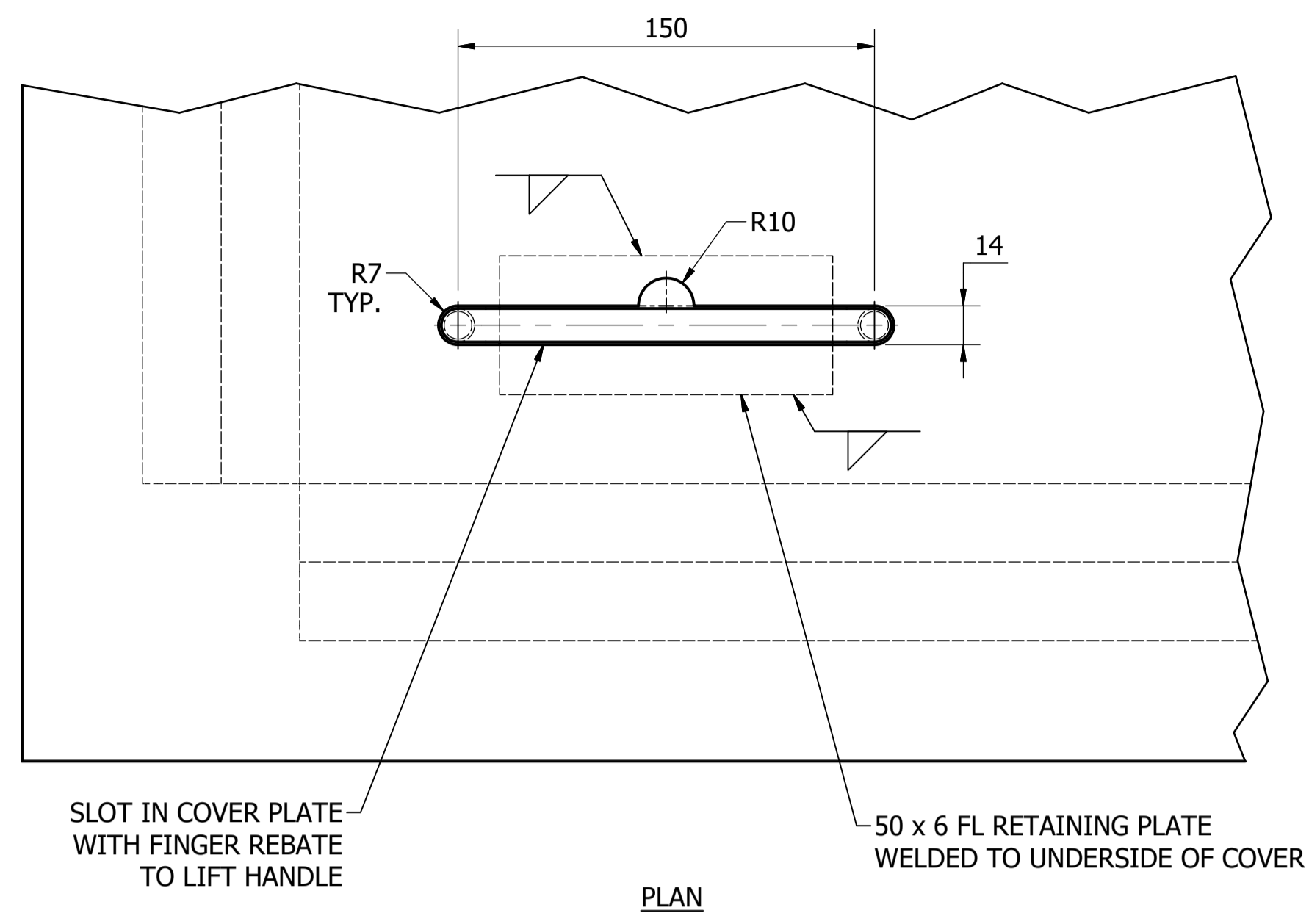
STANDARD DRAWING  
ACCESS COVERS - ALUMINIUM, HINGED  
LOCK BOX - STANCHION LOCKING BAR TYPE  
DETAILS

DRAWING STATUS	Current
SD-8257-D	ISSUE A
A1	© Icon Water 2017





**WEBGRATE STYLE HATCH**



**STIFFENED PLATE STYLE HATCH**

**RETRACTABLE HANDLE - FLUSH FIT**

SCALE: 1 : 2

MATERIAL: STAINLESS STEEL / CARBON STEEL / ALUMINIUM  
 COATING: HOT DIP GALVANISED (CARBON STEEL PARTS ONLY)  
 FINISH COLOUR: N/A  
 MASS: 0.5 kg APPROX. (HANDLE ONLY)

ITEM	AMDT.
PN826101	

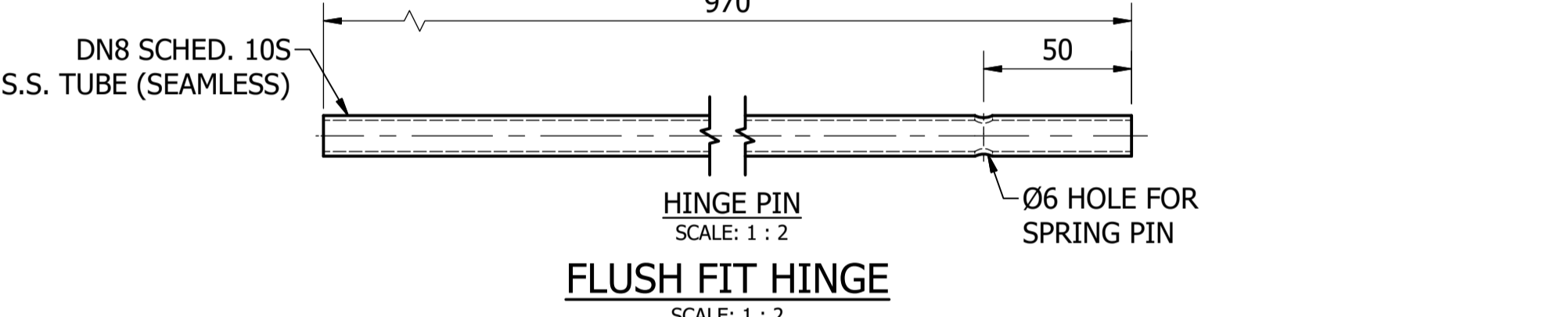
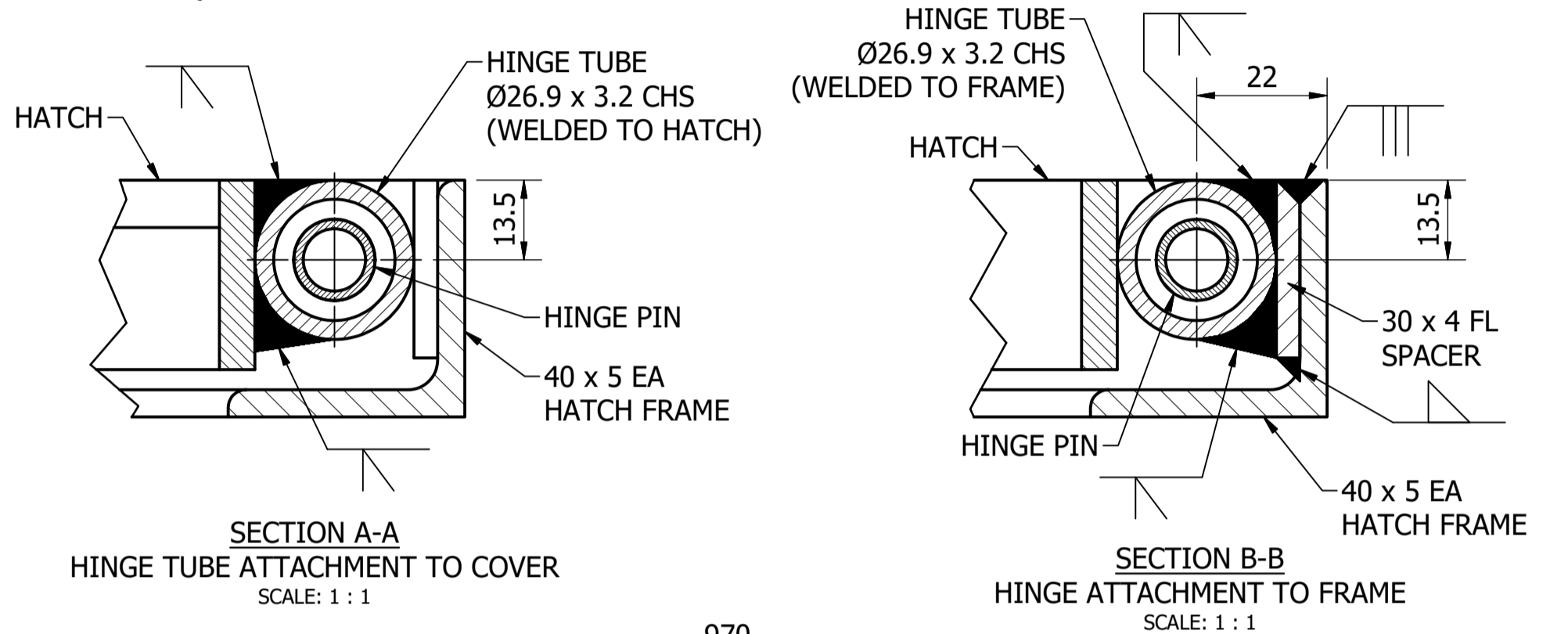
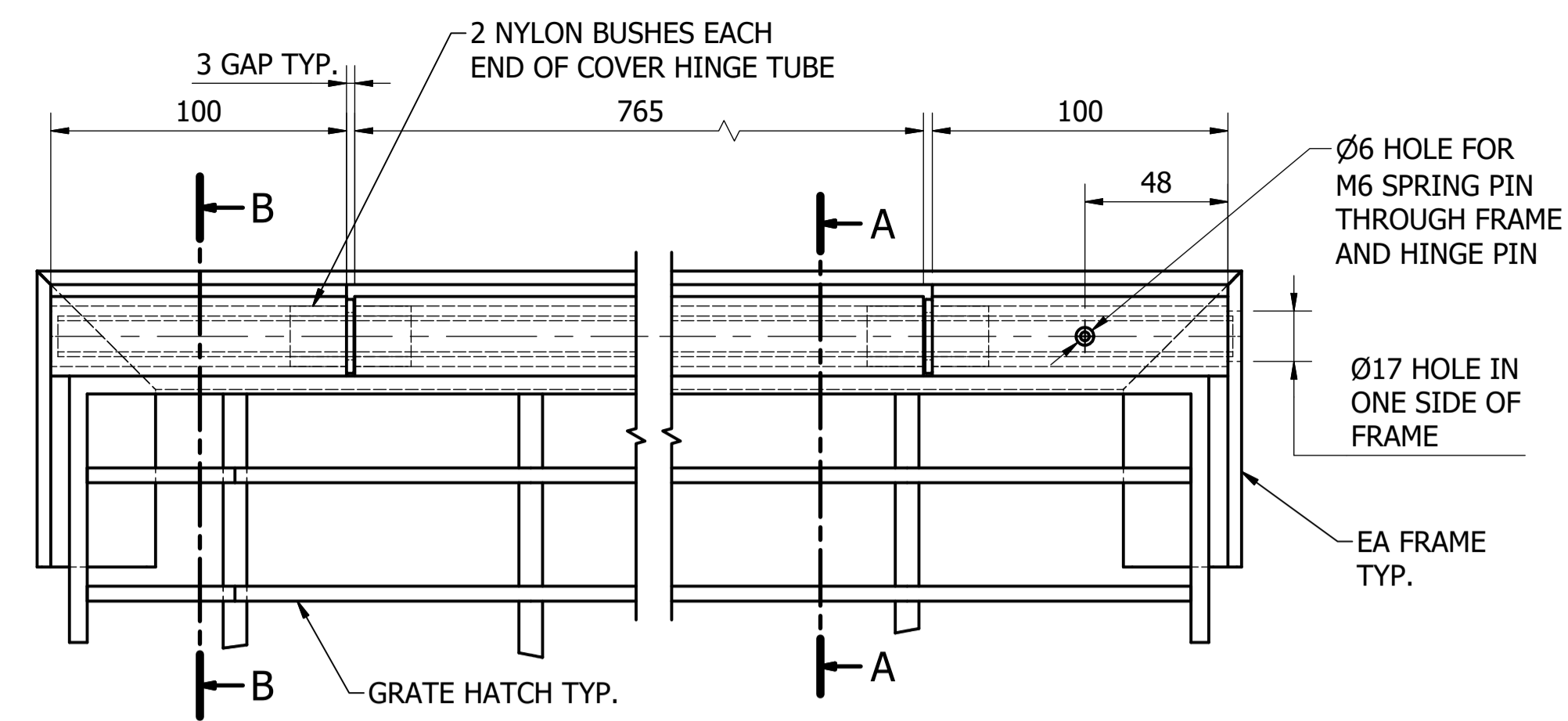
DAM	RES	SPS
BWS	WAT	STP
WTP	SEW	
WPS	REC	



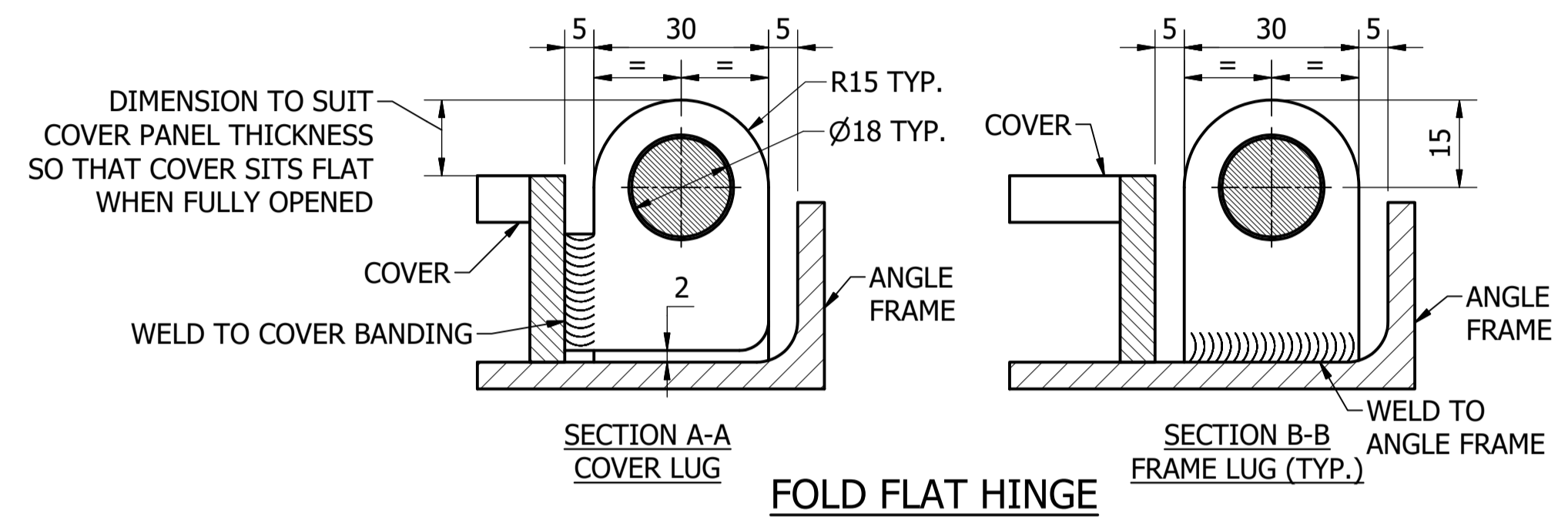
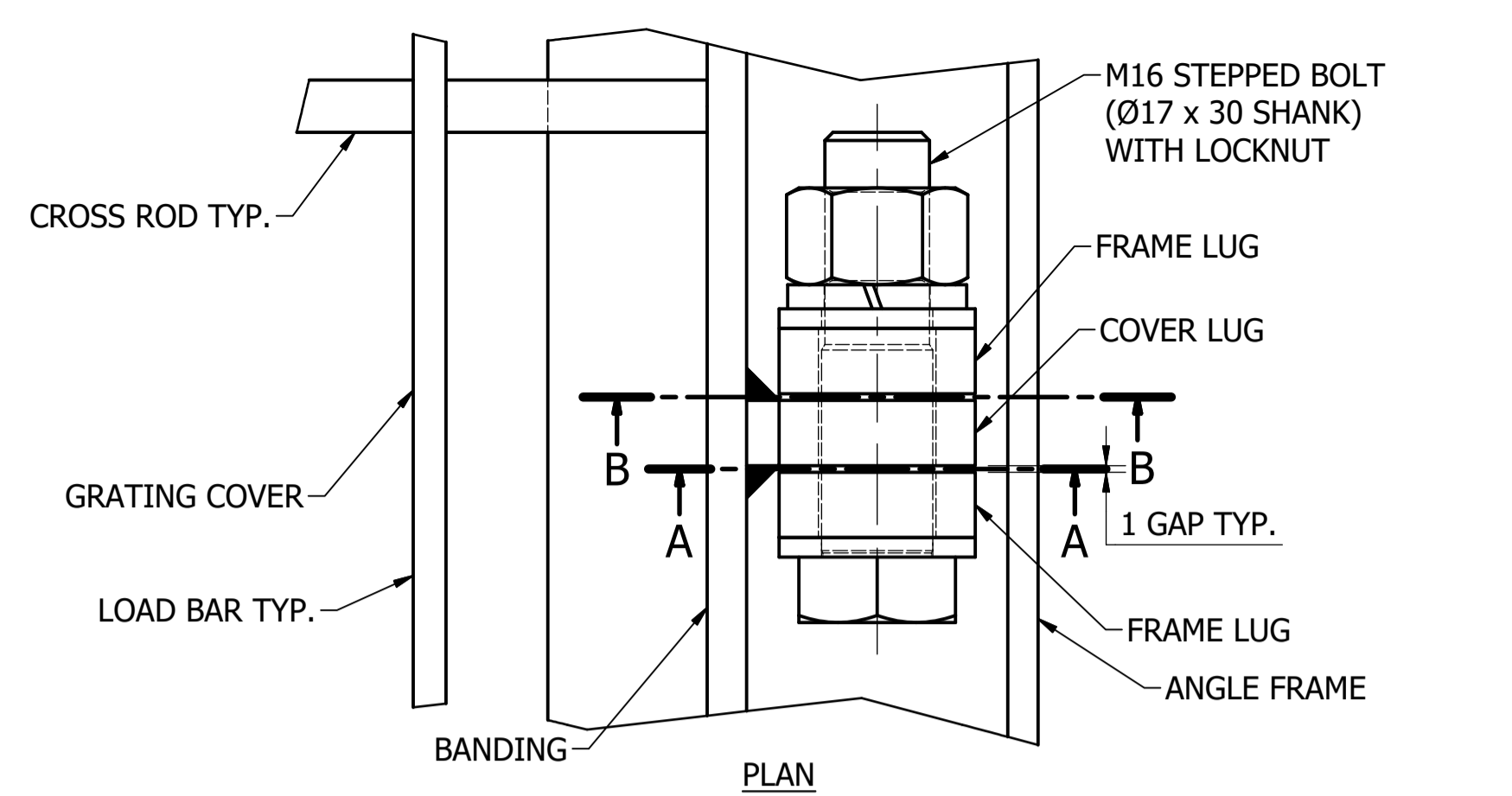
STANDARD DRAWING  
 ACCESS COVERS - HDG AND ALUMINIUM, HINGED  
 LIFTING HANDLES  
 DETAILS

DRAWING STATUS	
Current	
SD-8261-D	
A1	ISSUE A

No.	ISSUE	DATE	DRAWN	CHECKED	AUTHORISED
A	INITIAL ISSUE	15/06/2018	M. Matusiak	K. Danenbergsons	D. Eager



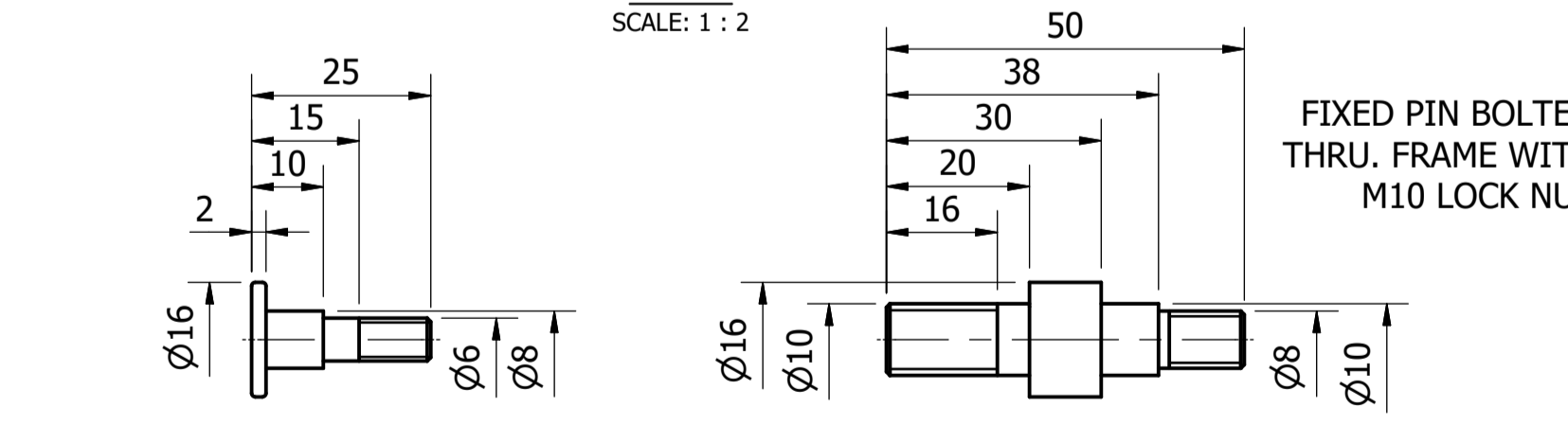
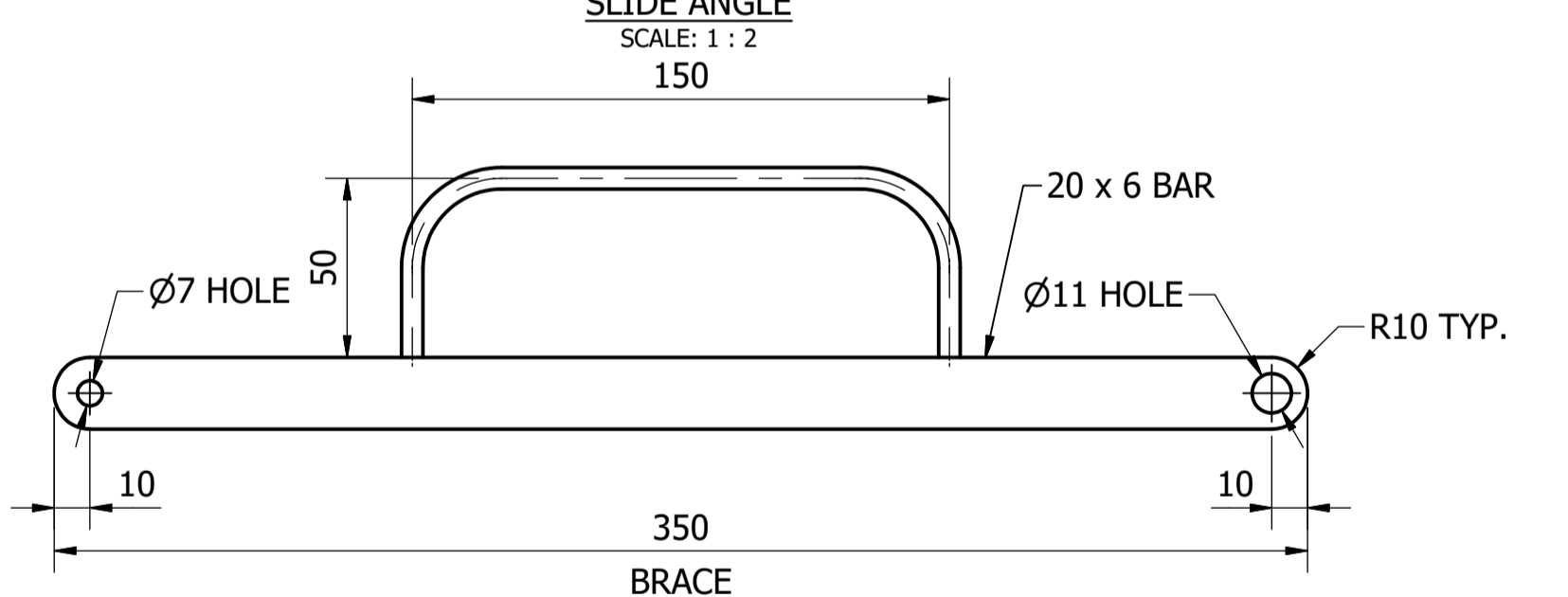
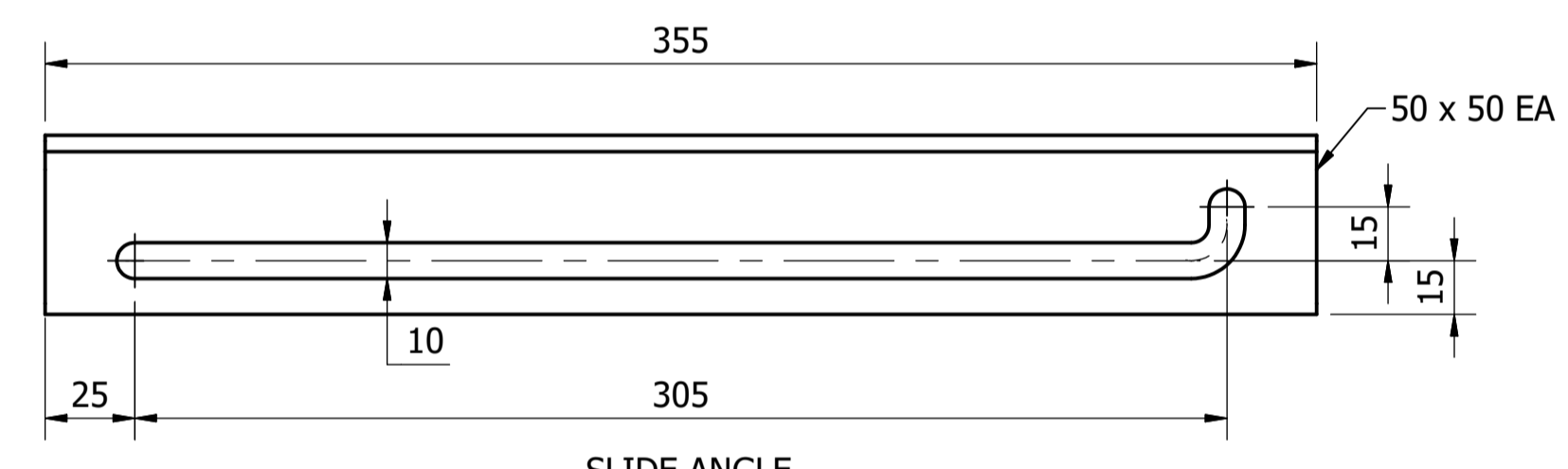
ITEM	AMDT.
PN826301	



**FOLD FLAT HINGE**  
(MIN 2 PER COVER PANNEL)  
SCALE: 1 : 1

MATERIAL: CARBON STEEL  
COATING: HOT DIP GALVANISED (AS PART OF FINAL ASSY.)  
FINISH COLOUR: N/A  
MASS: 1 kg

ITEM	AMDT.
PN826302	



**HATCH STAY**  
SCALE: AS SHOWN

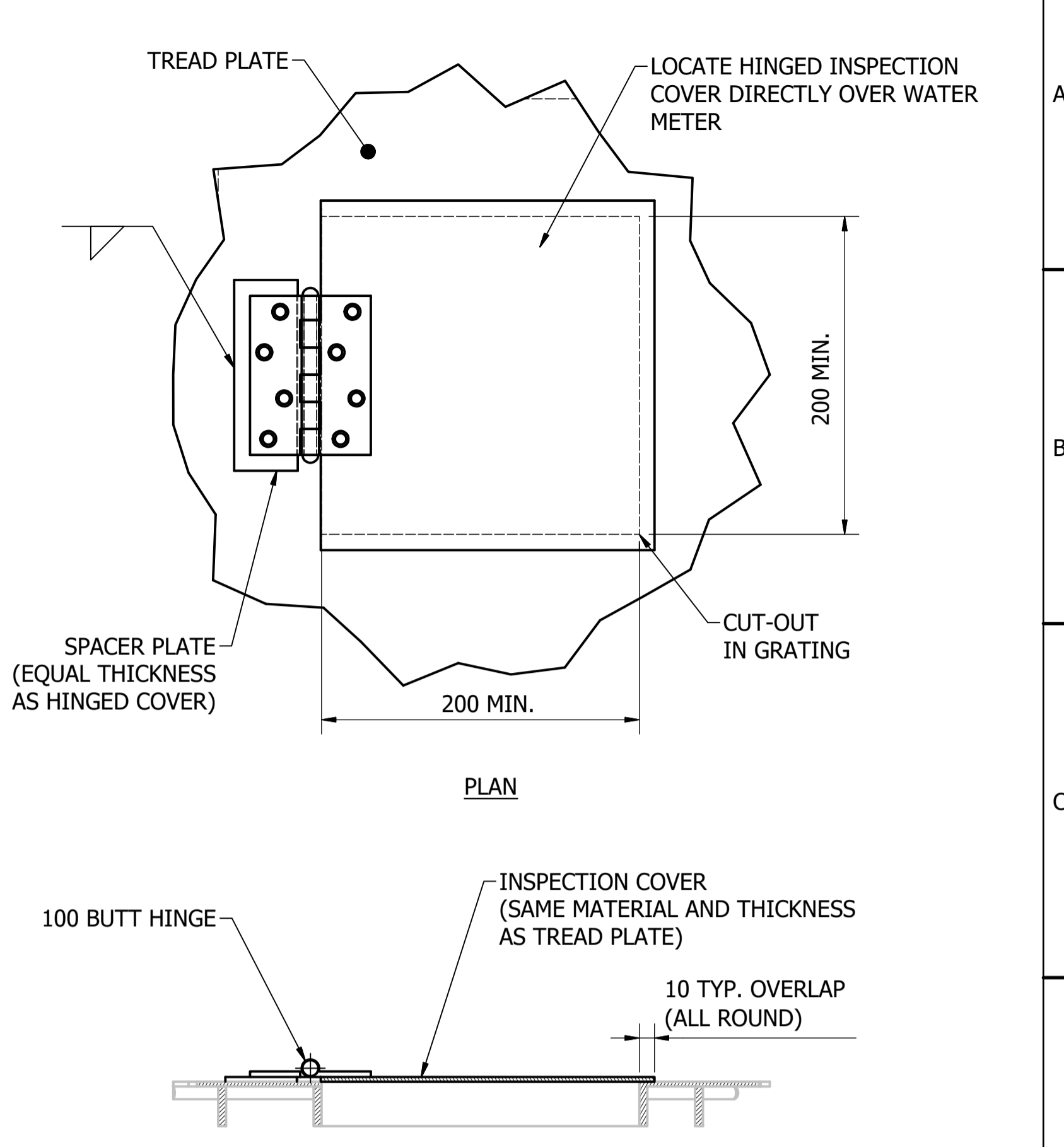
MATERIAL: CARBON STEEL  
COATING: HOT DIP GALVANISED  
FINISH COLOUR: N/A  
MASS: 2 kg APPROX.

ITEM	AMDT.
PN826305	

DAM	RES	SPS
BWS	WAT	STP
WTP	SEW	
WPS	REC	



STANDARD DRAWING  
ACCESS COVERS - HOT DIP GALVANISED STEEL, HINGED  
HINGE AND STAY  
DETAILS

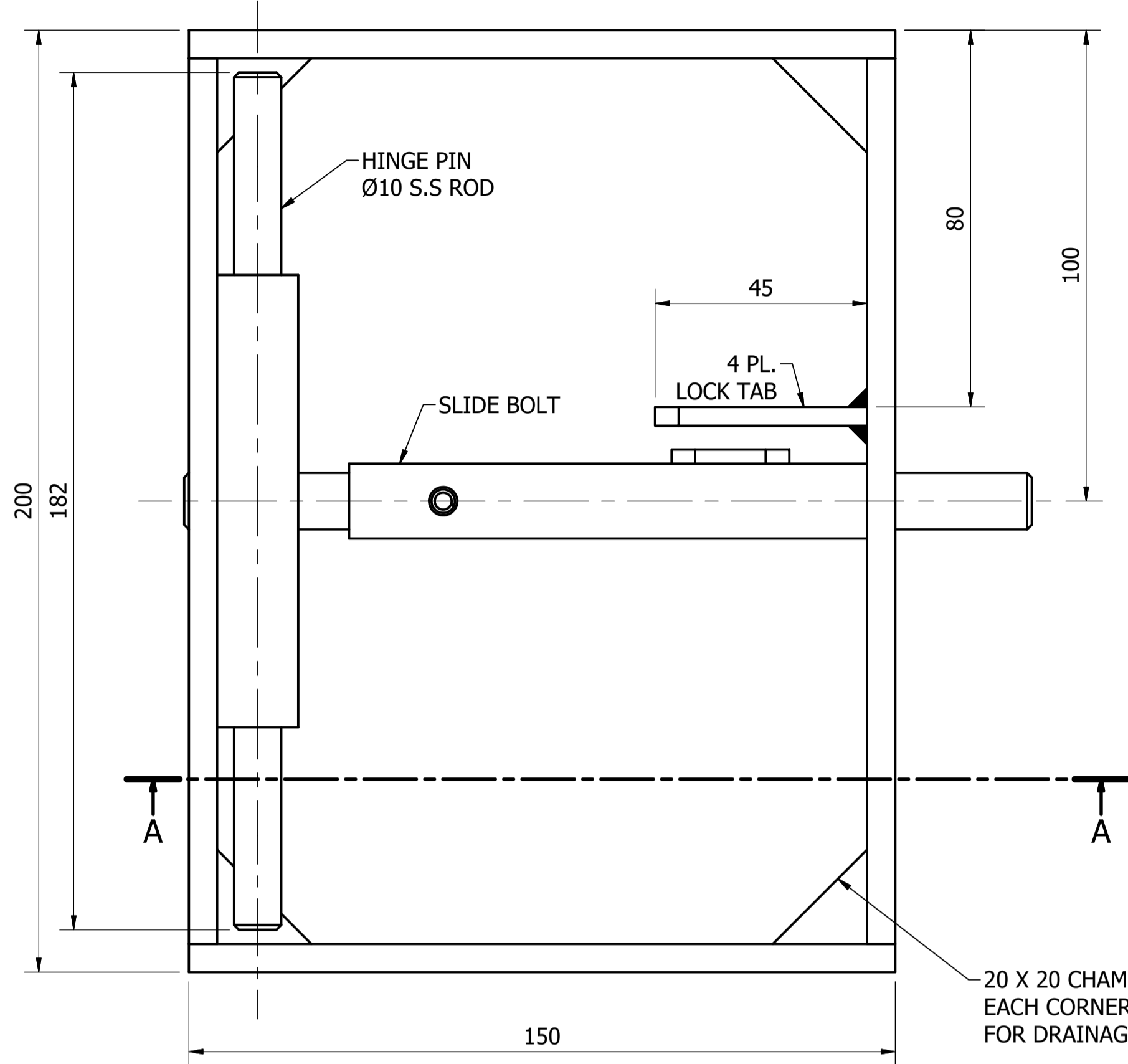


ITEM	AMDT.
PN826303	

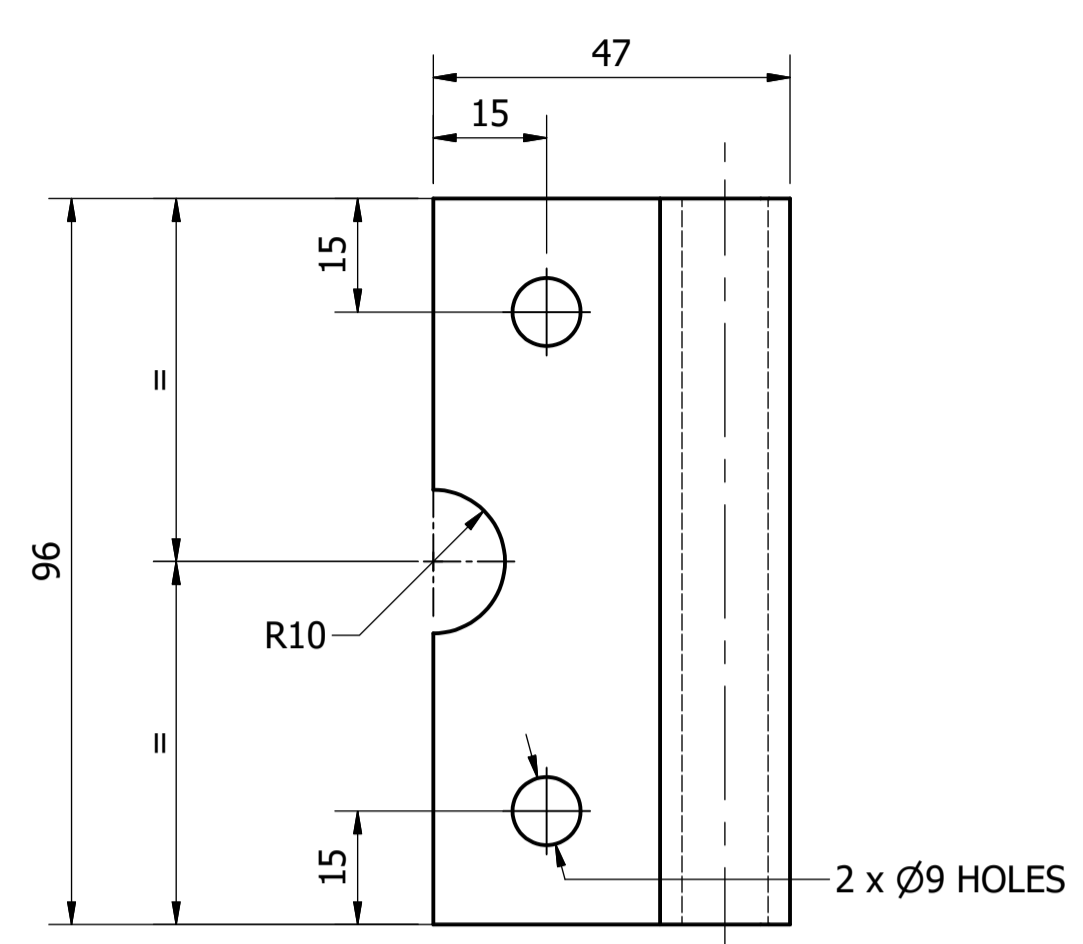
MATERIAL: AS SHOWN  
COATING: AS SHOWN  
FINISH COLOUR: N/A  
MASS: 2 kg

No.	ISSUE	DATE	DRAWN	CHECKED	AUTHORISED
A	INITIAL ISSUE	15/06/2018	M. Matusiak	K. Danenbergsons	D. Eager

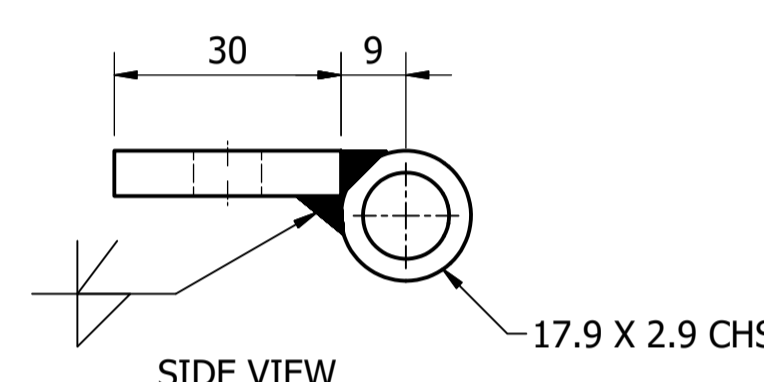
DRAWING STATUS		Current
SD-8263-D		ISSUE A
A1	© Icon Water 2017	



PLAN  
(LID OMITTED FOR CLARITY)

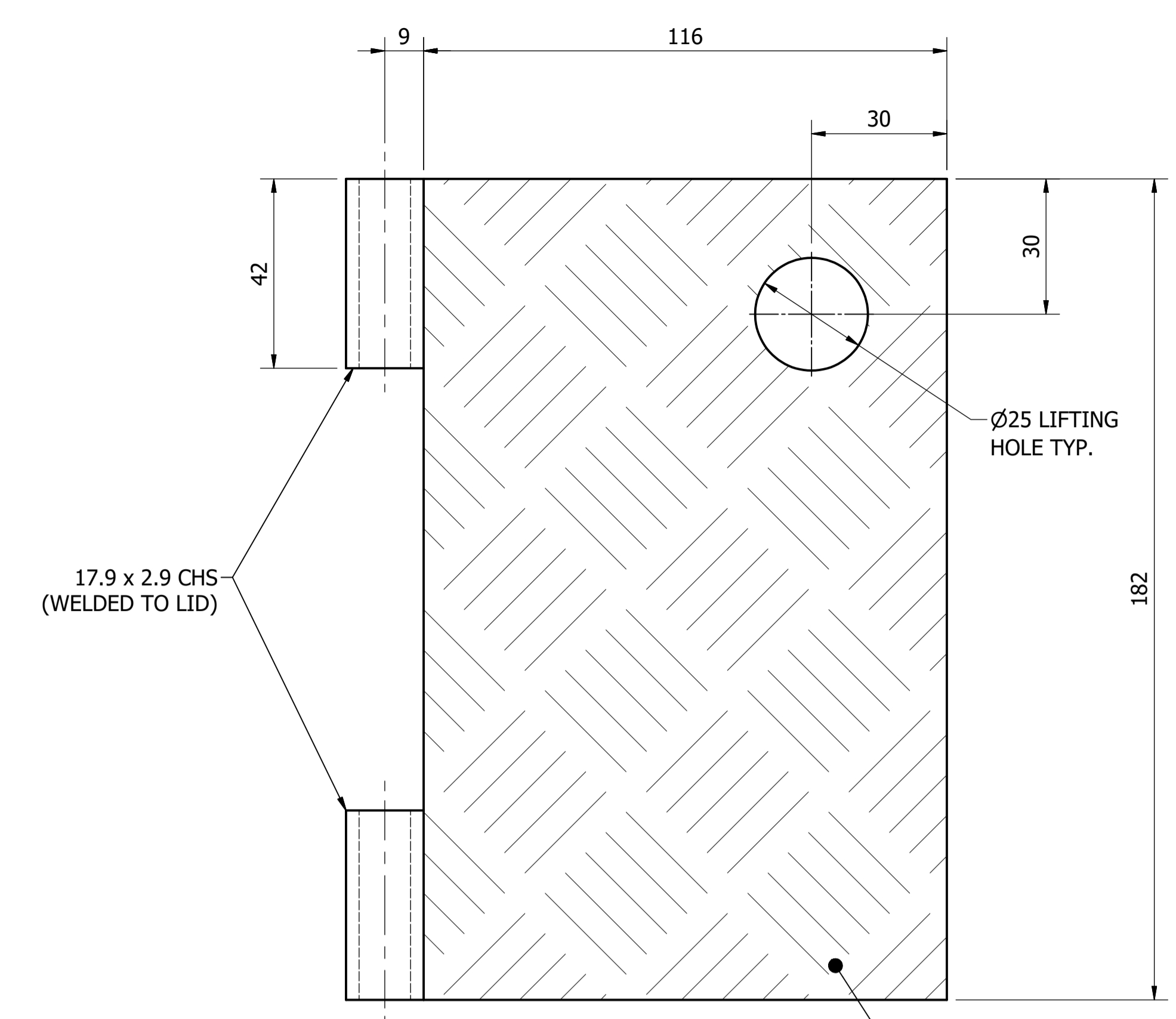


FRONT VIEW

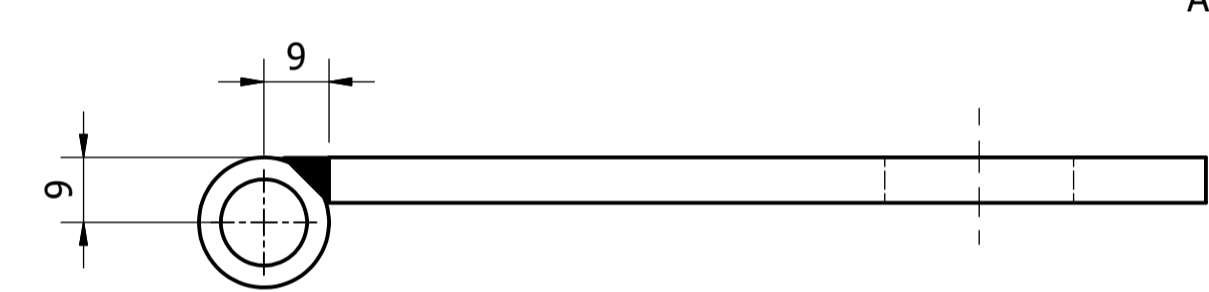


SIDE VIEW

HINGE  
SCALE: 1 : 1

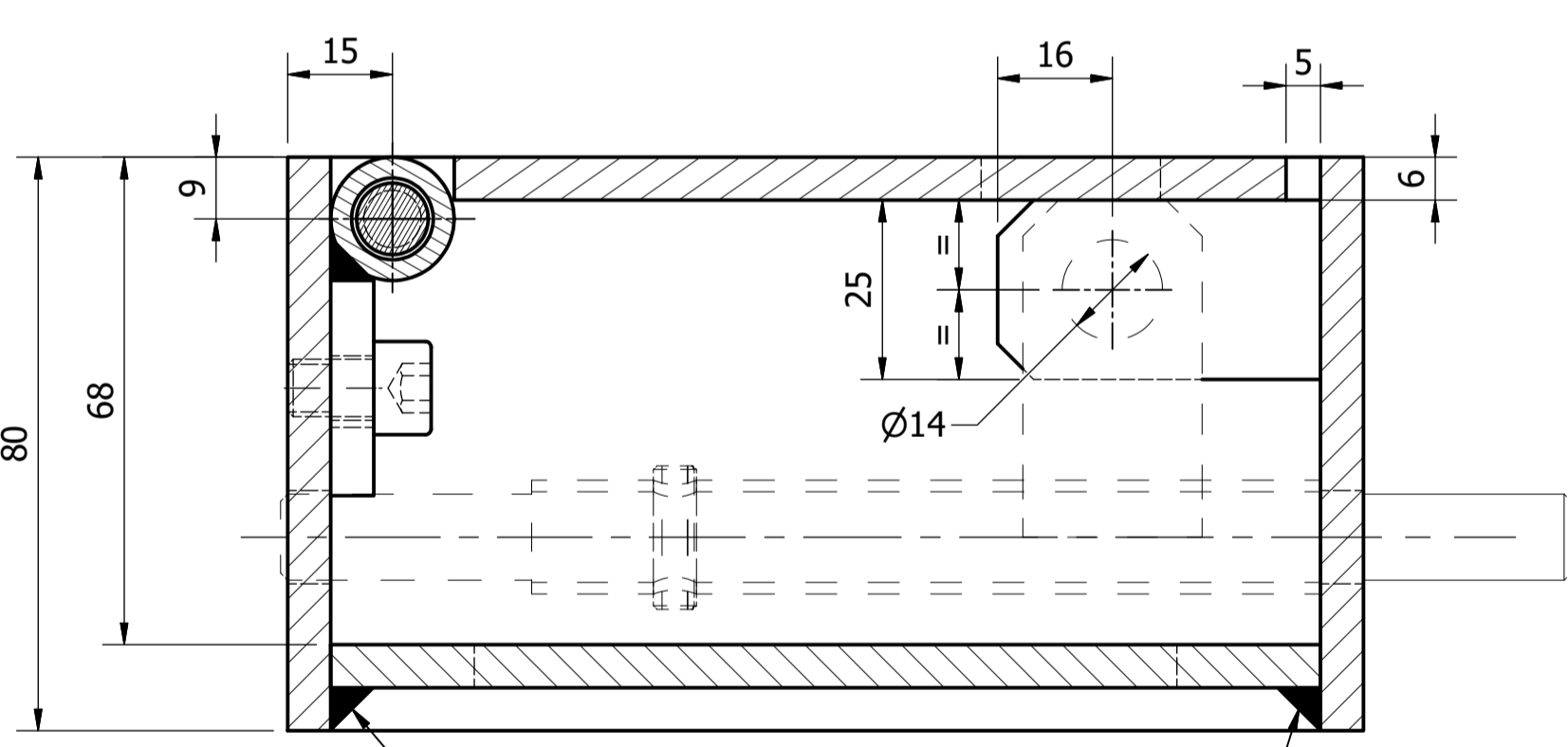


PLAN

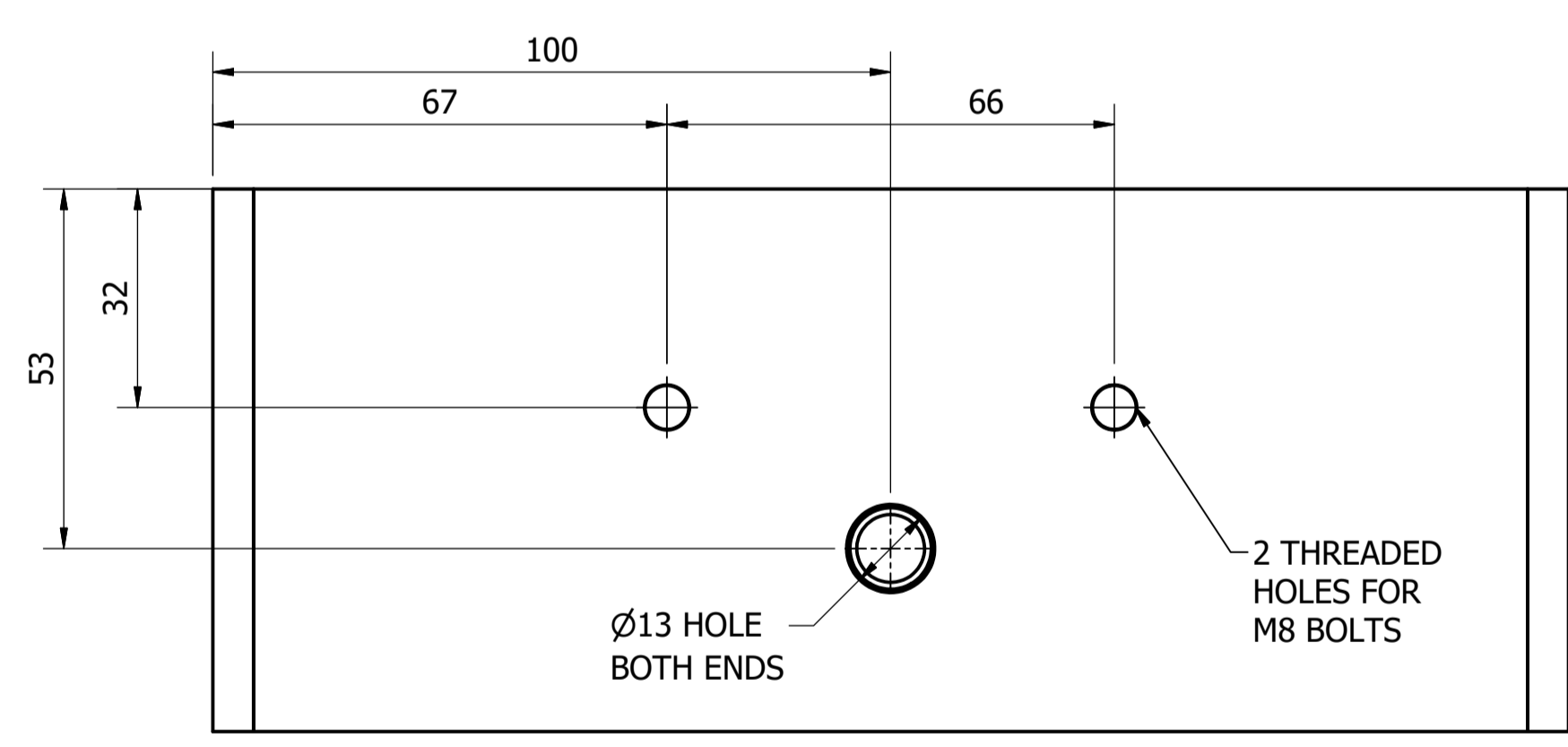


SIDE VIEW

LID  
SCALE: 1 : 1



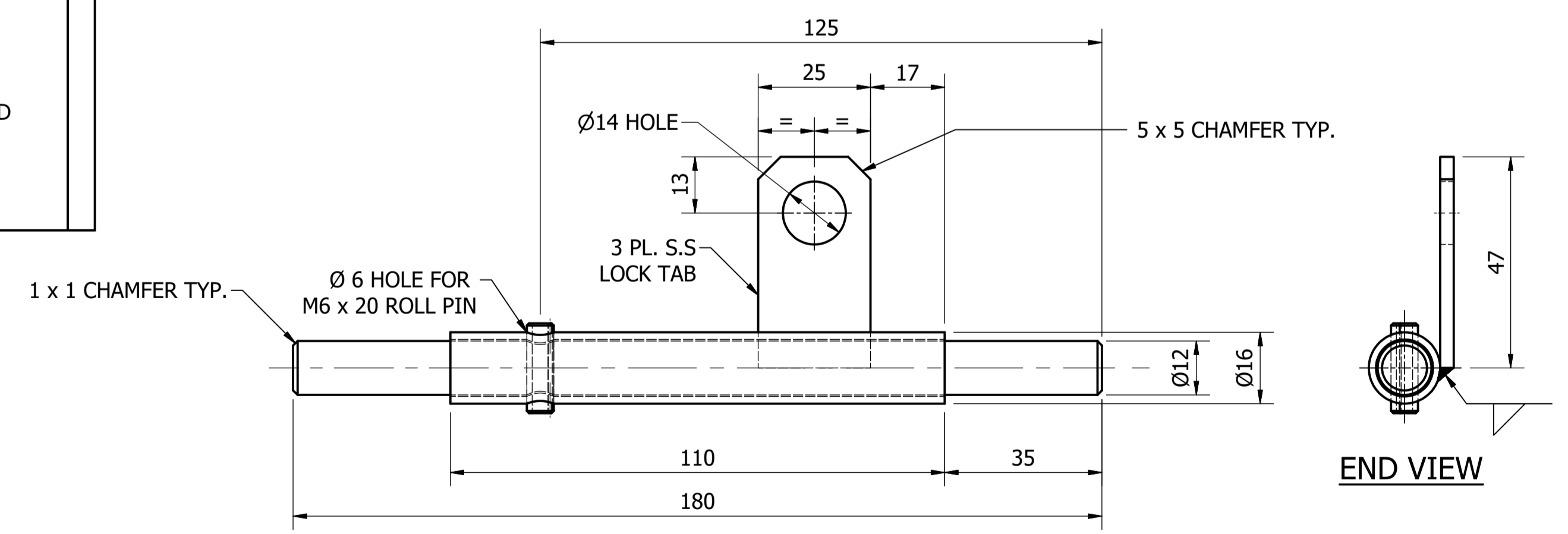
SECTION A-A



BACK VIEW

LOCK BOX - SLIDE BOLT TYPE  
SCALE: 1 : 1

MATERIAL: CARBON STEEL / STAINLESS STEEL  
COATING: HOT DIP GALVANISED (CARBON STEEL PARTS ONLY)  
FINISH COLOUR: N/A  
MASS: 5 kg



SIDE VIEW

SLIDE BOLT  
SCALE: 1 : 1

END VIEW

ITEM	AMDT.
PN826501	

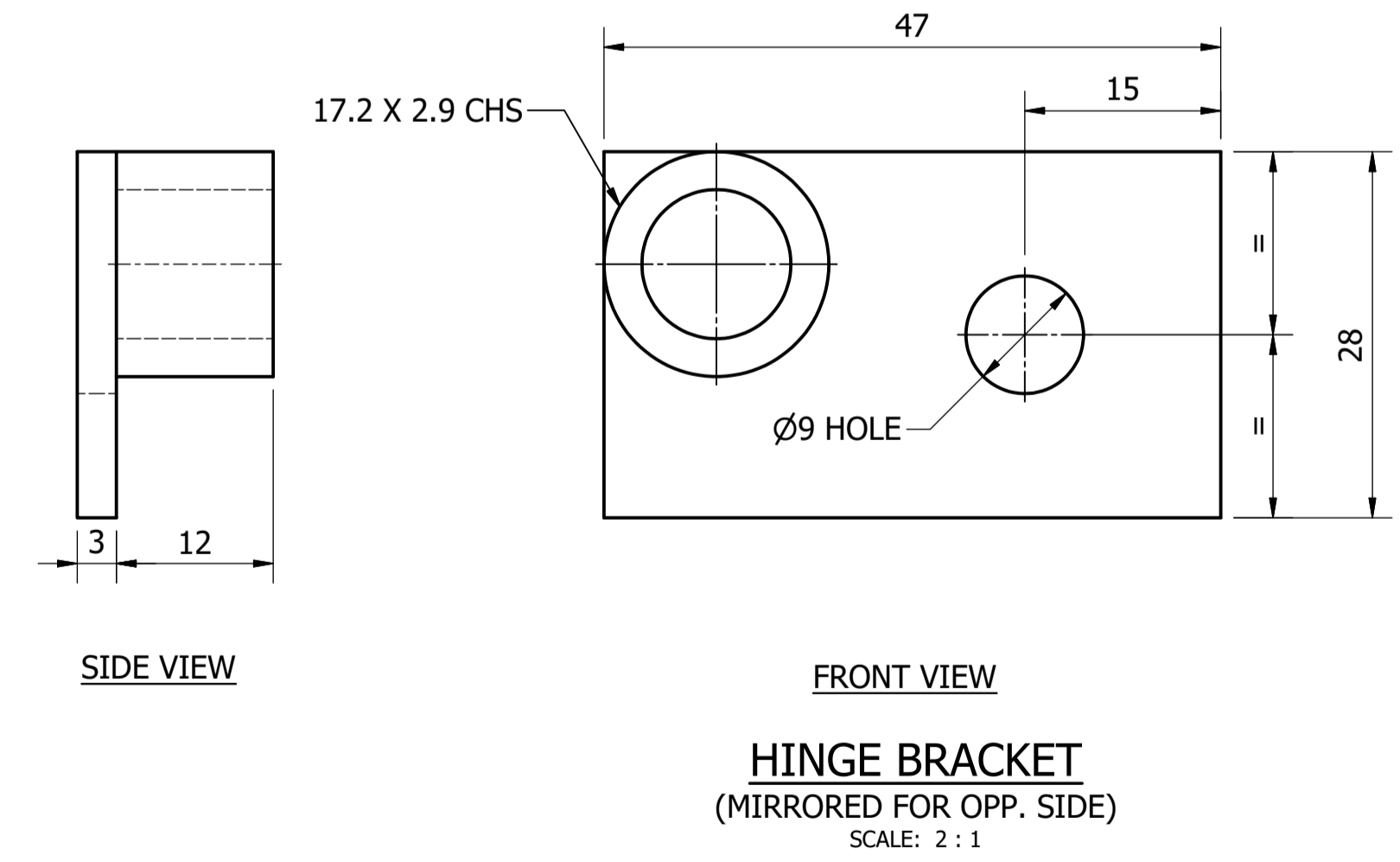
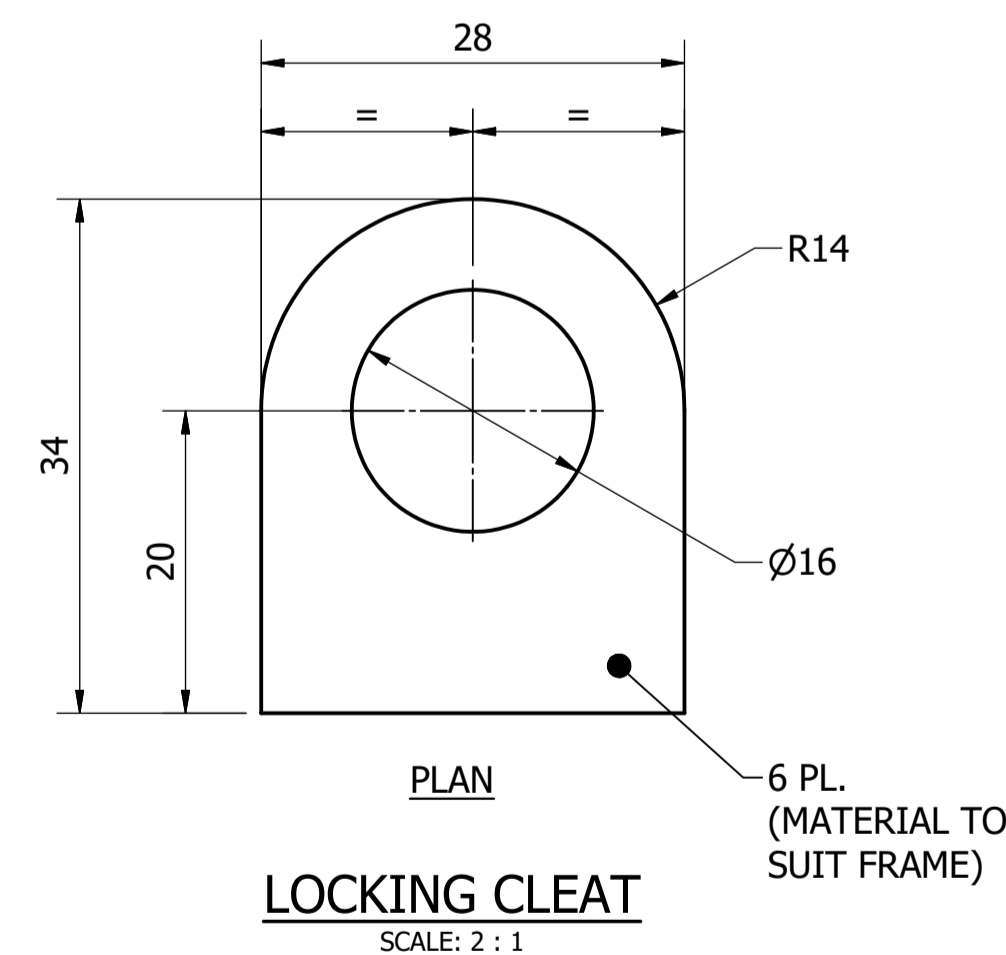
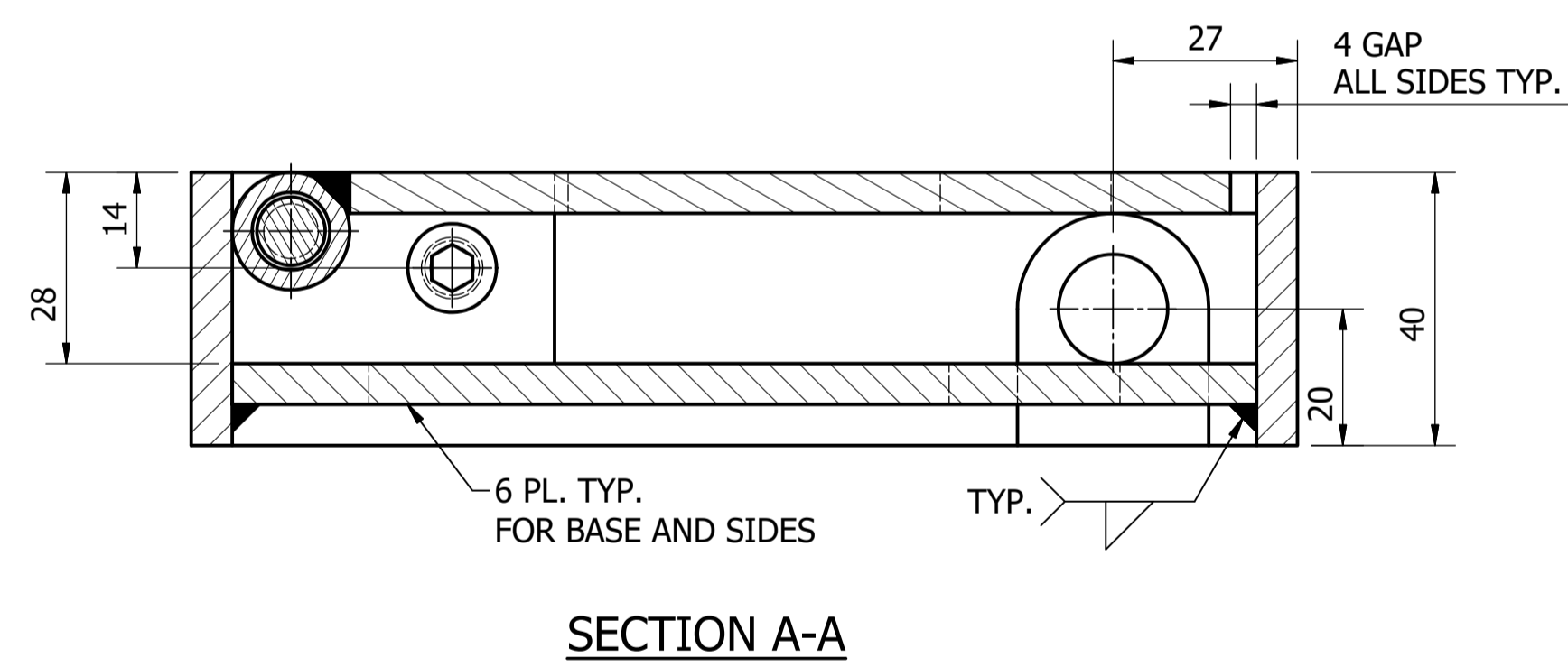
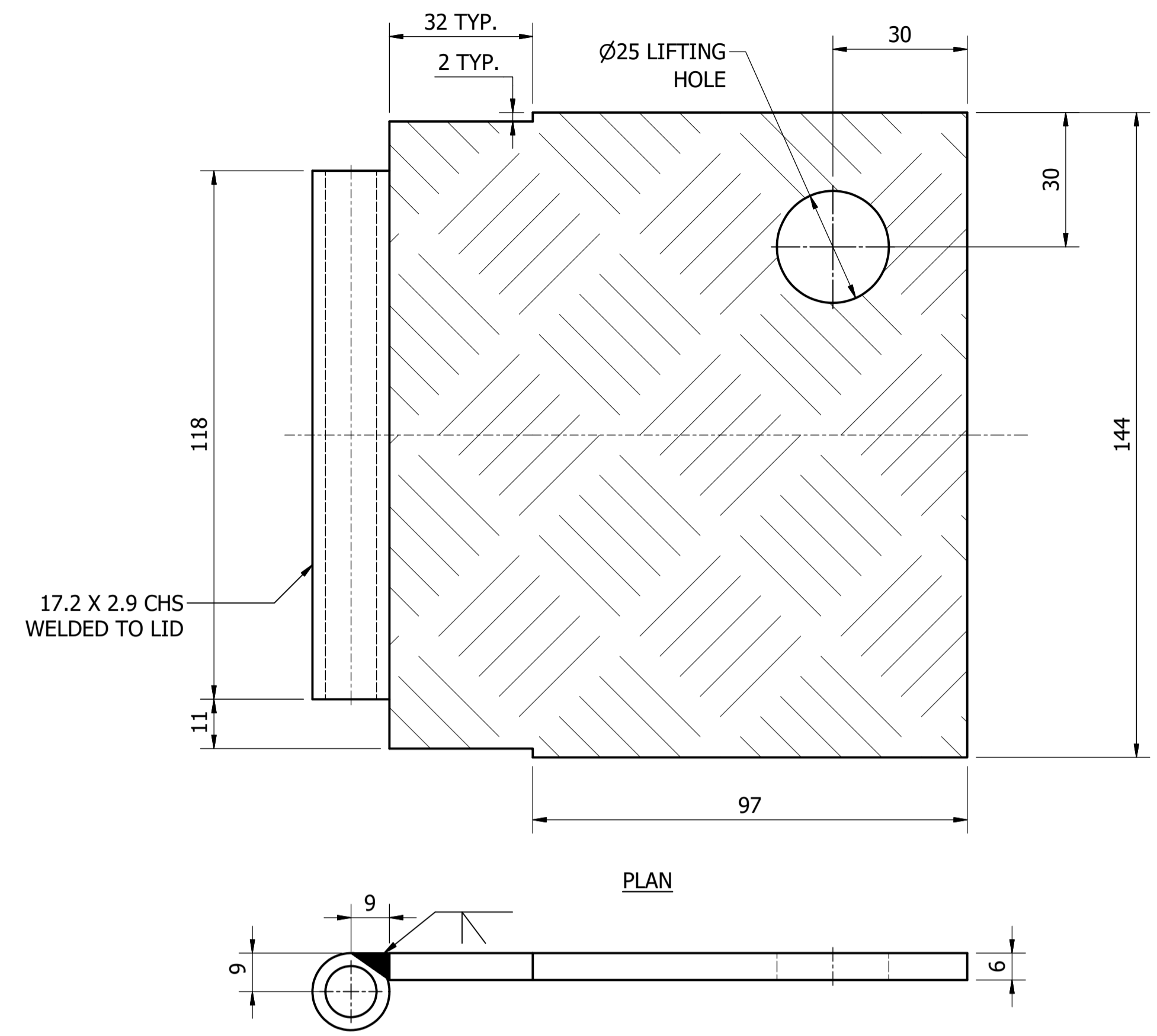
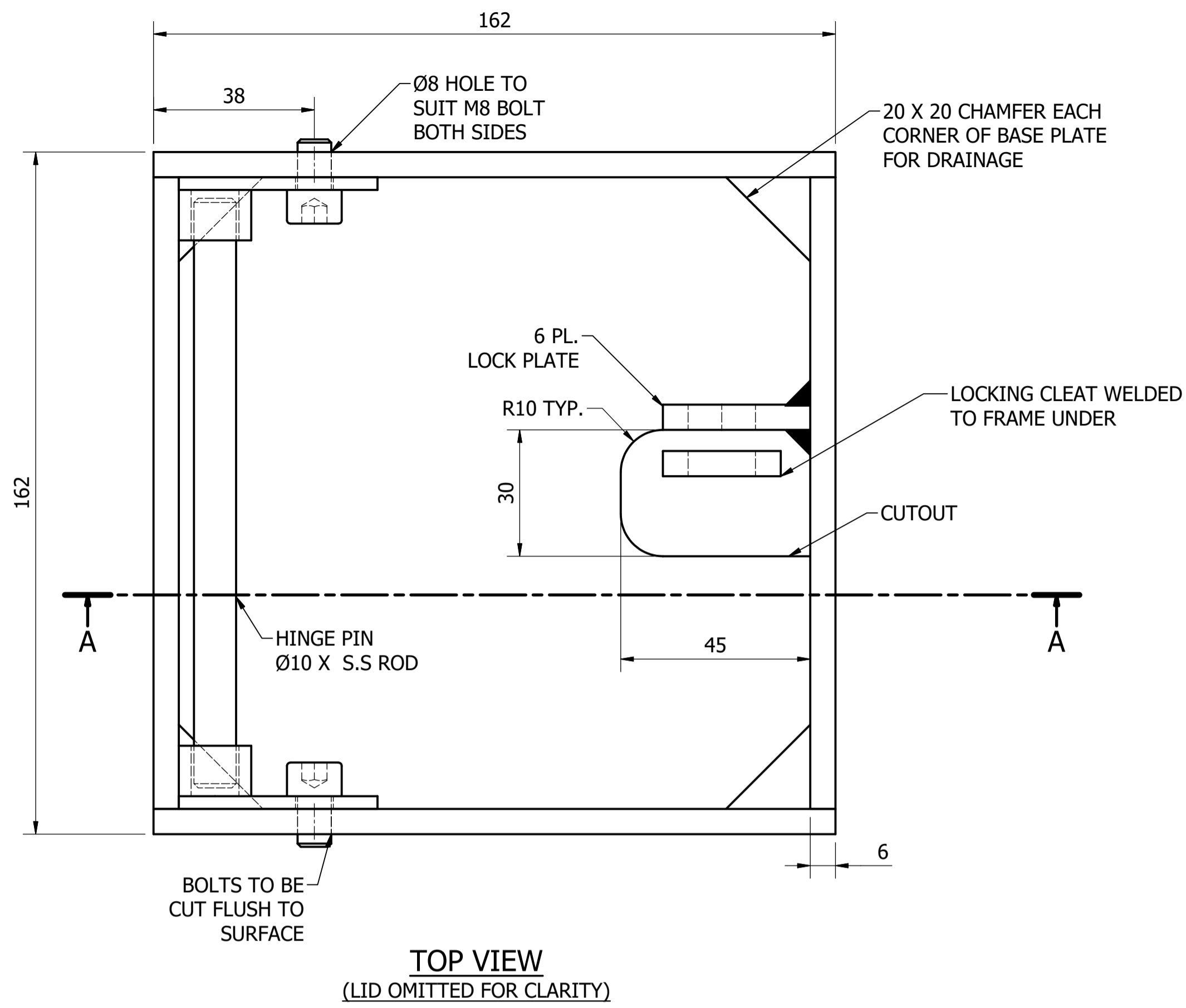
A	INITIAL ISSUE	15/06/2018	S. Essery	K. Danenbergsons	D. Eager
No.	ISSUE	DATE	DRAWN	CHECKED	AUTHORISED
1					
2					
3					
4					
5					

DAM	RES	SPS
BWS	WAT	STP
WTP	SEW	
WPS	REC	
ASSET AREA APPLICABILITY		



STANDARD DRAWING  
ACCESS COVERS - HOT DIP GALVANISED STEEL, HINGED  
LOCK BOX SLIDE BOLT TYPE  
DETAILS

DRAWING STATUS	
Current	
SD-8265-D	
A1	ISSUE A
© Icon Water 2017	



**LOCK BOX**  
**LOCKING PLATE STYLE**  
SCALE: 1 : 1

MATERIAL: CARBON STEEL / STAINLESS STEEL  
COATING: HOT DIP GALVANISED (CARBON STEEL ONLY)  
FINISH COLOUR: N/A  
MASS: 8 kg

ITEM	AMDT.
PN826601	

No.	ISSUE	DATE	DRAWN	CHECKED	AUTHORISED
A	INITIAL ISSUE	15/06/2018	S. Essery	K. Danenbergsons	D. Eager

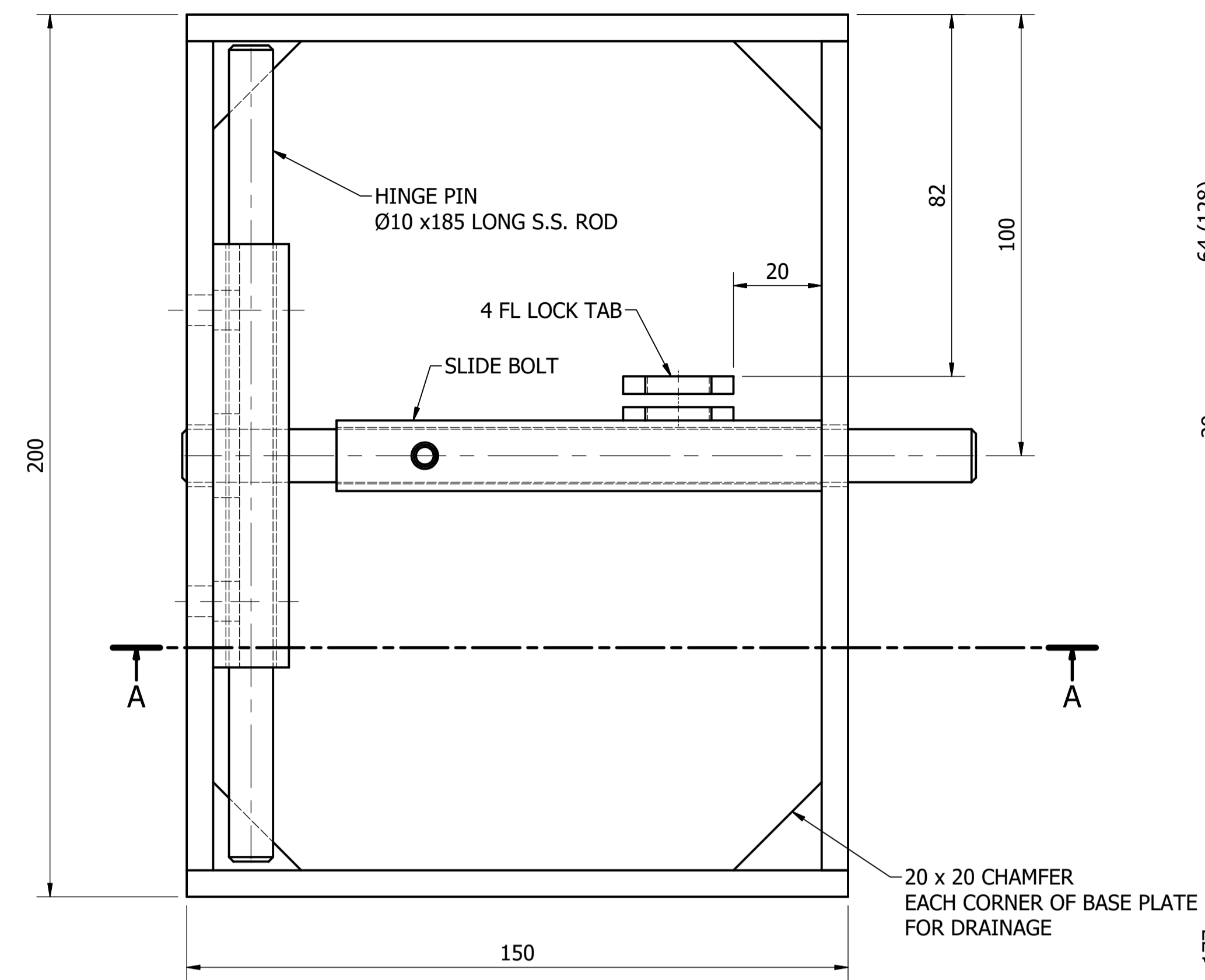
DAM	RES	SPS
BWS	WAT	STP
WTP	SEW	
WPS	REC	

ASSET AREA APPLICABILITY

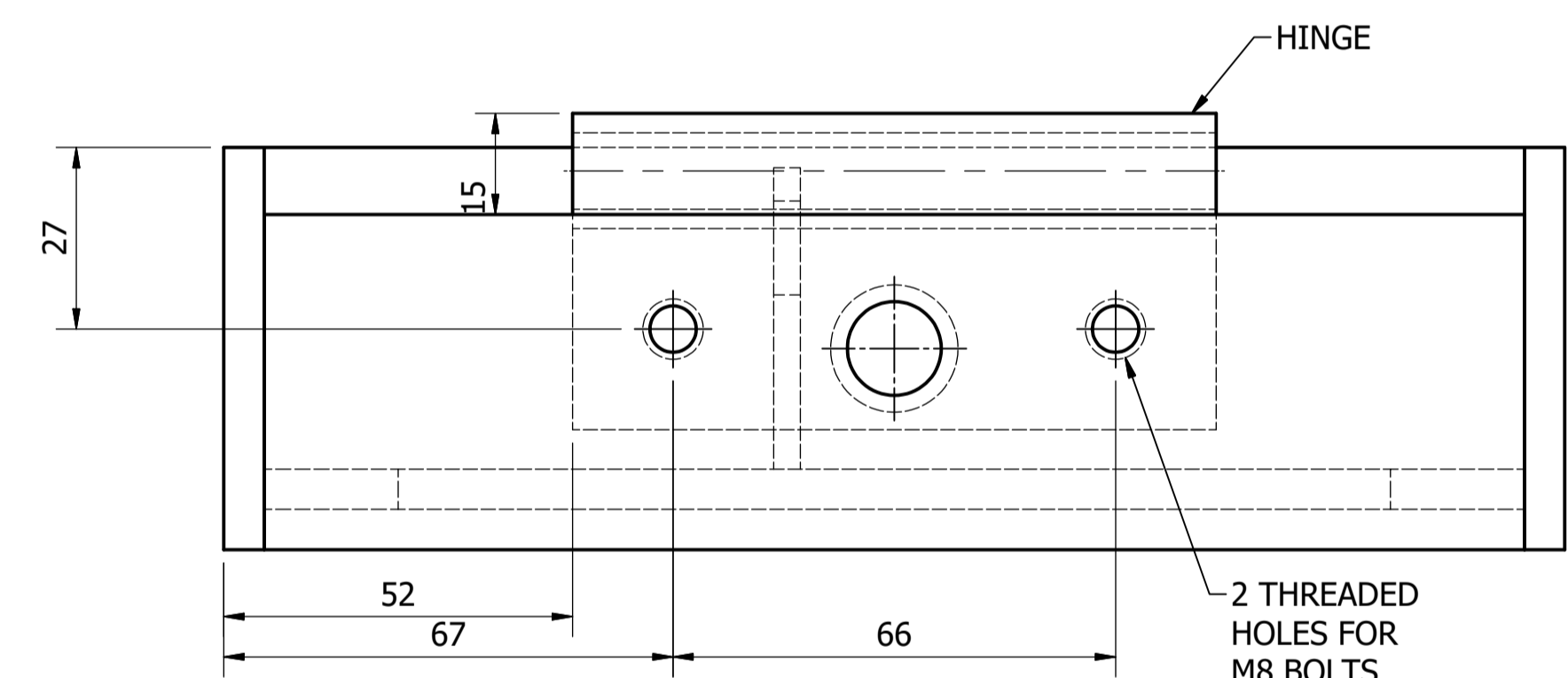


STANDARD DRAWING  
ACCESS COVERS - HOT DIP GALVANISED STEEL, HINGED  
LOCK BOX LOCKING PLATE TYPE  
DETAILS

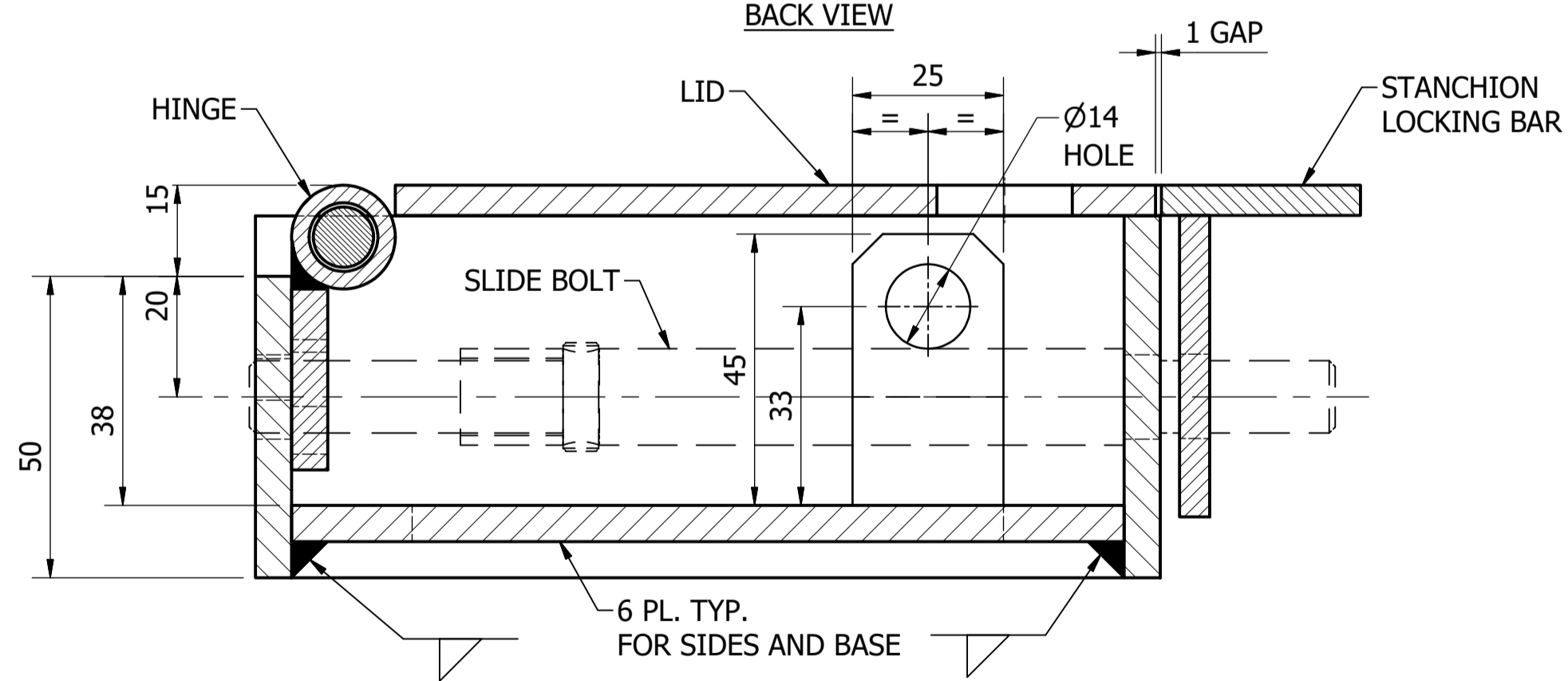
DRAWING STATUS	
Current	
SD-8266-D	
A1	ISSUE A



PLAN  
(LOCKING BAR AND LID OMITTED FOR CLARITY)

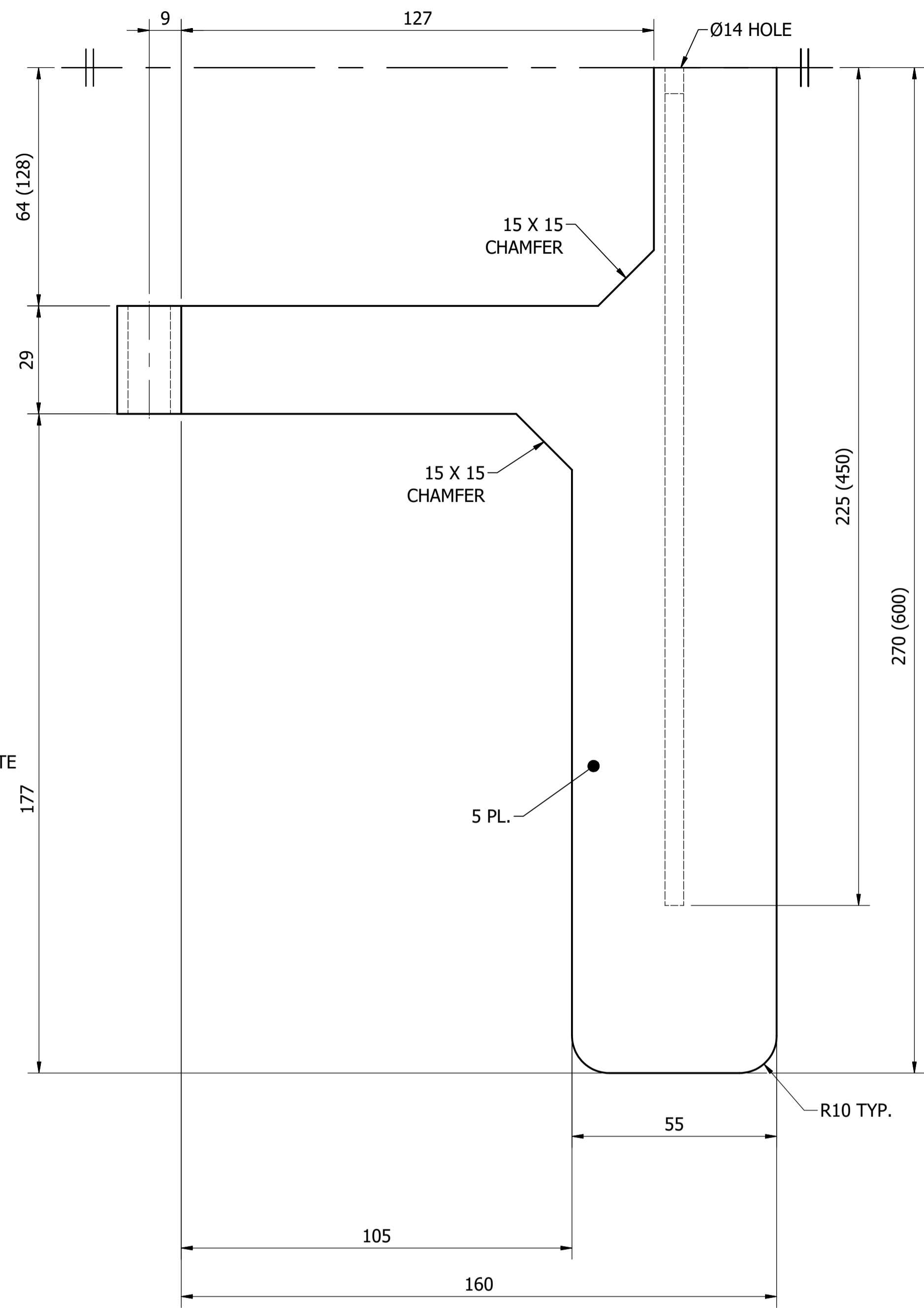


BACK VIEW

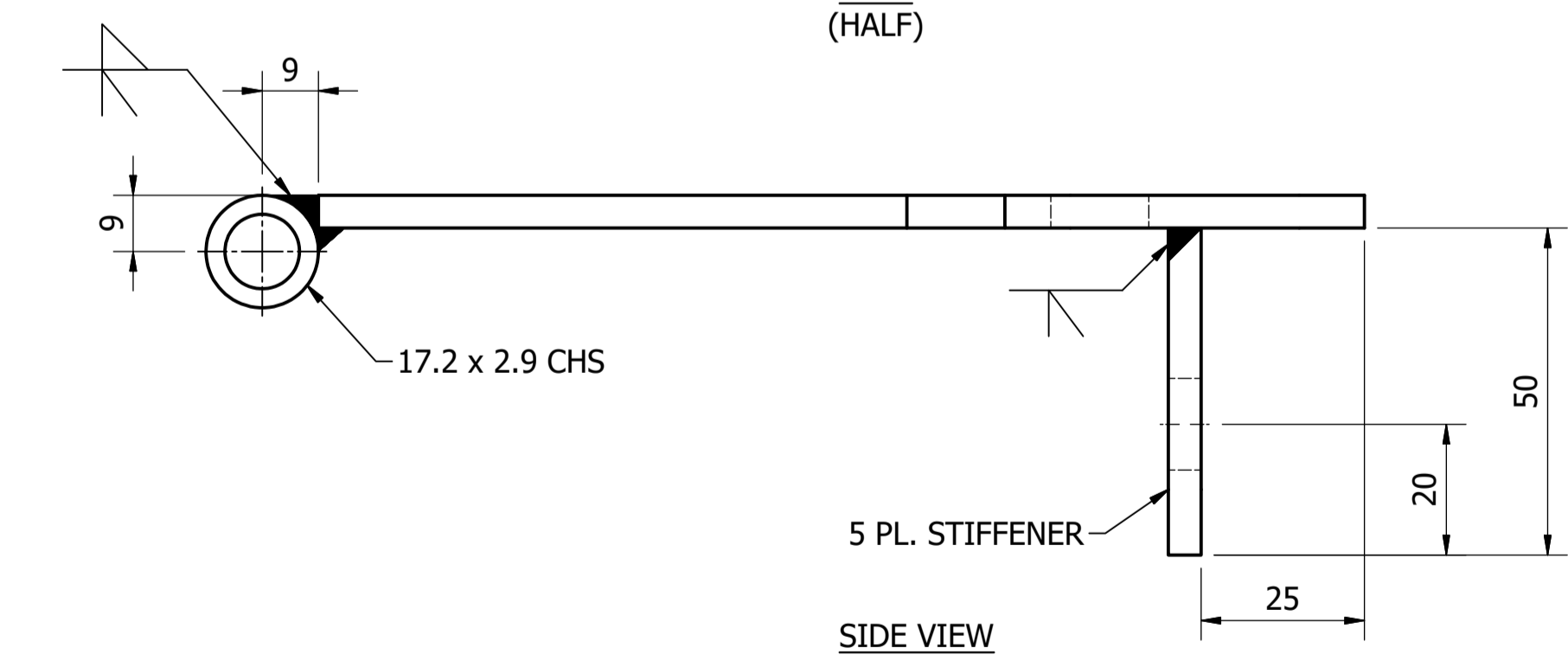


LOCK BOX - STANCHION LOCKING BAR TYPE  
SCALE: 1 : 1

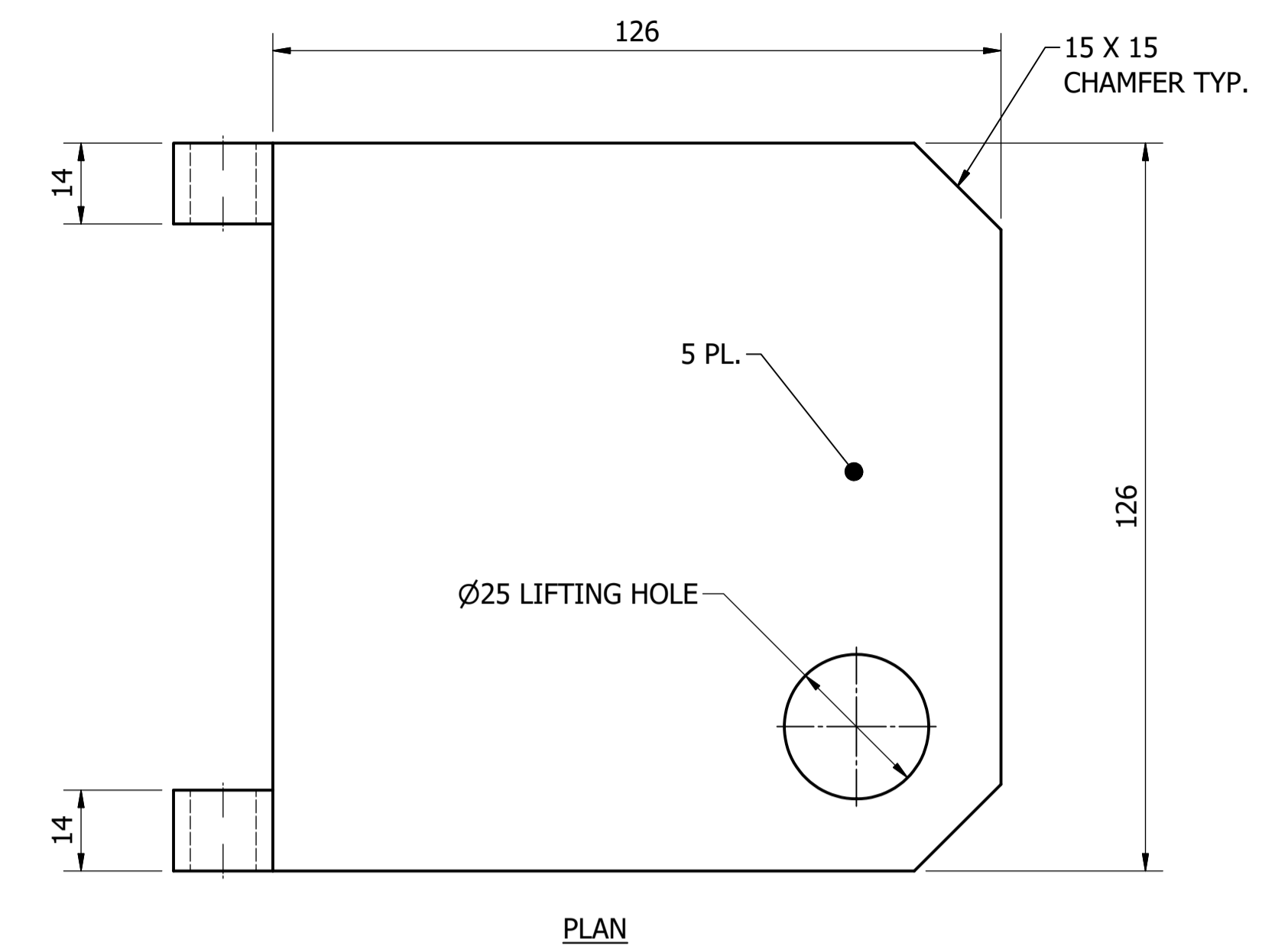
MATERIAL: CARBON STEEL / STAINLESS STEEL  
COATING: HOT DIP GALVANISED (CARBON STEEL PARTS ONLY)  
FINISH COLOUR: N/A  
MASS: 7 kg



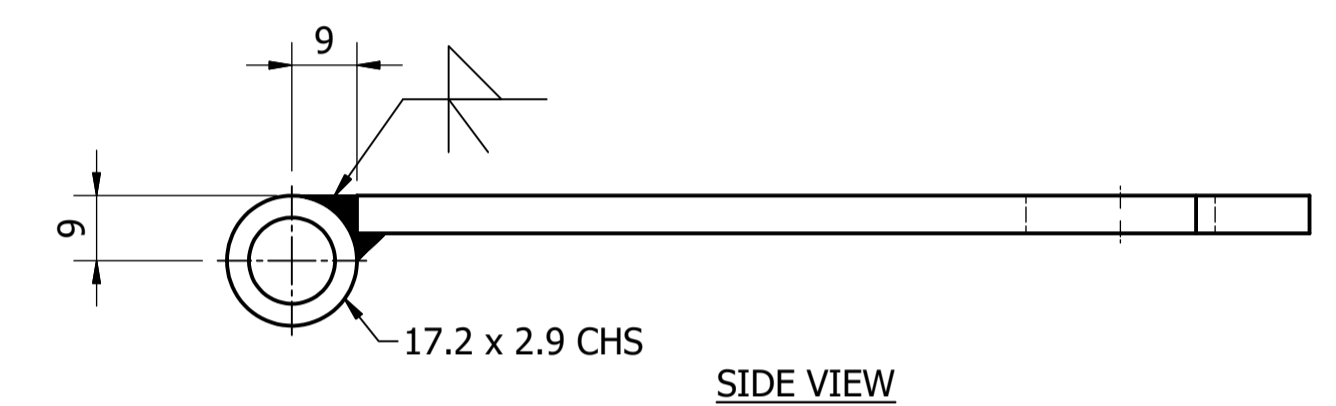
PLAN  
(HALF)



STANCHION LOCKING BAR  
SCALE: 1 : 1

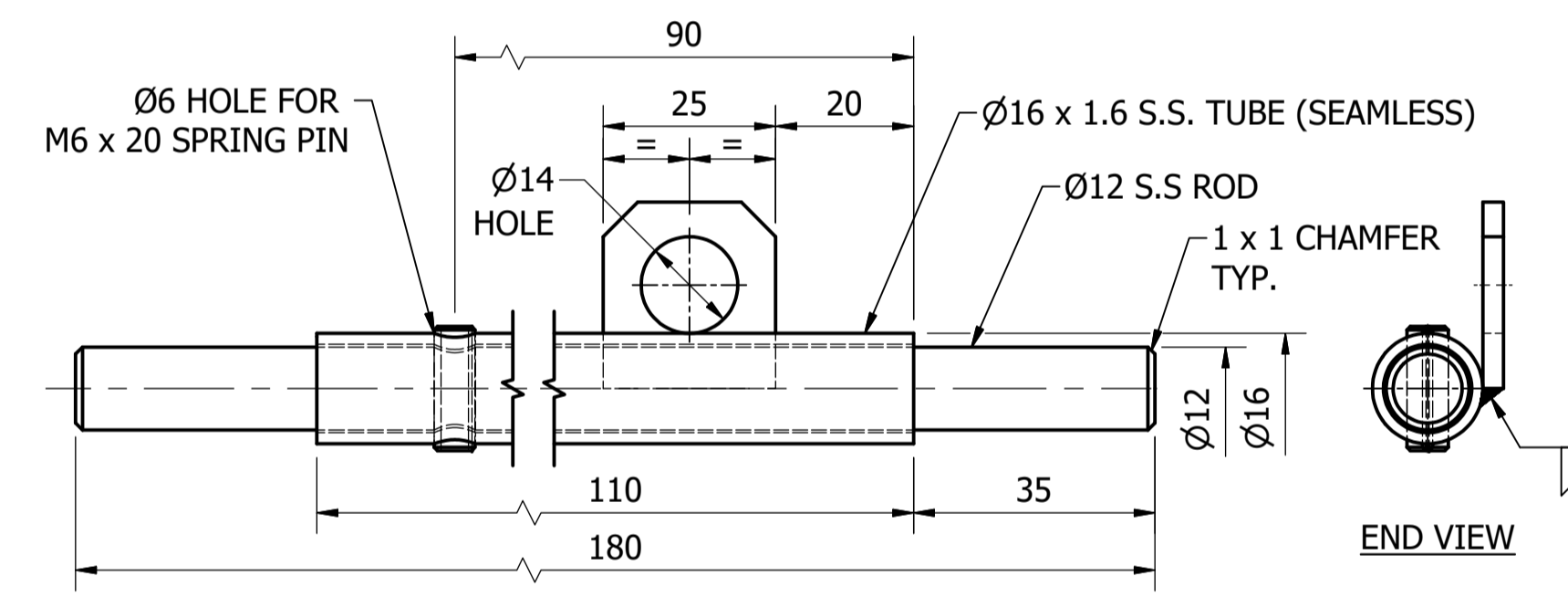


PLAN



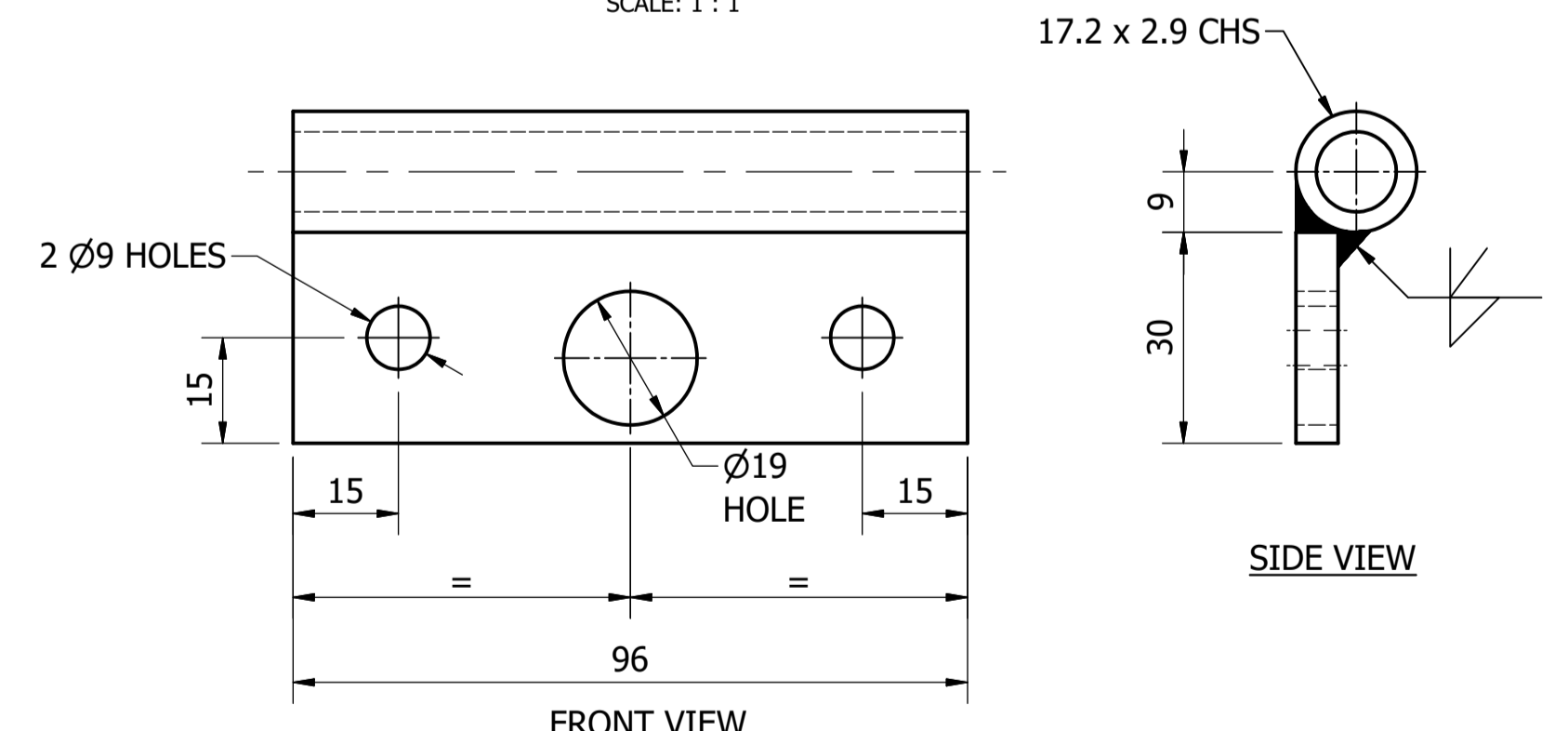
SIDE VIEW

LID  
SCALE: 1 : 1



SIDE VIEW

SLIDE BOLT  
SCALE: 1 : 1



FRONT VIEW

HINGE  
SCALE: 1 : 1

NOTES:

1. FOR GALVANISED STEEL ACCESS COVER NOTES REFER TO DRAWING SD-8230.

ITEM	AMDT.
PN826701	

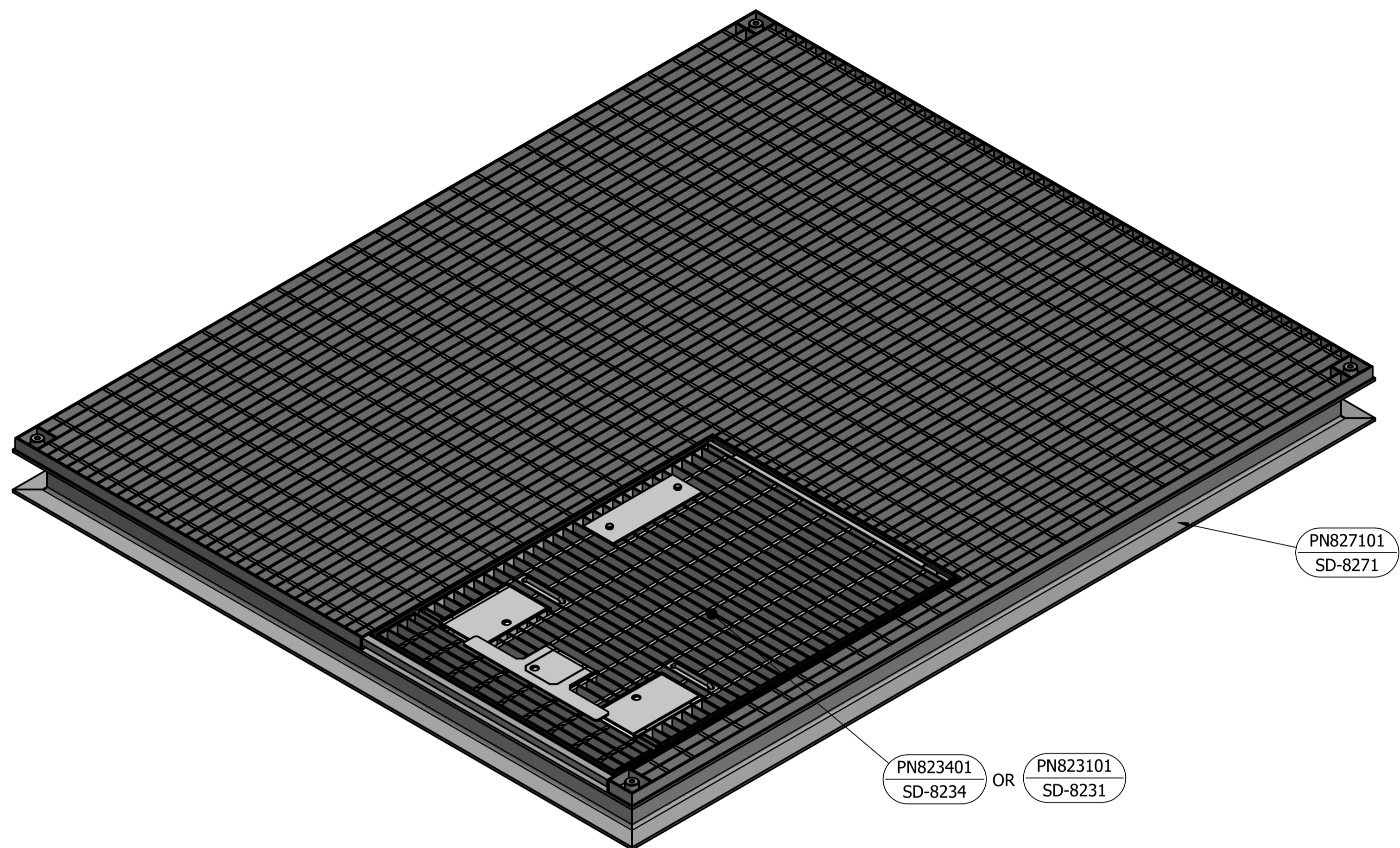
No.	ISSUE	DATE	DRAWN	CHECKED	AUTHORISED
A	INITIAL ISSUE	15/06/2018	M. Matusiak	K. Danenbergsons	D. Eager

DAM	RES	SPS
BWS	WAT	STP
WTP	SEW	
WPS	REC	



STANDARD DRAWING  
ACCESS COVERS - HOT DIP GALVANISED STEEL, HINGED  
LOCK BOX - STANCHION LOCKING BAR TYPE  
DETAILS

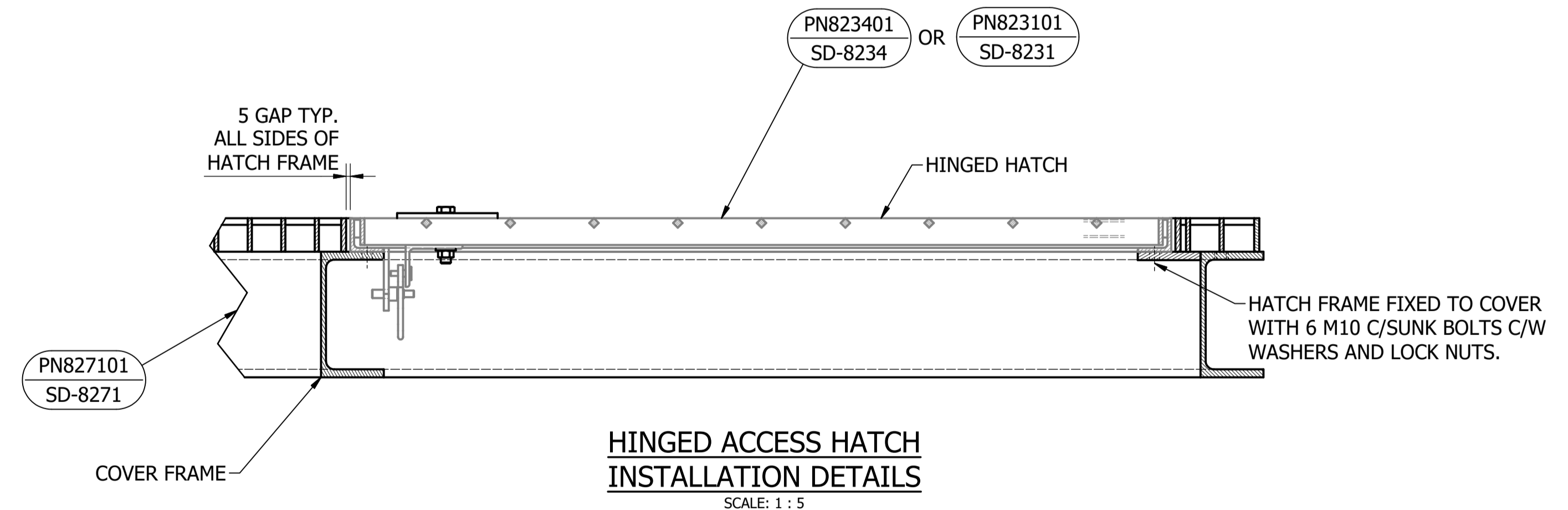
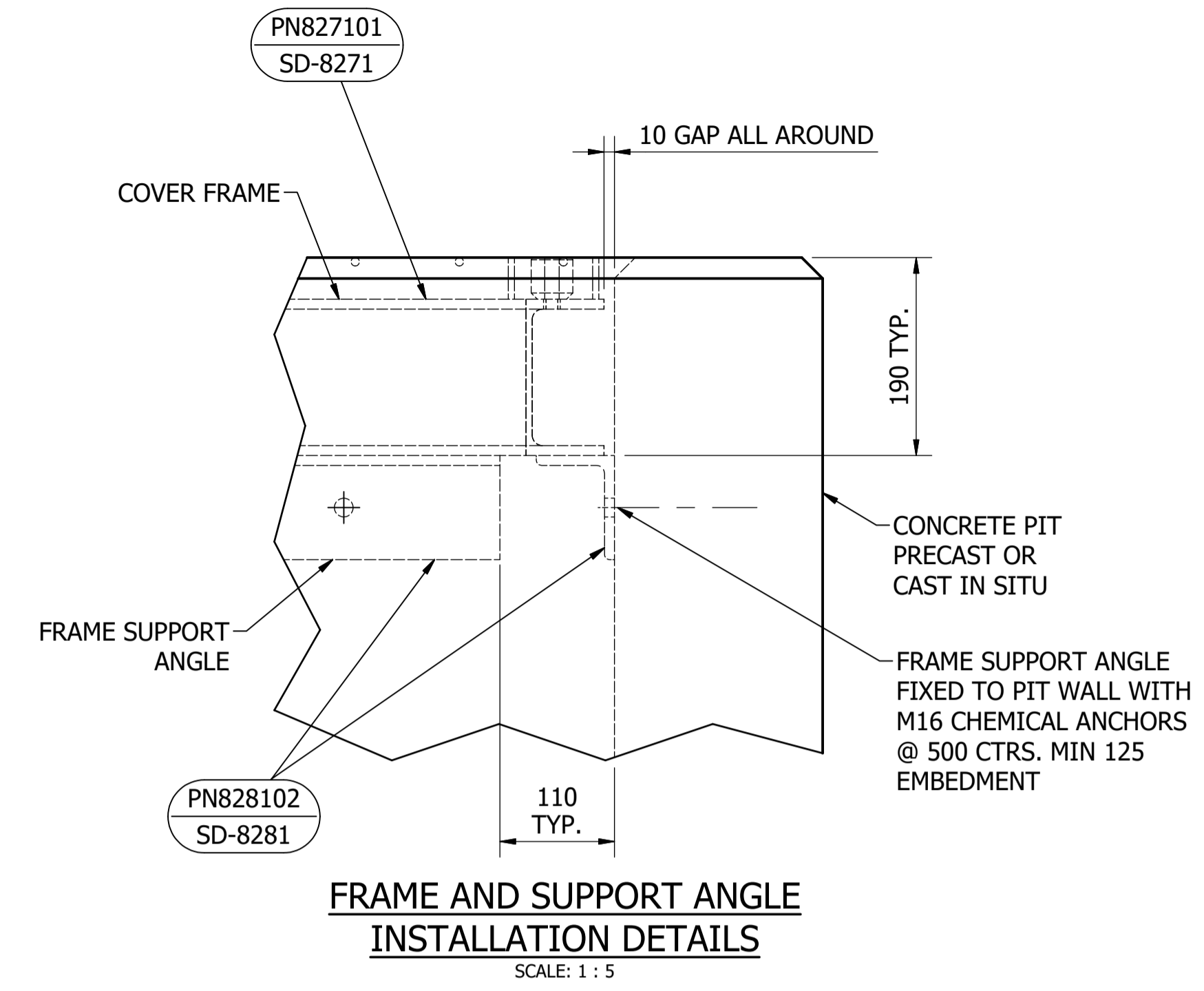
DRAWING STATUS	
Current	
SD-8267-D	
A1	ISSUE A



ISOMETRIC VIEW  
 "DROP-IN" PIT COVER  
 INCL. HINGED ACCESS HATCH  
 SCALE: 1 : 10

MATERIAL: CARBON STEEL  
 COATING: HOT DIP GALVANISED  
 FINISH COLOUR: N/A  
 MASS: 600 kg INCL. HATCH (3 m x 2.5 m)

NOTES:  
 1. THE DESIGNER IS TO DETERMINE THE MAXIMUM WIDTH AND LENGTH OF THE "DROP-IN" PIT COVER NOTING THE REQUIRED DESIGN LOADS SPECIFIC TO THE PROJECT.



ITEM	AMDT.
PN827001	

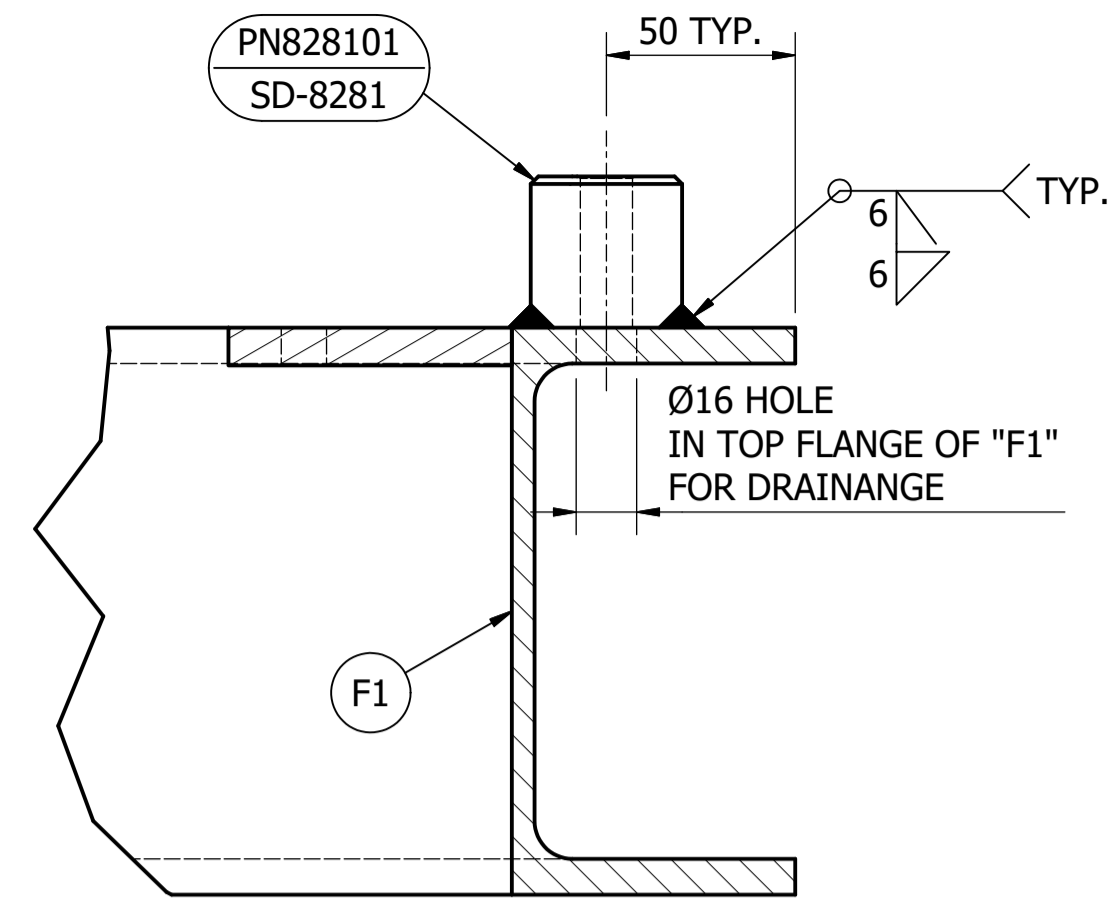
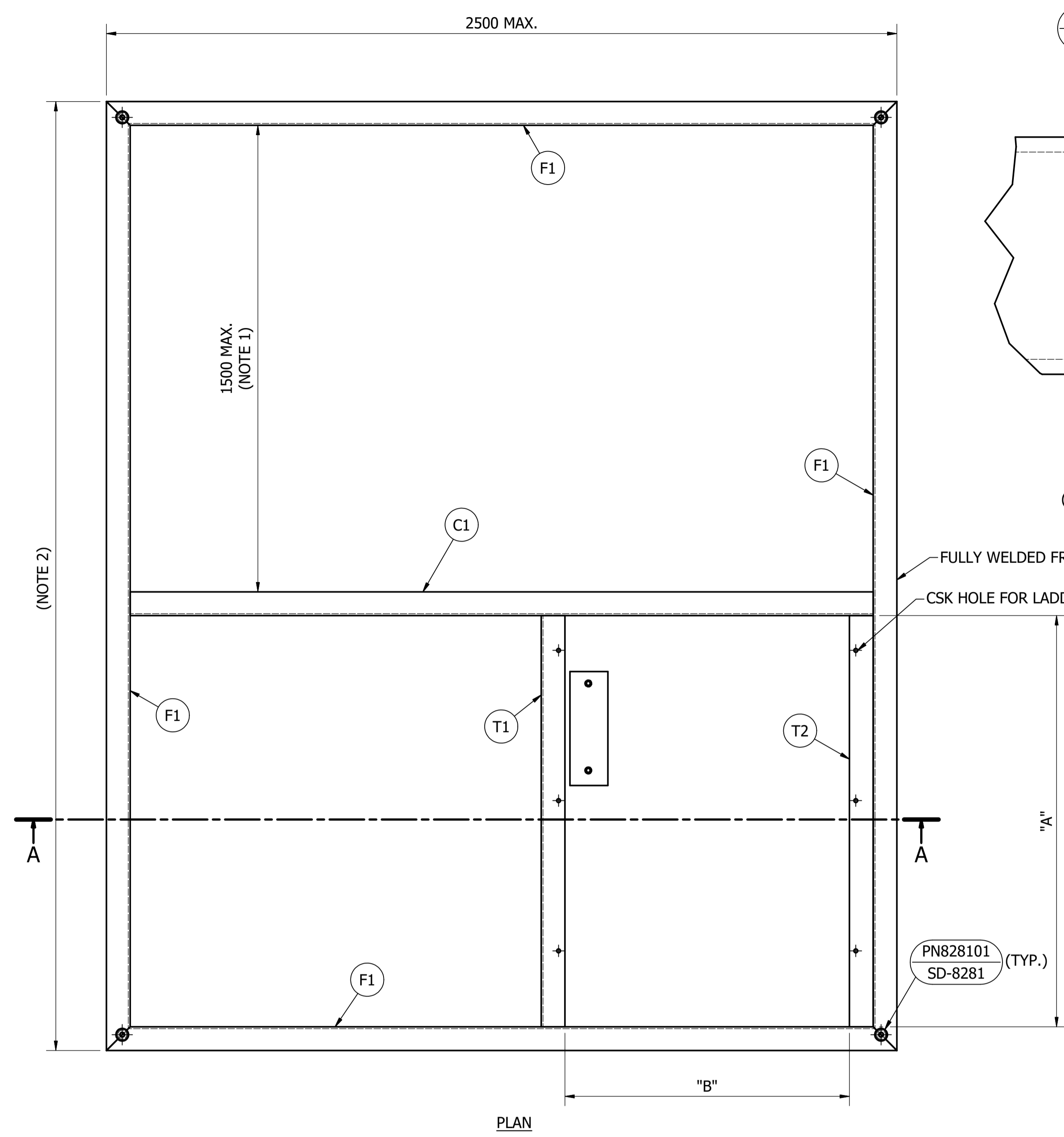
No.	ISSUE	DATE	DRAWN	CHECKED	AUTHORISED
A	INITIAL ISSUE	15/06/2018	M. Matusiak	K. Danenbergsons	D. Eager
B	PIT COVER DIMENSIONS ADDED TO MASS, NOTE 1 ADDED	19/06/2019	S. Essery	K. Danenbergsons	C. Patrick

DAM	<input checked="" type="checkbox"/>	RES	<input checked="" type="checkbox"/>	SPS	
BWS	<input checked="" type="checkbox"/>	WAT	<input checked="" type="checkbox"/>	STP	
WTP	<input checked="" type="checkbox"/>	SEW			
WPS	<input checked="" type="checkbox"/>	REC	<input checked="" type="checkbox"/>		
ASSET AREA APPLICABILITY					

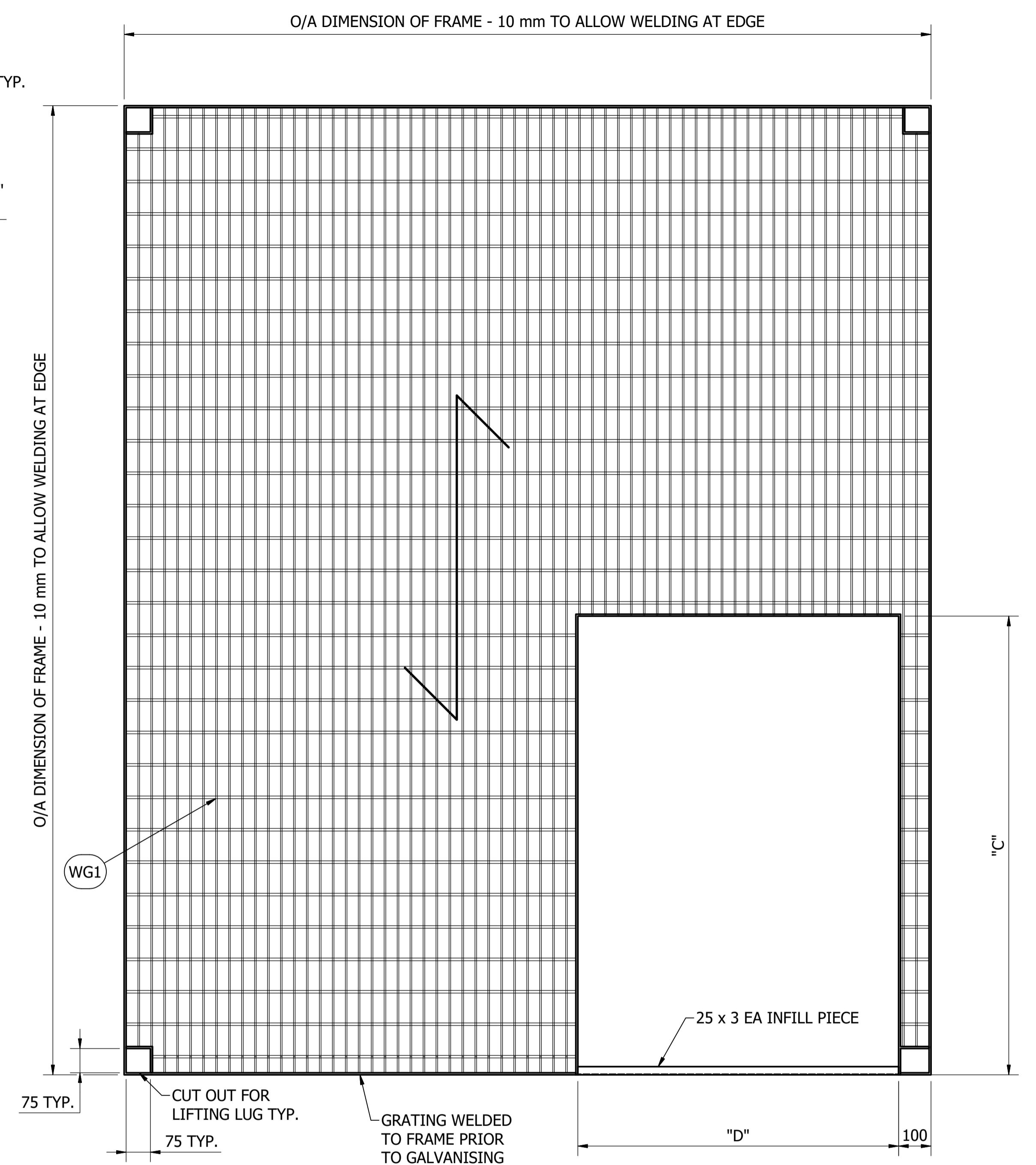


STANDARD DRAWING  
 ACCESS COVERS - HOT DIP GALVANISED STEEL  
 DROP IN FRAME  
 TYPICAL ARRANGEMENT

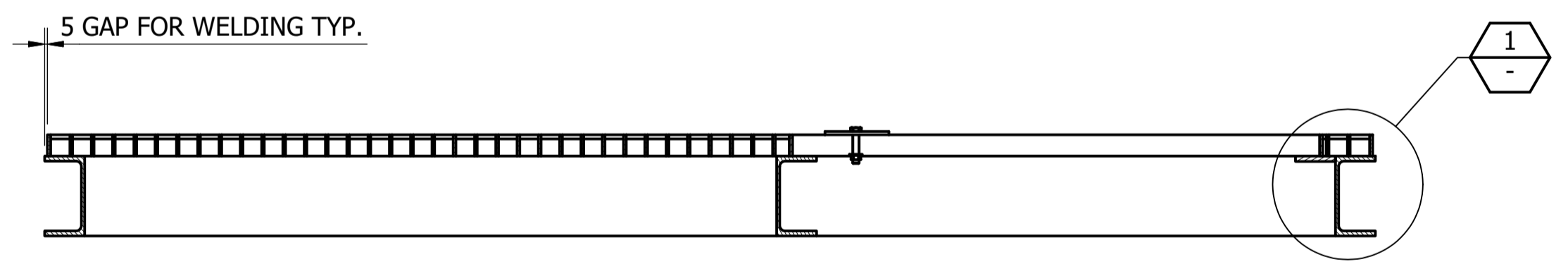
DRAWING STATUS		Current
A1		SD-8270-C
		© Icon Water 2017



**DETAIL 1**  
**EYE BOLT RECIEVER**  
**FOR LIFTING**  
 (GRATING OMMITED FOR CLARITY)  
 SCALE: 1 : 2



**PLAN**  
**GRATING PANNEL**  
 SCALE: 1 : 10



**SECTION A-A**  
**"DROP IN" PIT COVER - FRAME**  
 (GRATING OMMITED FOR CLARITY  
 REFER GRATING DETAIL)  
 SCALE: 1 : 10  
 MATERIAL: CARBON STEEL  
 COATING: HOT DIP GALVANISED  
 FINISH COLOUR: N/A  
 MASS: 550 kg W/O HATCH

MEMBER SCHEDULE		
MARK	DESCRIPTION	SECTION
F1	OUTER FRAME	150 PFC
C1	CROSS MEMBER	150 PFC
T1	HATCH TRIMMER	150 PFC
T2	HATCH TRIMMER	75 x 10 FL
WG1	WEBFORGE GRATING	C405MPU

DIMENSION VARIABLES		
DIMENSION	INCLINED LADDER	VERTICAL LADDER
A	1300	1000
B	900	900
C	1415	1115
D	990	990

**NOTES:**

1. MAXIMUM SPAN TO SUIT "WEBFORGE" C405 GRATING, IF DIM IS >1500 mm ADDITIONAL CROSS MEMBER(S) REQUIRED.
2. MAXIMUM LENGTH TO BE DETERMINED BY DESIGN ENGINEER.
3. LADDER HATCH FIXING HOLE LOCATIONS ARE DEPENDED ON HATCH TYPE. LOCATIONS TO BE CONFIRMED PRIOR TO FABRICATION.

ITEM	AMDT.
PN827101	

No.	ISSUE	DATE	DRAWN	CHECKED	AUTHORISED
A	INITIAL ISSUE	15/06/2018	M. Matusiak	K. Danenbergsons	D. Eager

DAM	<input checked="" type="checkbox"/>	RES	<input checked="" type="checkbox"/>	SPS	<input type="checkbox"/>
BWS	<input checked="" type="checkbox"/>	WAT	<input checked="" type="checkbox"/>	STP	<input type="checkbox"/>
WTP	<input checked="" type="checkbox"/>	SEW	<input checked="" type="checkbox"/>		<input type="checkbox"/>
WPS	<input checked="" type="checkbox"/>	REC	<input checked="" type="checkbox"/>		<input type="checkbox"/>



STANDARD DRAWING  
 ACCESS COVERS - HOT DIP GALVANISED STEEL  
 DROP IN FRAME  
 DETAILS

DRAWING STATUS		Current
SD-8271-C		ISSUE A
A1	© Icon Water 2017	

1 2 3 4 5 6 7 8 9 10 11 12

PARTS LIST		
PART NUMBER	DESCRIPTION	REFERENCE
PN827401	GRATED HATCH FRAME	SD-8274
PN827501	GRATED HATCH	SD-8275
PN827502	GRATED HATCH W/ KEEPER PLATE RIGHT	SD-8275
PN827503	GRATED HATCH W/ KEEPER PLATE LEFT	SD-8275
PN827504	GRATED HATCH W/ KEEPER PLATE LEFT AND LOCKING LUG	SD-8275
PN828103	CENTRE SUPPORT	SD-8281
PN826302	FOLD FLAT HINGE	SD-8263

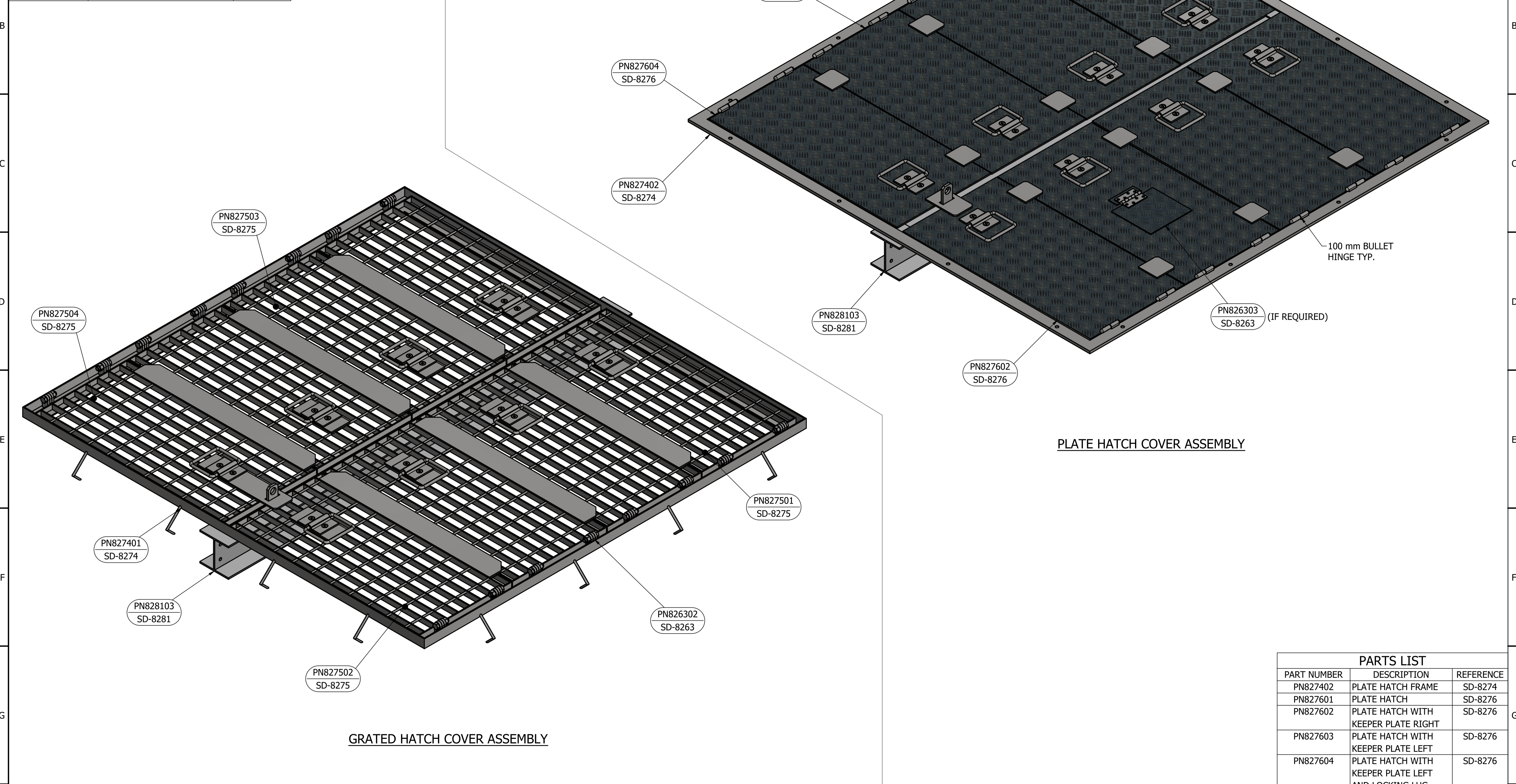


PLATE HATCH COVER ASSEMBLY

GRATED HATCH COVER ASSEMBLY

PARTS LIST		
PART NUMBER	DESCRIPTION	REFERENCE
PN827402	PLATE HATCH FRAME	SD-8274
PN827601	PLATE HATCH	SD-8276
PN827602	PLATE HATCH WITH KEEPER PLATE RIGHT	SD-8276
PN827603	PLATE HATCH WITH KEEPER PLATE LEFT	SD-8276
PN827604	PLATE HATCH WITH KEEPER PLATE LEFT AND LOCKING LUG	SD-8276
PN828103	CENTRE SUPPORT	SD-8281
PN826303	INSPECTION HATCH	SD-8263

ITEM	AMDT.
PN827301	

ITEM	AMDT.
PN827302	

No.	ISSUE	DATE	DRAWN	CHECKED	AUTHORISED
A	INITIAL ISSUE	15/06/2018	S. Essery	K. Danenbergsons	D. Eager

DAM	<input checked="" type="checkbox"/>	RES	<input checked="" type="checkbox"/>	SPS	<input checked="" type="checkbox"/>
BWS	<input checked="" type="checkbox"/>	WAT	<input checked="" type="checkbox"/>	STP	<input checked="" type="checkbox"/>
WTP	<input checked="" type="checkbox"/>	SEW	<input checked="" type="checkbox"/>		
WPS	<input checked="" type="checkbox"/>	REC	<input checked="" type="checkbox"/>		

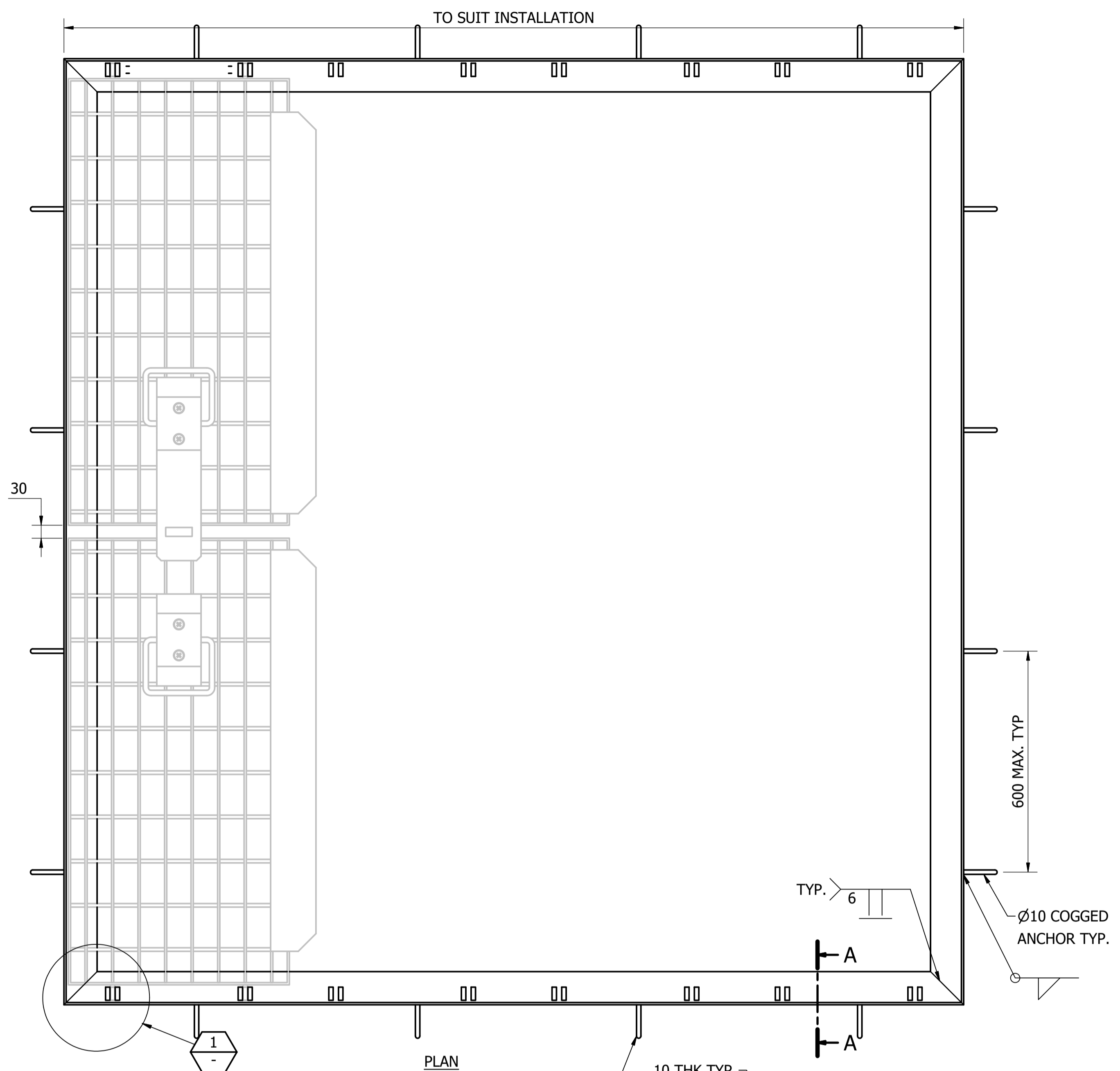


STANDARD DRAWING  
ACCESS COVERS - HOT DIP GALVANISED STEEL  
FIXED FRAME (FOLD FLAT) COVER  
TYPICAL ARRANGEMENTS

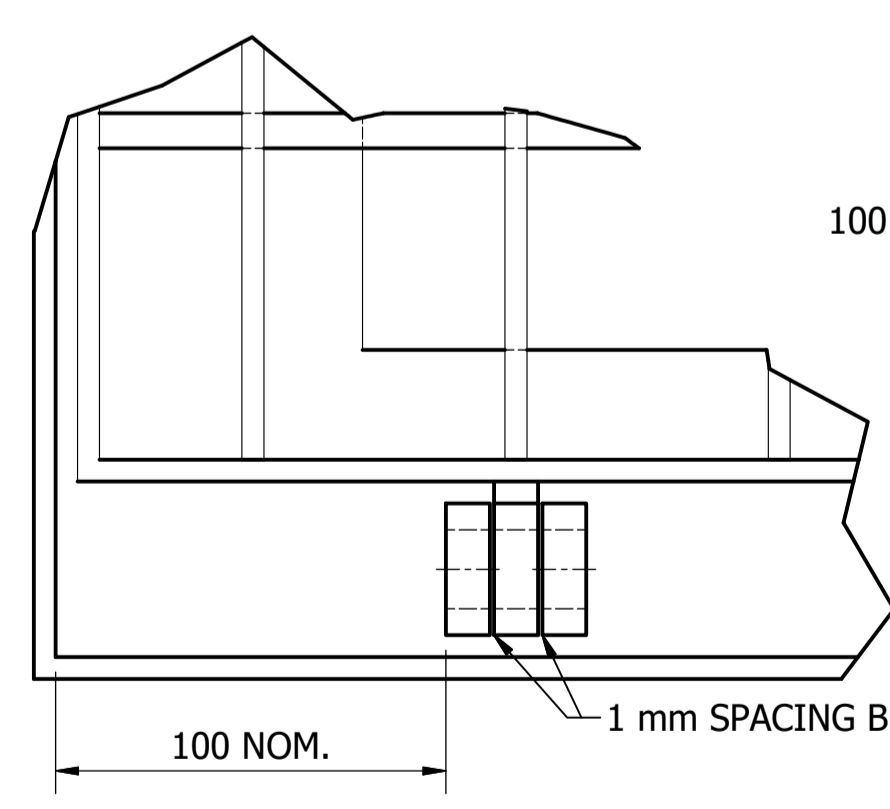
DRAWING STATUS  
**Current**  
**SD-8273-C**  
© Icon Water 2017

1 2 3 4 5 6 7 8 9 10 11 12

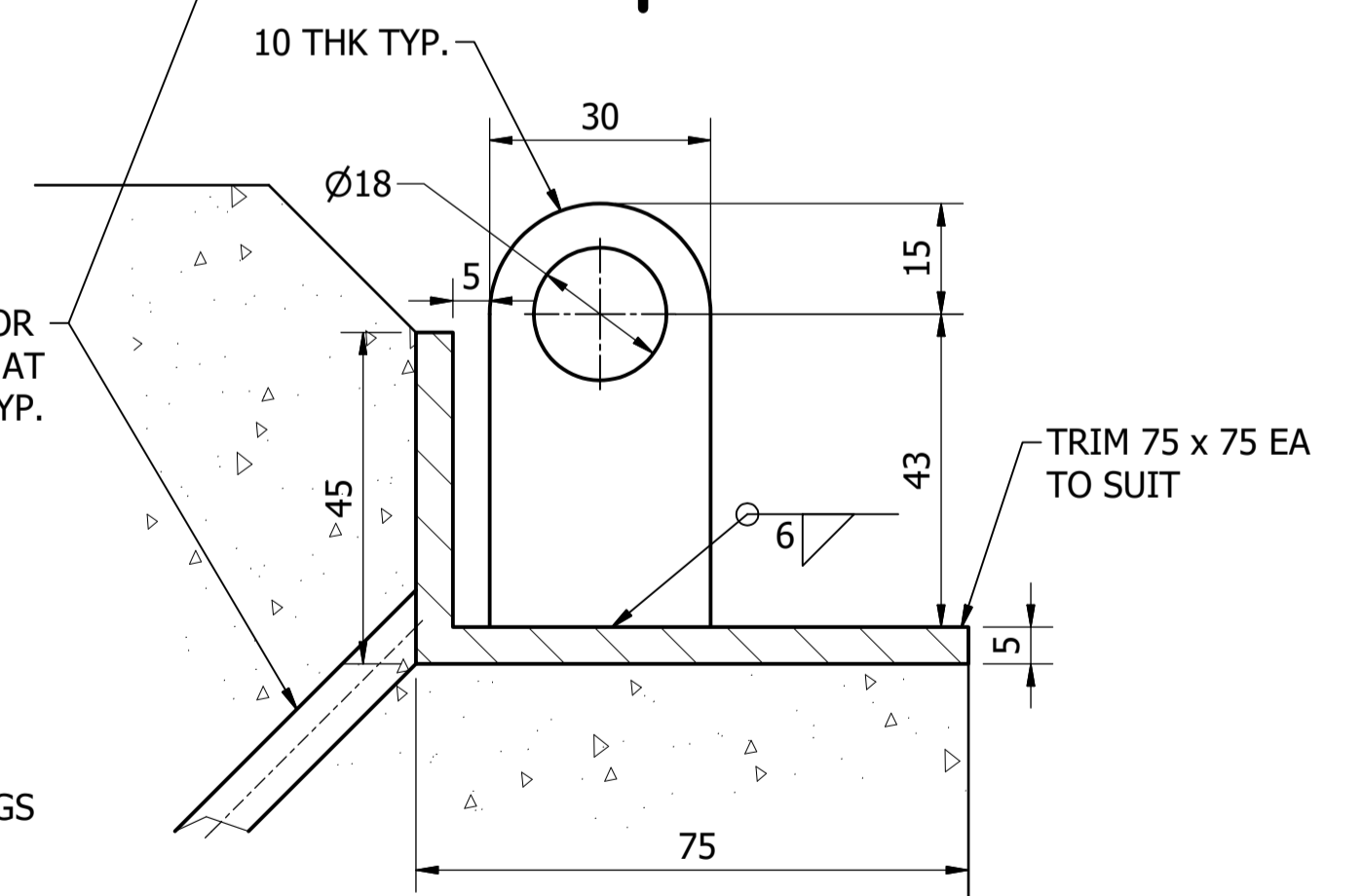




PLAN



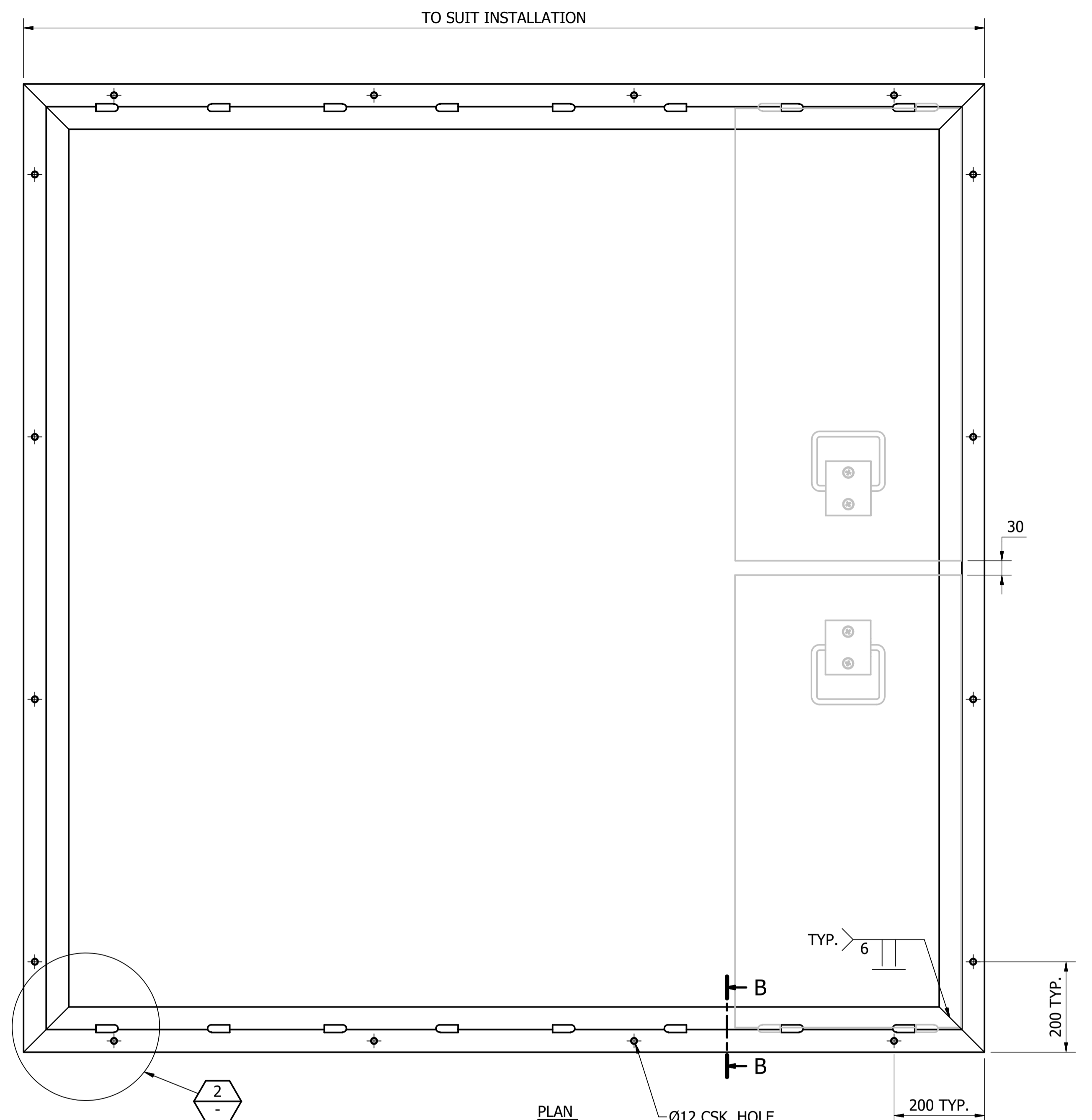
DETAIL 1



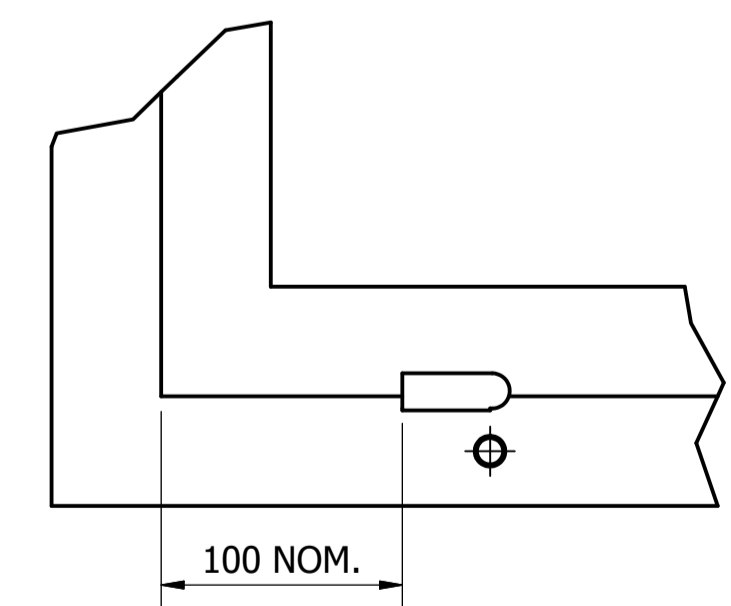
SECTION A-A

HINGE TAB

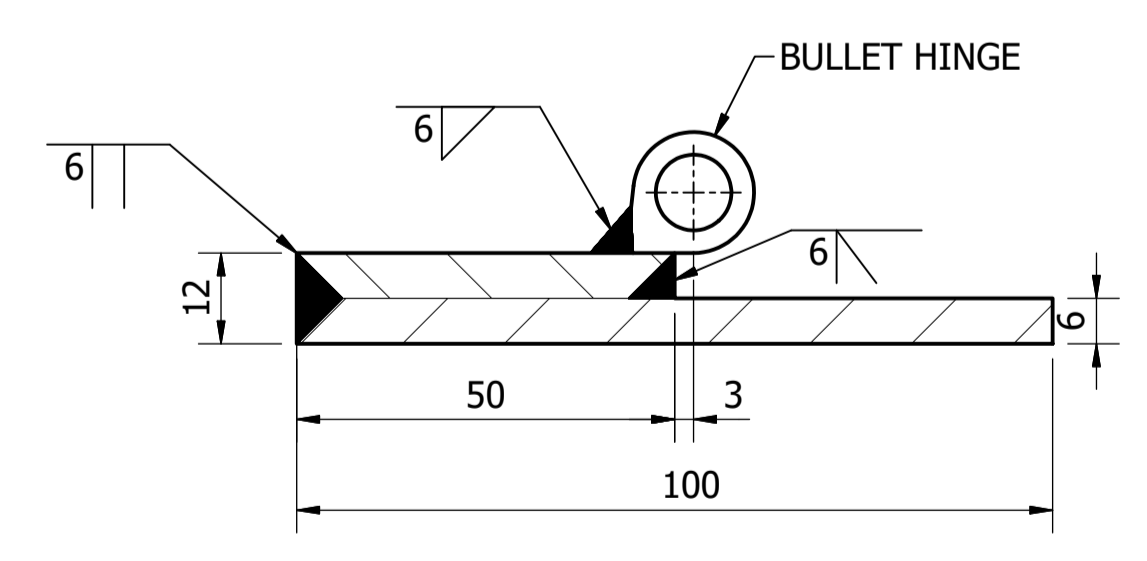
GRATE STYLE HATCH FRAME



PLAN



DETAIL 2



SECTION B-B

PLATE STYLE HATCH FRAME

ITEM	AMDT.
PN827401	

No.	ISSUE	DATE	DRAWN	CHECKED	AUTHORISED
A	INITIAL ISSUE	15/06/2018	S. Essery	K. Danenbergson	D. Eager

DAM	RES	SPS
BWS	WAT	STP
WTP	SEW	
WPS	REC	

ITEM	AMDT.
PN827402	

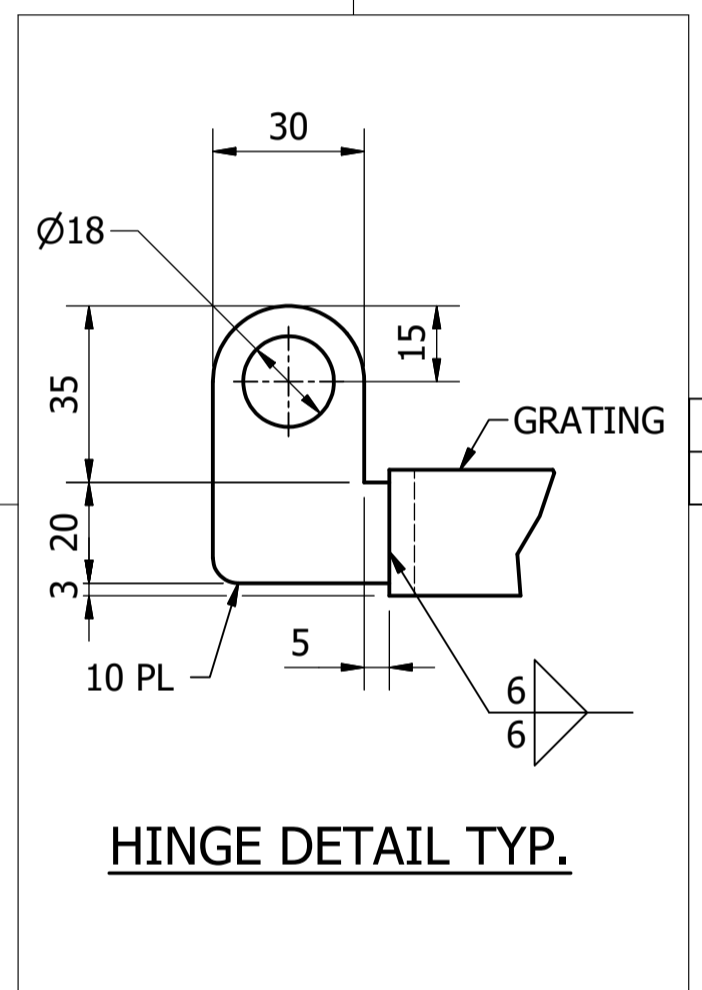
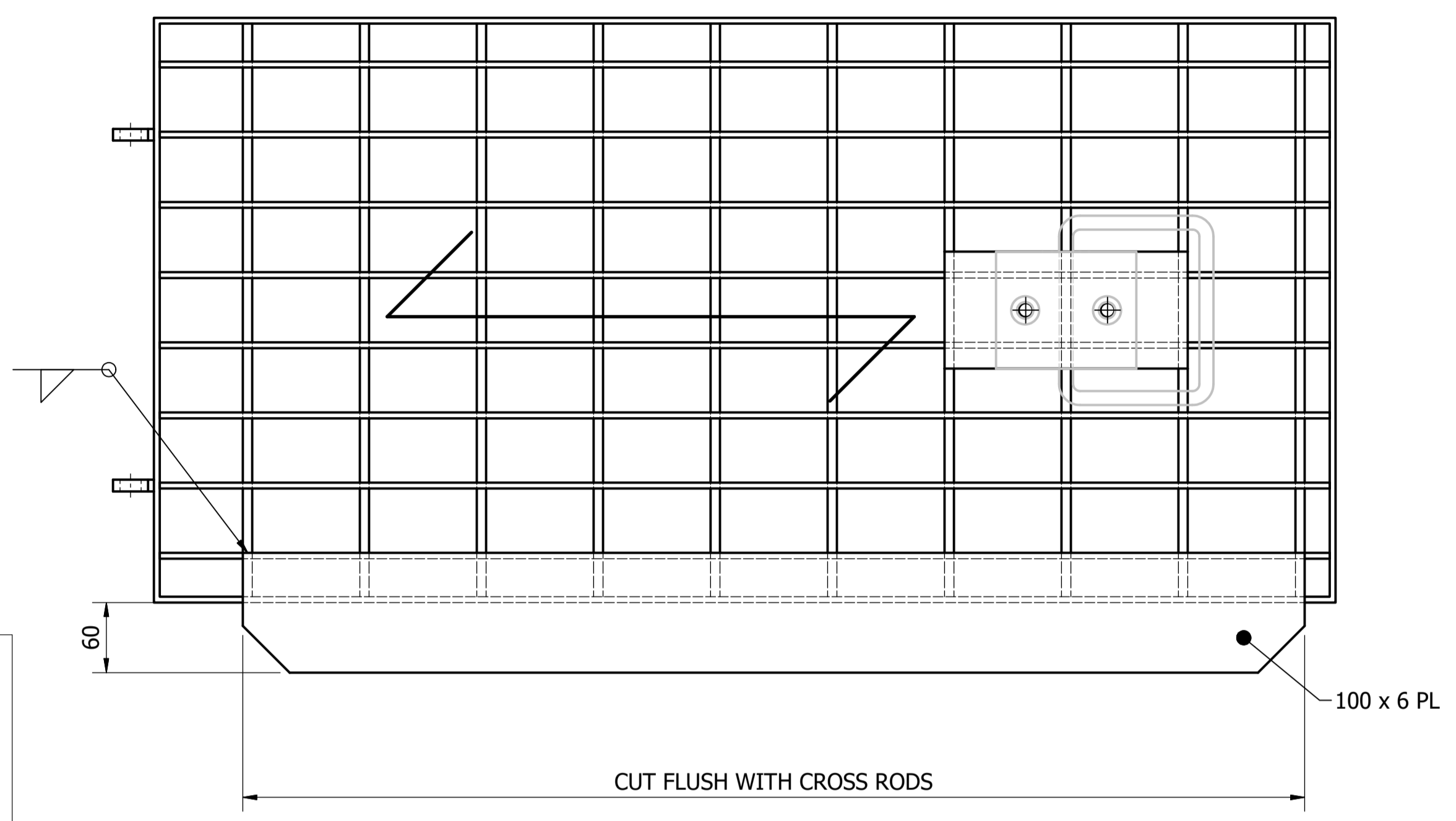
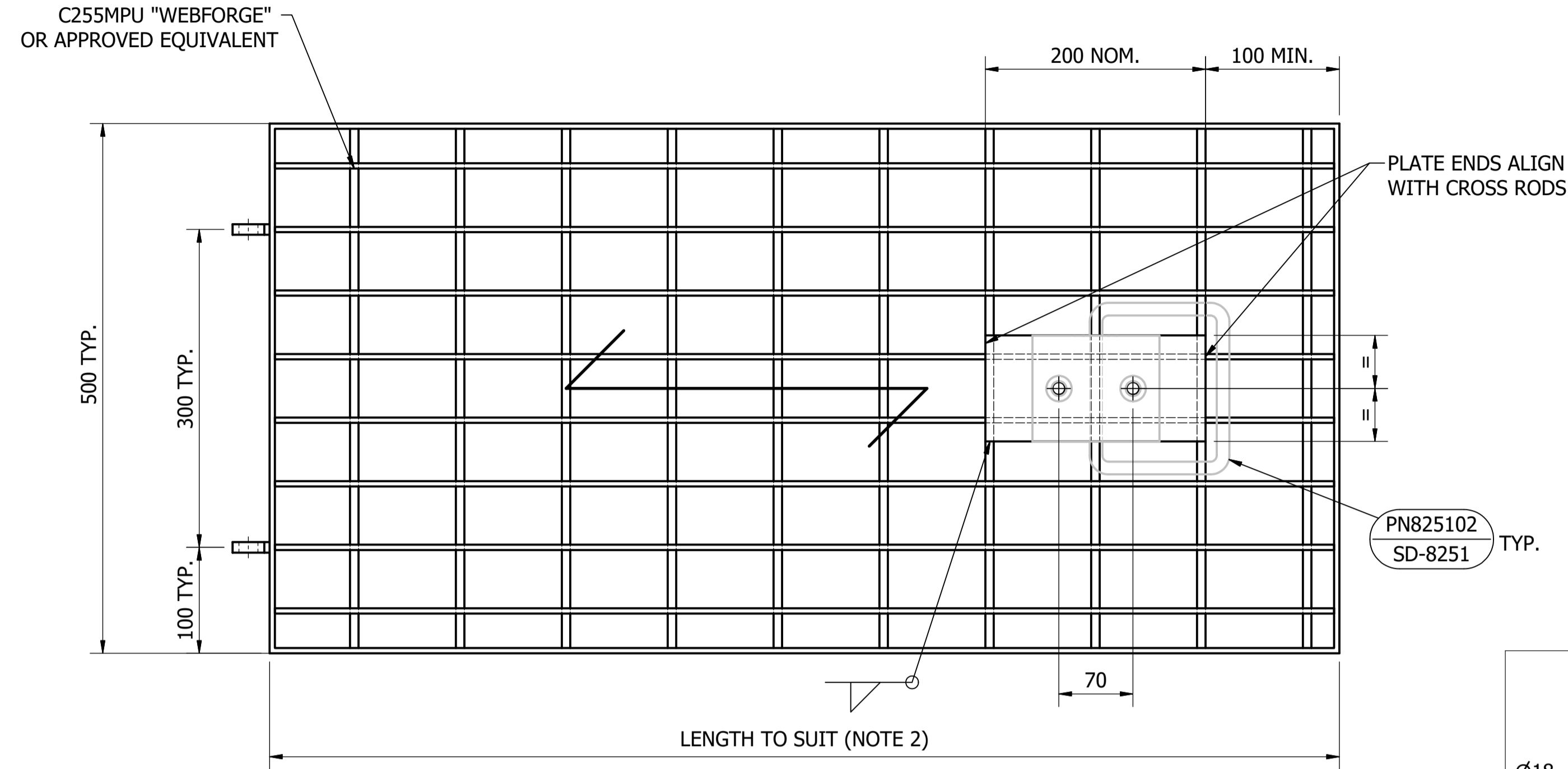
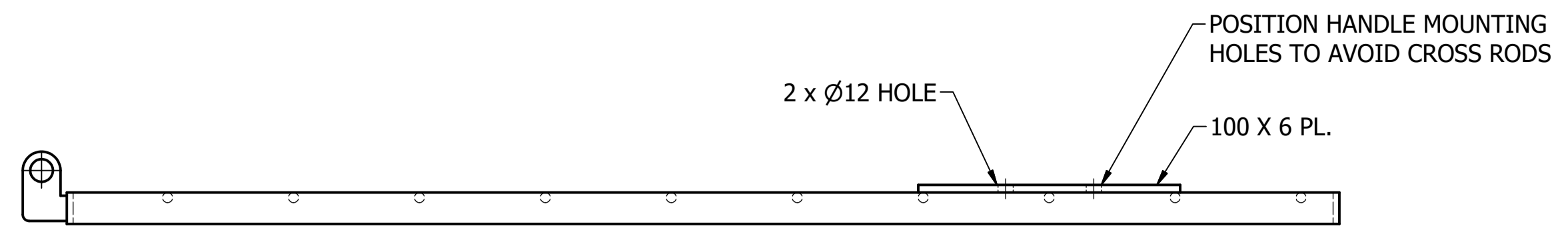


STANDARD DRAWING  
ACCESS COVERS - HOT DIP GALVANISED STEEL  
FIXED FRAME (FOLD FLAT) COVER  
FRAME DETAILS

DRAWING STATUS	Current
SD-8274-C	ISSUE A
© Icon Water 2017	

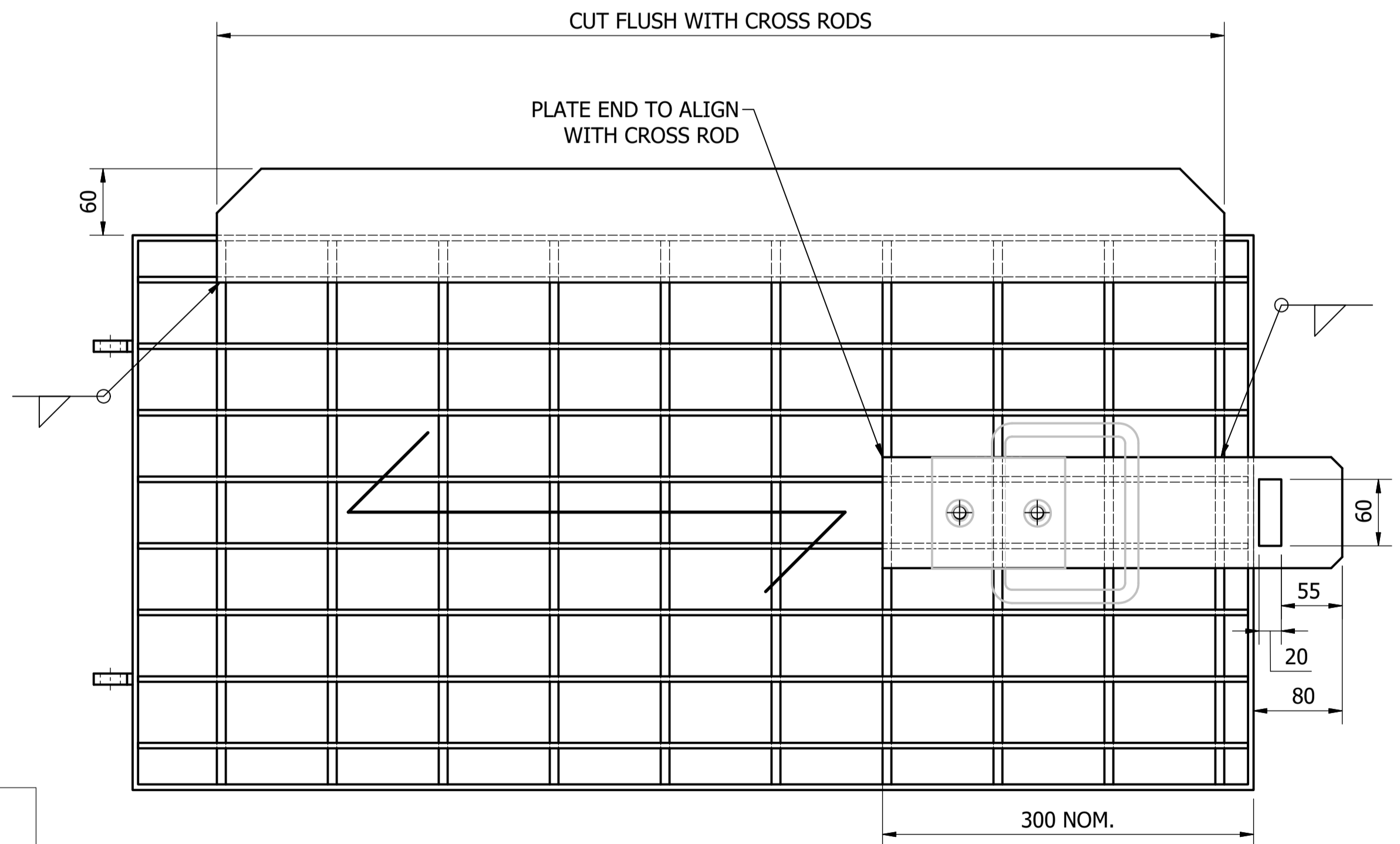
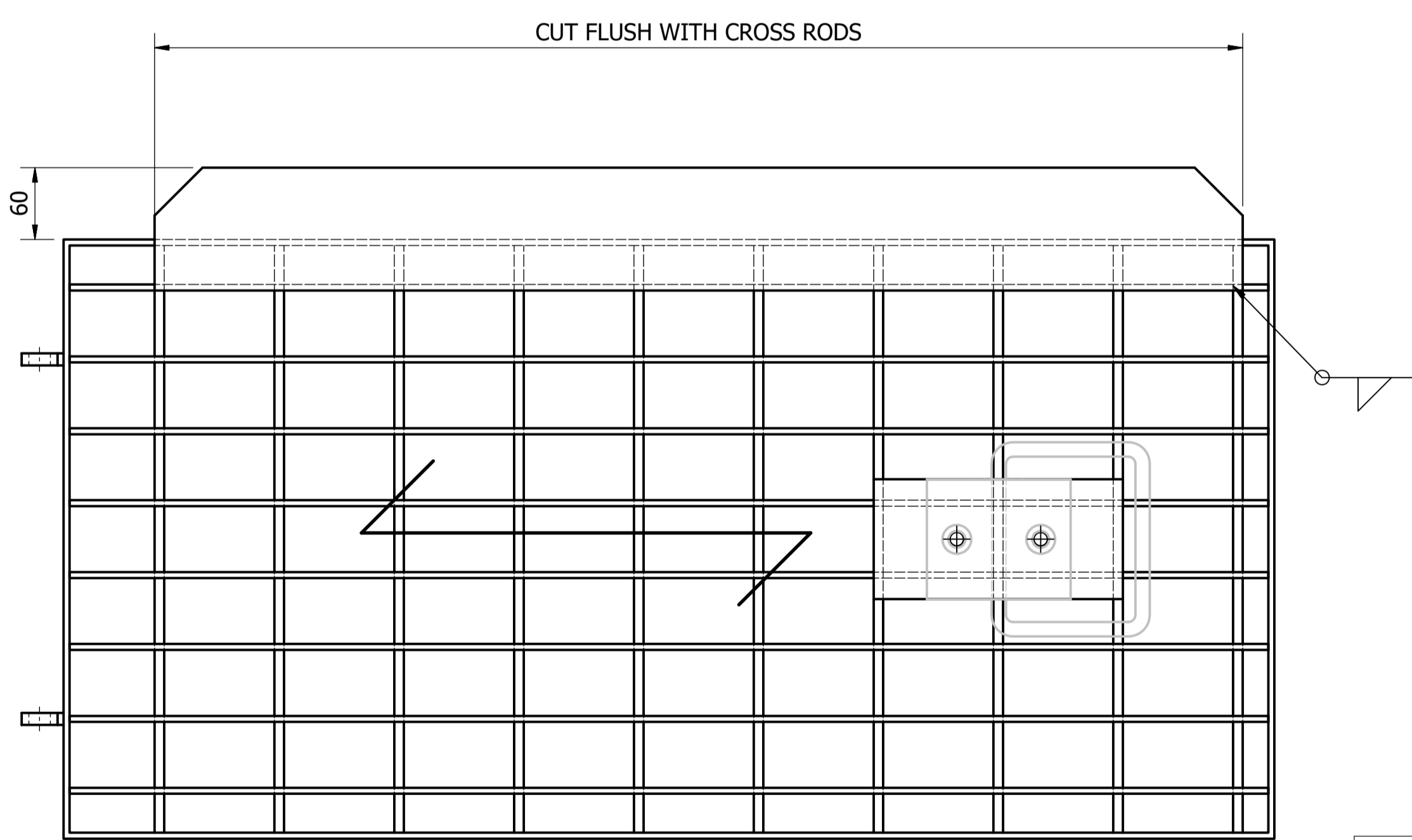
1 2 3 4 5 6 7 8 9 10 11 12

A B C D E F G H



ITEM	AMDT.
PN827501	

ITEM	AMDT.
PN827502	



ITEM	AMDT.
PN827503	

ITEM	AMDT.
PN827504	

**NOTES:**  
 1. GRATES TO BE HOT DIP GALVANISED AFTER FABRICATION.  
 2. MAXIMUM LENGTH OF THE PANEL IS BASED ON THE PANEL WEIGHT, WHICH MUST NOT EXCEED 20 kg.

ASSET AREA APPLICABILITY				
DAM	RES	SPS		
BWS	WAT	STP		
WTP	SEW			
WPS	REC			

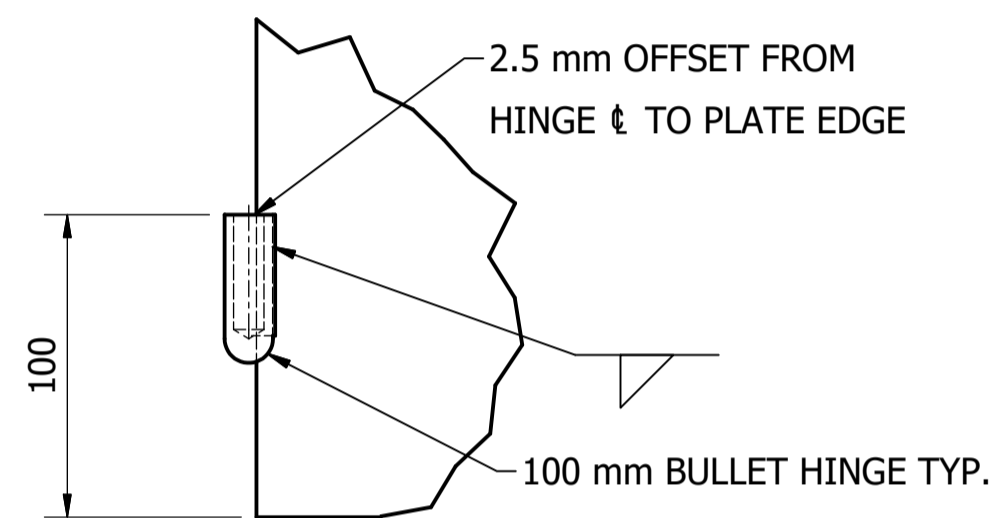
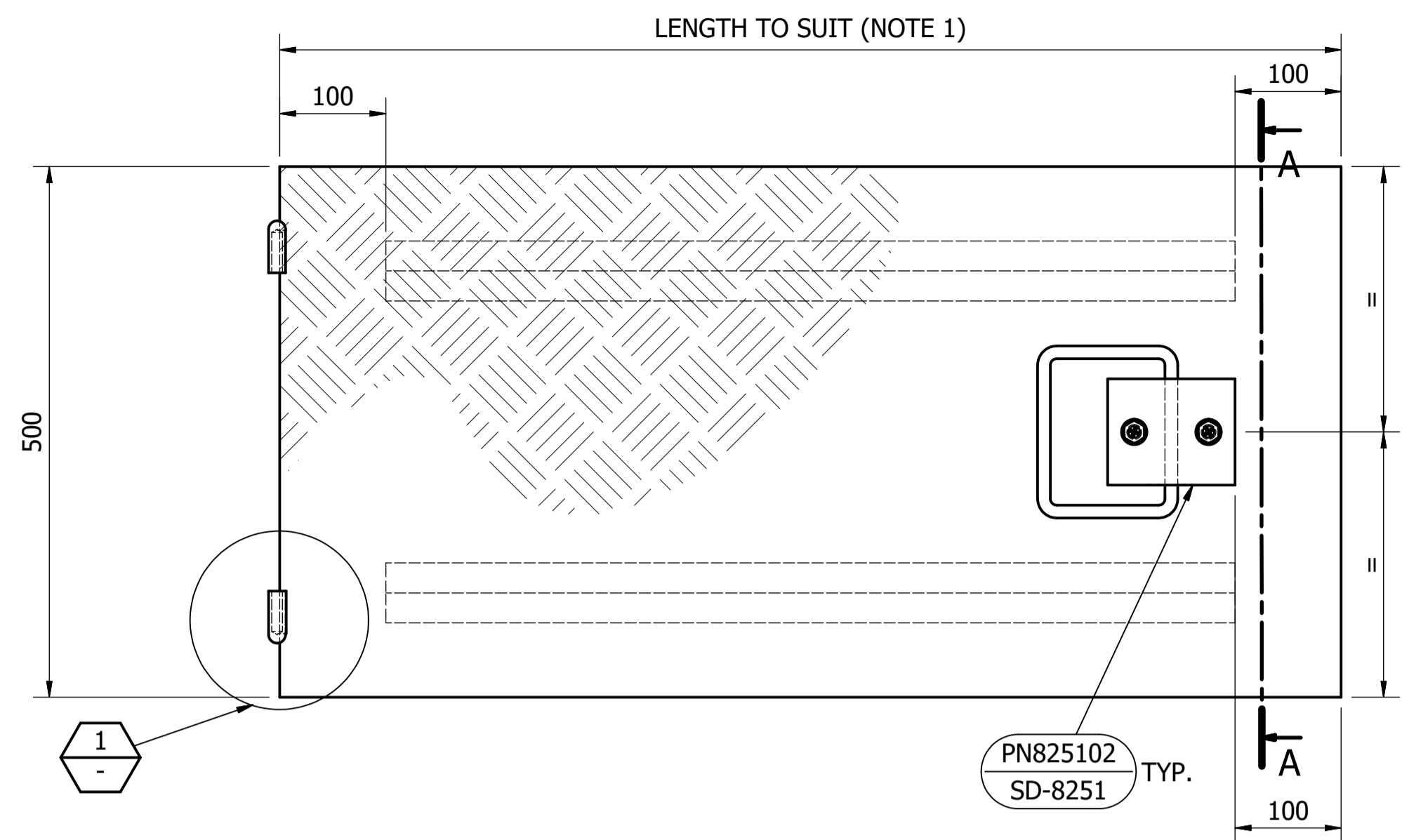


STANDARD DRAWING  
 ACCESS COVERS - HOT DIP GALVANISED STEEL  
 FIXED FRAME (FOLD FLAT) COVER  
 HINGED HATCH - GRATED  
 DETAILS

DRAWING STATUS  
**Current**  
**SD-8275-C**  
 © Icon Water 2017  
 ISSUE B

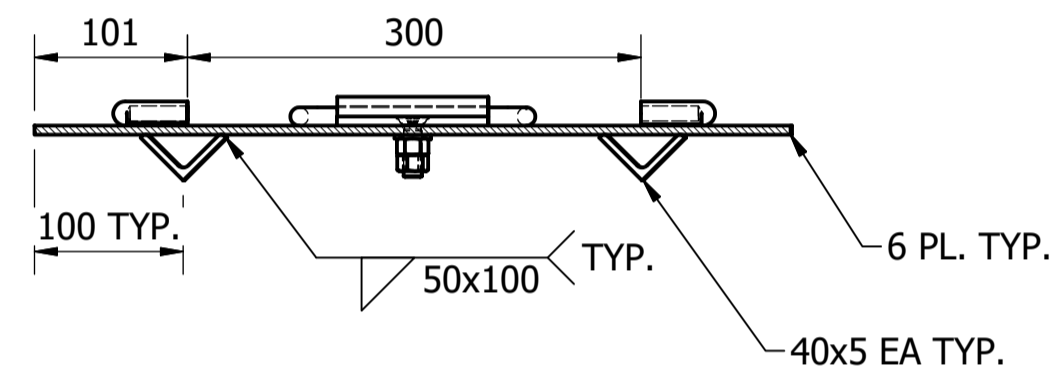
No.	ISSUE	DATE	DRAWN	CHECKED	AUTHORISED
A	INITIAL ISSUE	15/06/2018	S. Essery	K. Danenbergsons	D. Eager
B	PANEL LENGTH NOTE ADDED	10/12/2018	S. Essery	K. Danenbergsons	C. Patrick

1 2 3 4 5 6 7 8 9 10 11 12

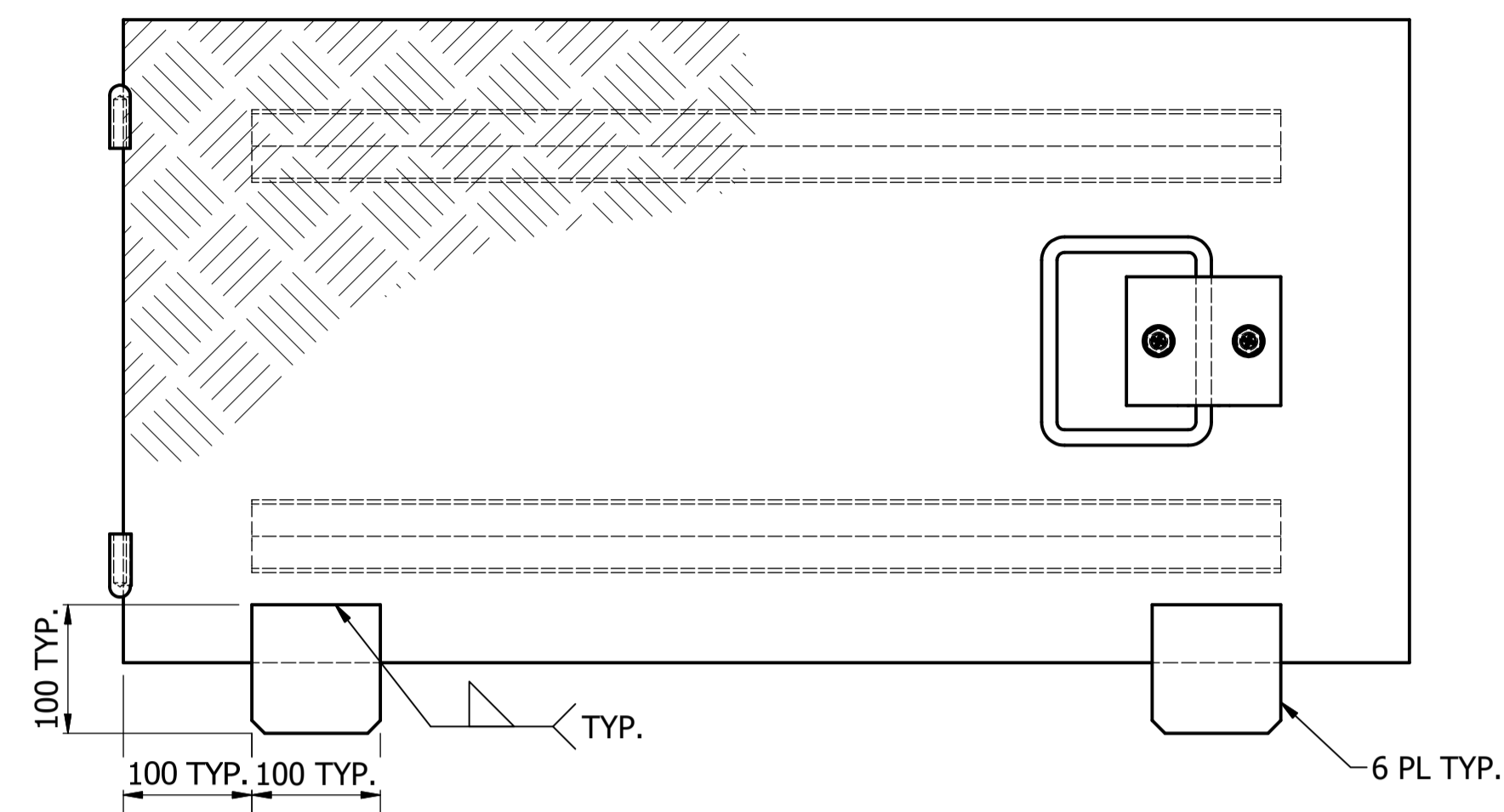


DETAIL 1  
HINGE

PN825102  
SD-8251 TYP.



SECTION A-A  
SCALE: 1 : 5

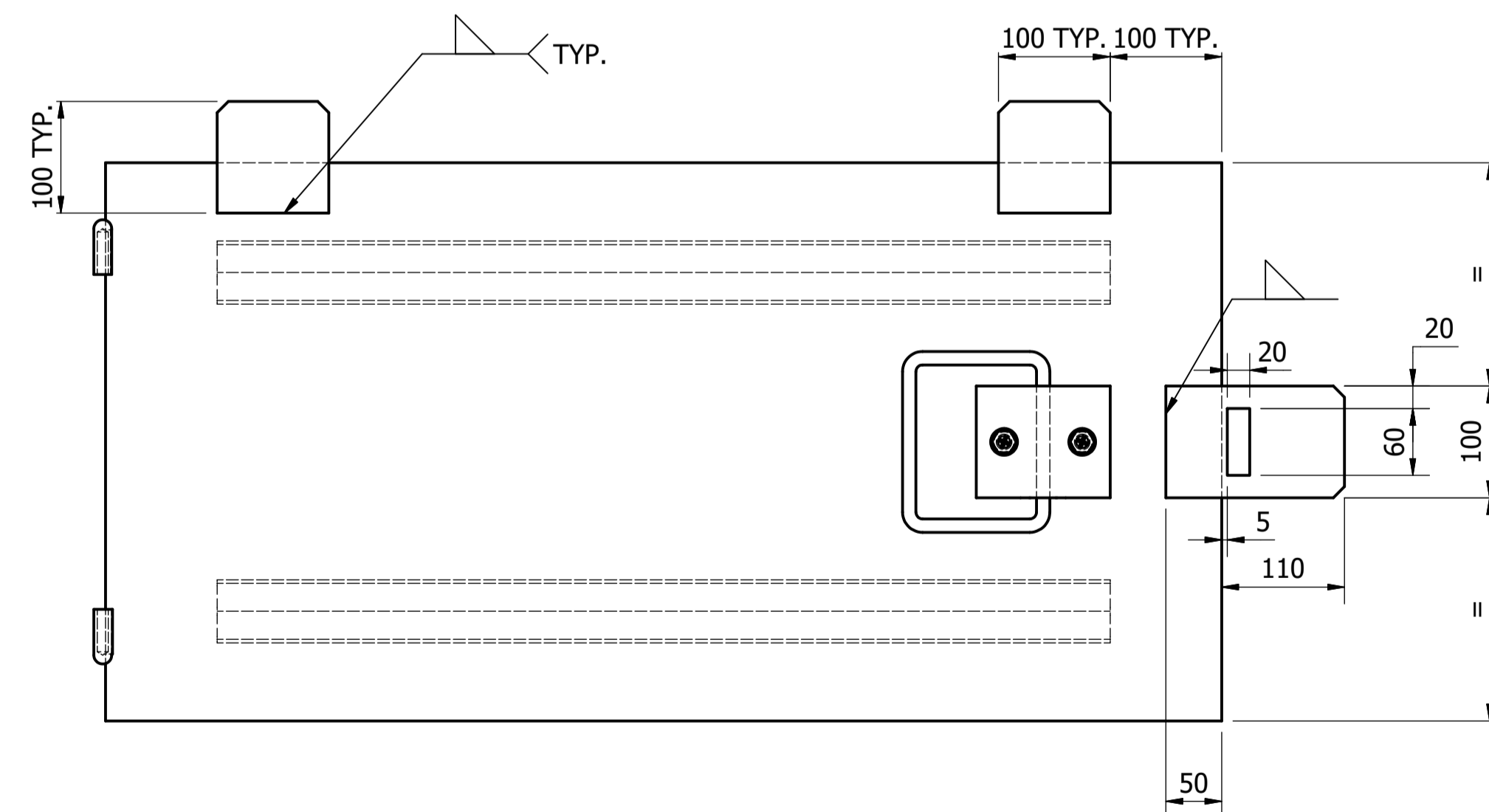
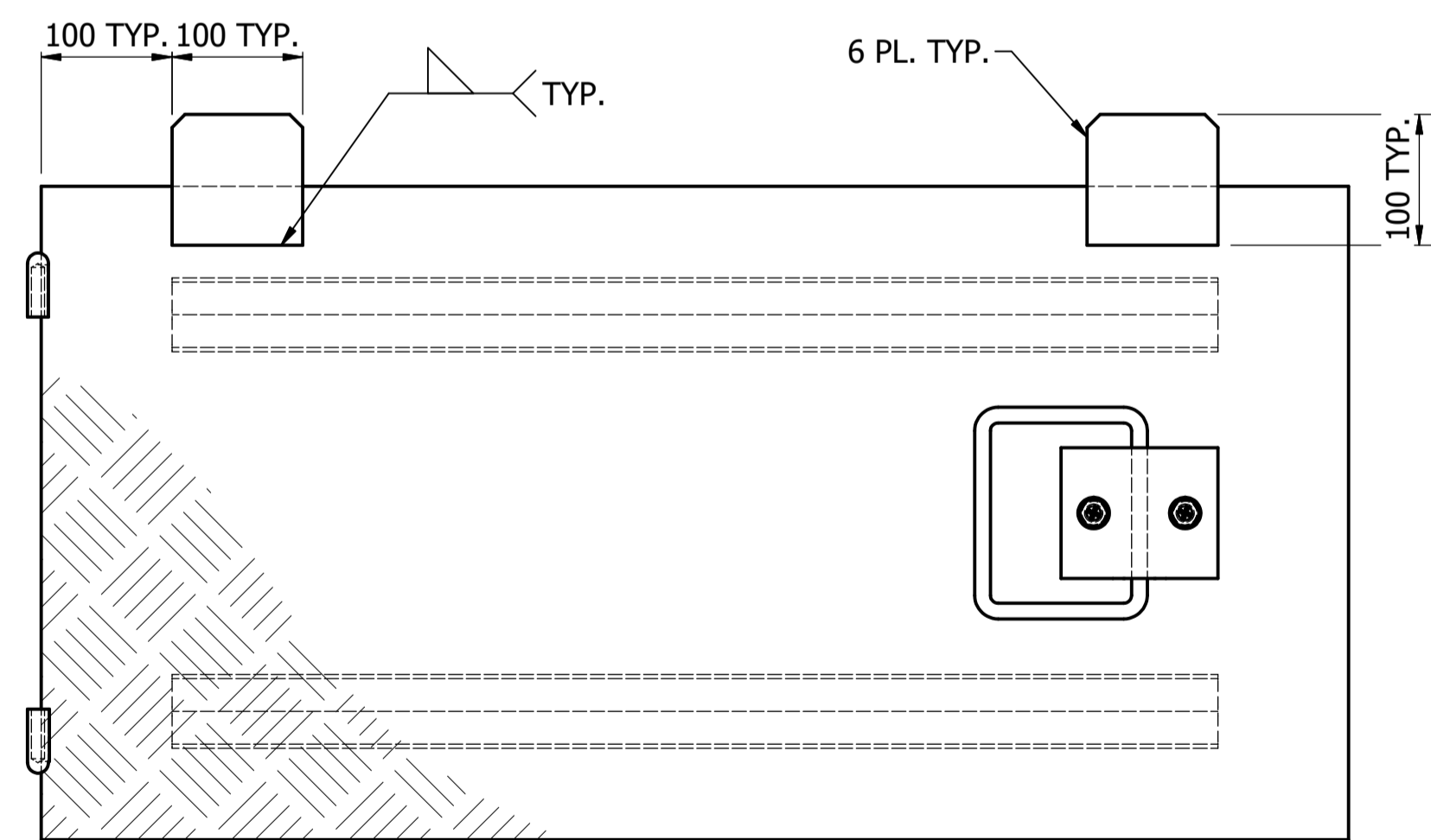


ITEM	AMDT.
PN827601	

ITEM	AMDT.
PN827602	

**NOTES:**

1. MAXIMUM LENGTH OF THE PANEL IS BASED ON THE PANEL WEIGHT, WHICH MUST NOT EXCEED 20 kg.



ITEM	AMDT.
PN827603	

ITEM	AMDT.
PN827604	

ASSET AREA APPLICABILITY				
DAM	RES	SPS		
BWS	WAT	STP		
WTP	SEW			
WPS	REC			



STANDARD DRAWING  
ACCESS COVERS - HOT DIP GALVANISED STEEL  
FIXED FRAME (FOLD FLAT) COVER  
HINGED HATCH - PLATE  
DETAILS

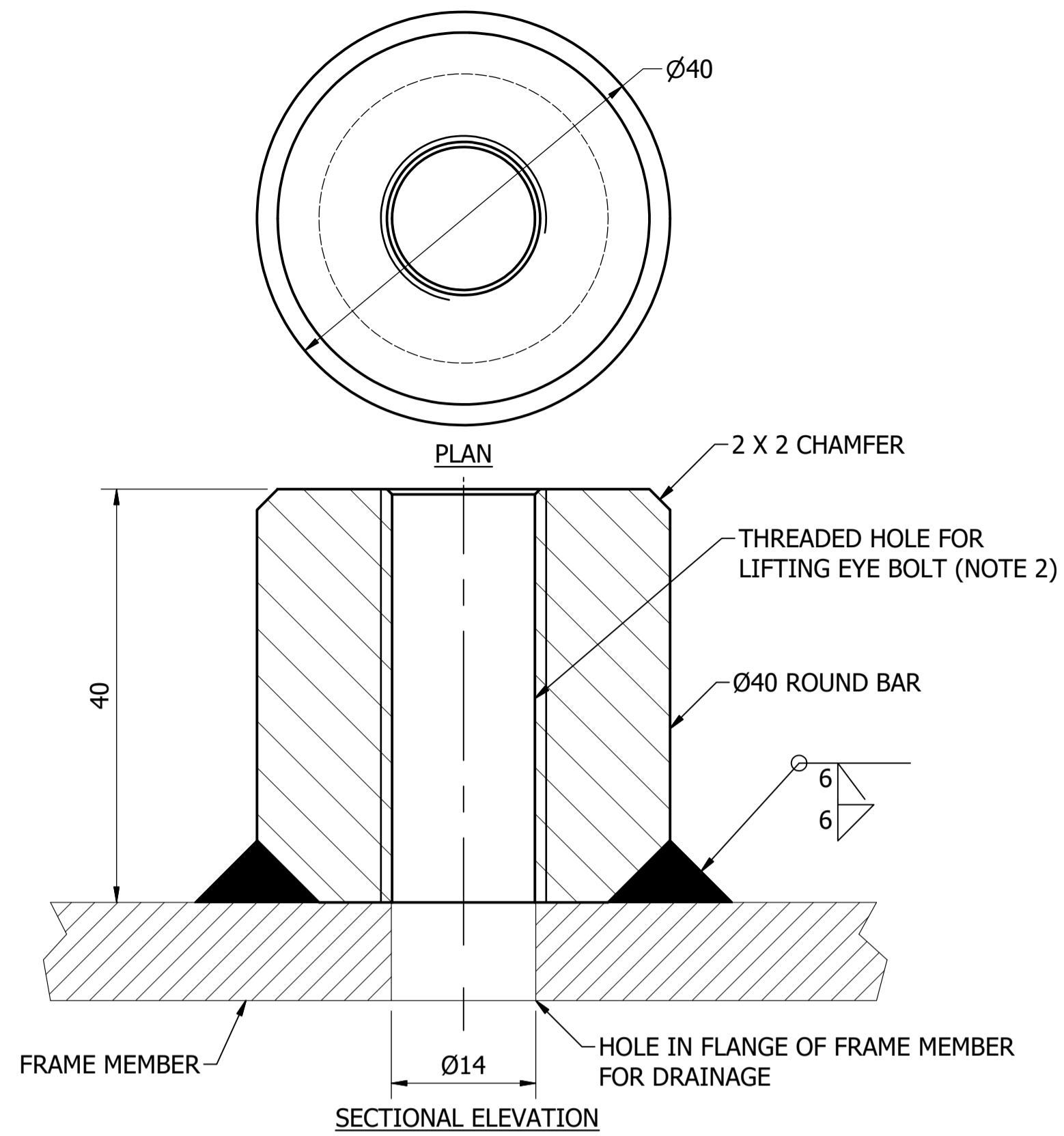
DRAWING STATUS  
Current

SD-8276-C

© Icon Water 2017

ISSUE  
B

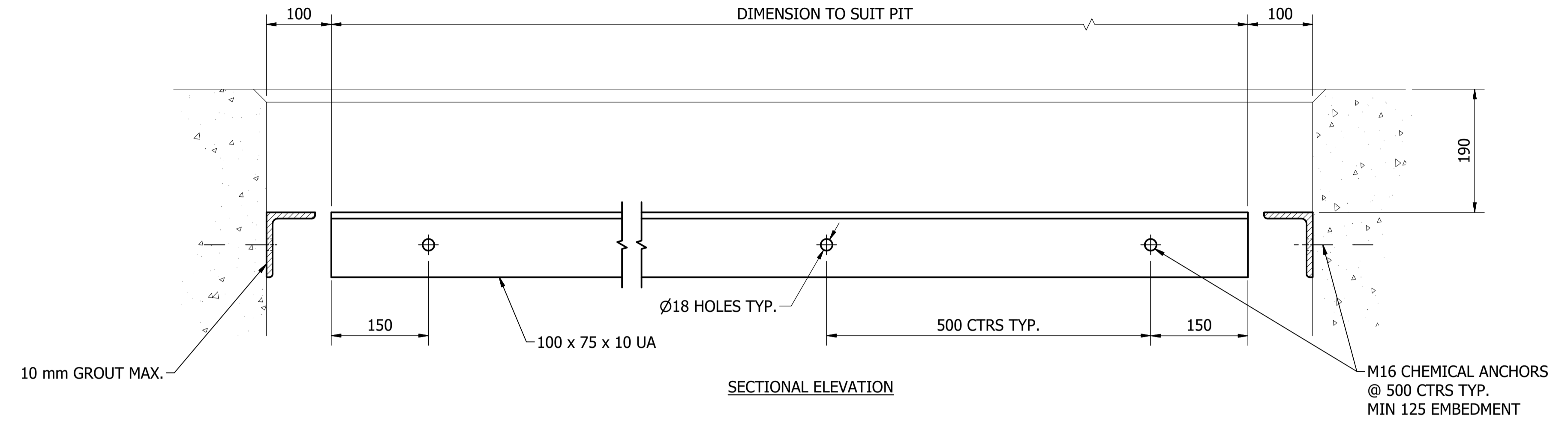
No.	ISSUE	DATE	DRAWN	CHECKED	AUTHORISED
A	INITIAL ISSUE	15/06/2018	S. Essery	K. Danenbergsons	D. Eager
B	PANEL LENGTH NOTE ADDED	10/12/2018	S. Essery	K. Danenbergsons	C. Patrick



**EYE BOLT RECEIVER - LIFTING**  
SCALE: 2 : 1

MATERIAL: CARBON STEEL  
COATING: HOT DIP GALVANISED (AS PART OF FINAL ASSEMBLY)  
FINISH COLOUR: N/A  
MASS: 0.5 kg

ITEM	AMDT.
PN828101	



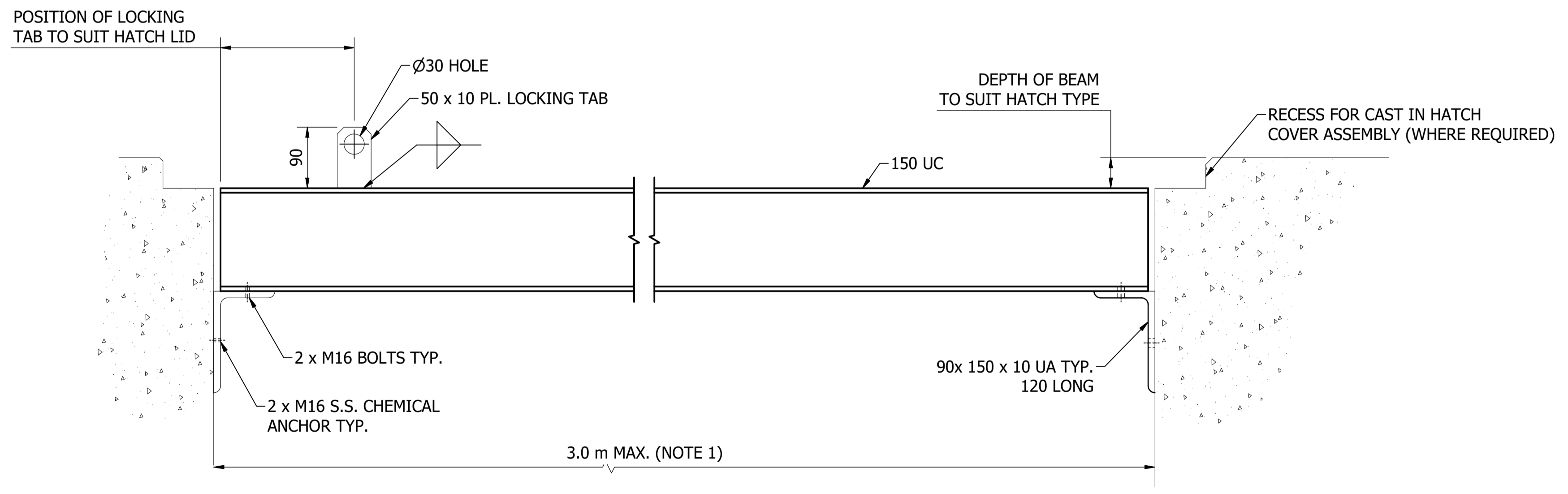
**DROP-IN COVER - FRAME SUPPORT ANGLE**  
DETAILS AND INSTALLATION  
SCALE: 1 : 5

MATERIAL: CARBON STEEL  
COATING: HOT DIP GALVANISED  
FINISH COLOUR: N/A  
MASS: VARIES

ITEM	AMDT.
PN828102	

**NOTES:**

1. THE CENTRE SUPPORT BEAM AND T-CLEAT DETAIL SHOWN SHALL ONLY BE USED FOR THE MAX. SPAN GIVEN UNLESS PROJECT SPECIFIC DESIGN CALCULATIONS ARE CONDUCTED BY A SUITABLY QUALIFIED/COMPETENT STRUCTURAL OR MECHANICAL ENGINEER.
2. EYE BOLT RECIEVER TO BE M16 COARSE THREAD AND IN ACCORDANCE WITH AS 2317.
3. ALL WELDS TO BE CATEGORY SP TO AS/NZS 1554. ELECTRODES TO BE "E43xx".



**CENTRE SUPPORT BEAM**  
SCALE: 1 : 5

MATERIAL: CARBON STEEL  
COATING: HOT DIP GALVANISED  
FINISH COLOUR: N/A  
MASS: APPROX. 50 kg @ 2 m LENGTH

ITEM	AMDT.
PN828103	

DAM	RES	SPS
BWS	WAT	STP
WTP	SEW	
WPS	REC	



STANDARD DRAWING  
ACCESS COVERS - HOT DIP GALVANISED STEEL  
DROP IN AND FIXED FRAME  
STANDARD PARTS  
DETAILS

DRAWING STATUS	
Current	
SD-8281-D	
A1	ISSUE A

No.	ISSUE	DATE	DRAWN	CHECKED	AUTHORISED
A	INITIAL ISSUE	15/06/2018	M. Matusiak	K. Danenbergsons	D. Eager